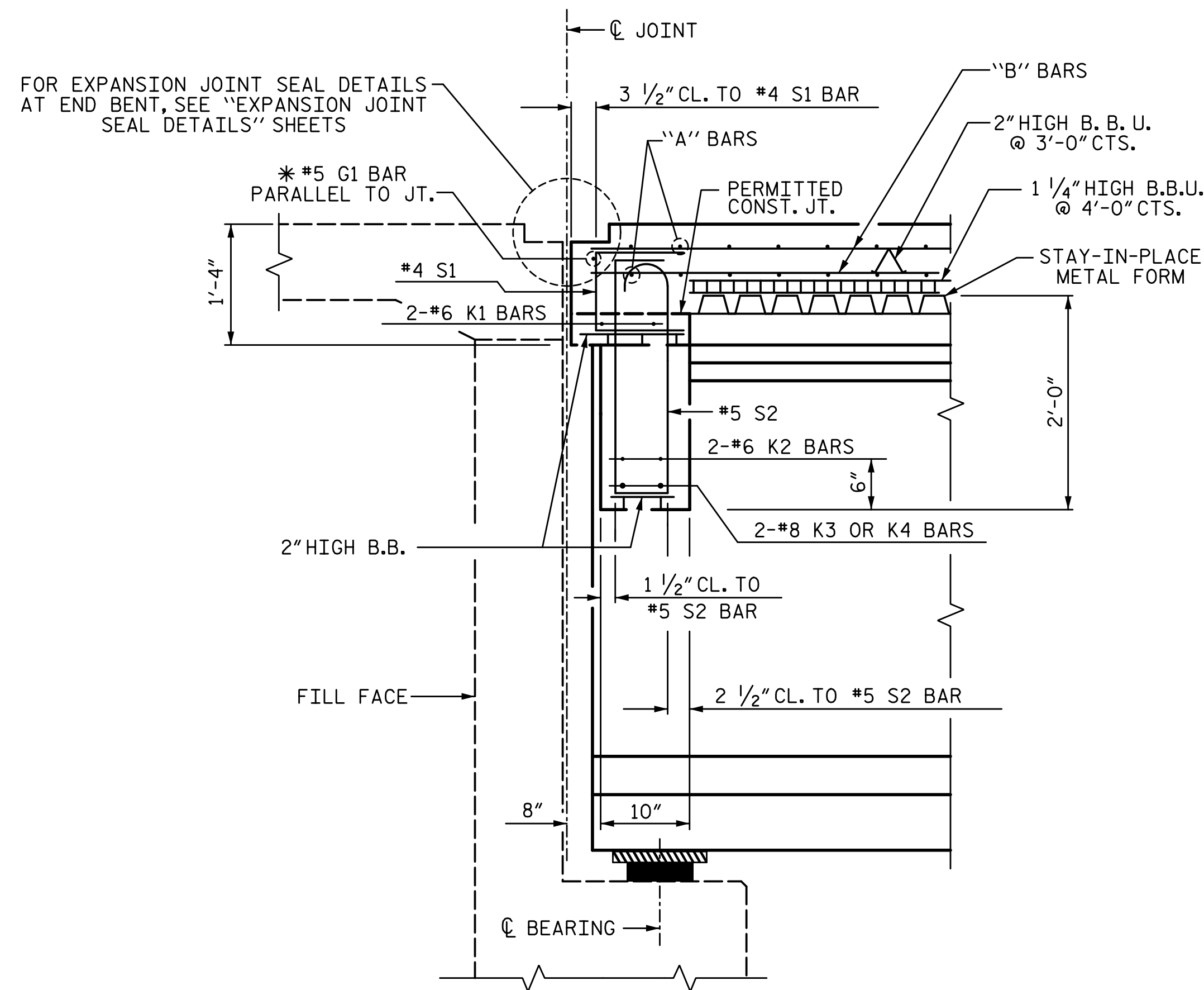
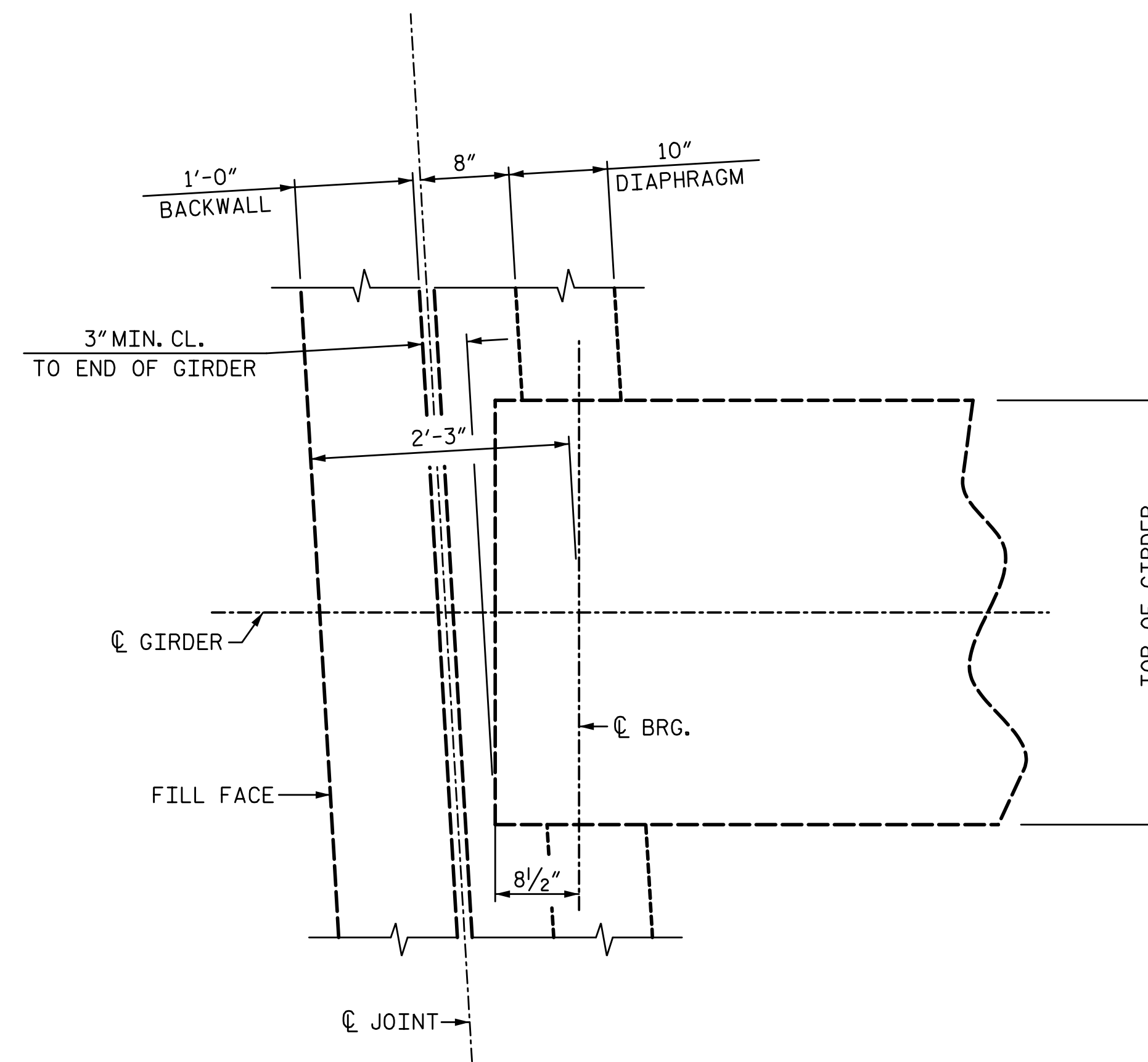


9/13/2017 1:16:30 PM G:\Projects\2016\U-2525C (Greensboro Eastern Loop)\Drawings\Final\Left Lane\U2525C_Smu_TS_Site 8.L.T.dgn



SECTION THRU DIAPHRAGM @ END BENTS

(* #5 G1 BAR MAY BE SHIFTED SLIGHTLY, AS NECESSARY, TO CLEAR REINFORCING STEEL AND STIRRUPS)



PLAN OF DIAPHRAGM

(END BENT 1 SHOWN, END BENT 2 SIMILAR)

PROJECT NO. U-2525C
GUILFORD COUNTY
 STATION: 470+43.12 -L-

SHEET 2 OF 2

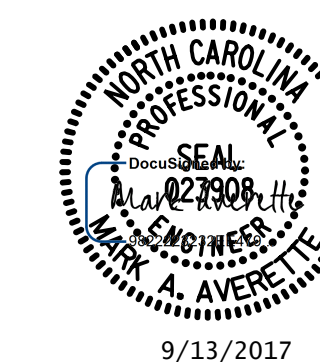
STATE OF NORTH CAROLINA
 DEPARTMENT OF TRANSPORTATION
 RALEIGH
 SUPERSTRUCTURE

TYPICAL SECTION

LEFT LANE

DRAWN BY: S.D. COOPER DATE: 8-17
 CHECKED BY: M.A. AVERETTE DATE: 8-17
 DESIGN ENGINEER OF RECORD: M.A. AVERETTE DATE: 8-17

PLANS PREPARED BY:
SE & A
 SIMPSON ENGINEERS ASSOCIATES
 5640 Dillard Drive
 Suite 200
 Cary, NC 27518
 (919) 852-0468
 (919) 852-0598 (Fax)
 www.simpsonengr.com
 LICENSURE NO. C-2521



9/13/2017

REVISIONS

NO.	BY:	DATE:	NO.	BY:	DATE:	SHEET NO.
1			3			TOTAL SHEETS
2			4			32

**DOCUMENT NOT CONSIDERED FINAL
 UNLESS ALL SIGNATURES COMPLETED**