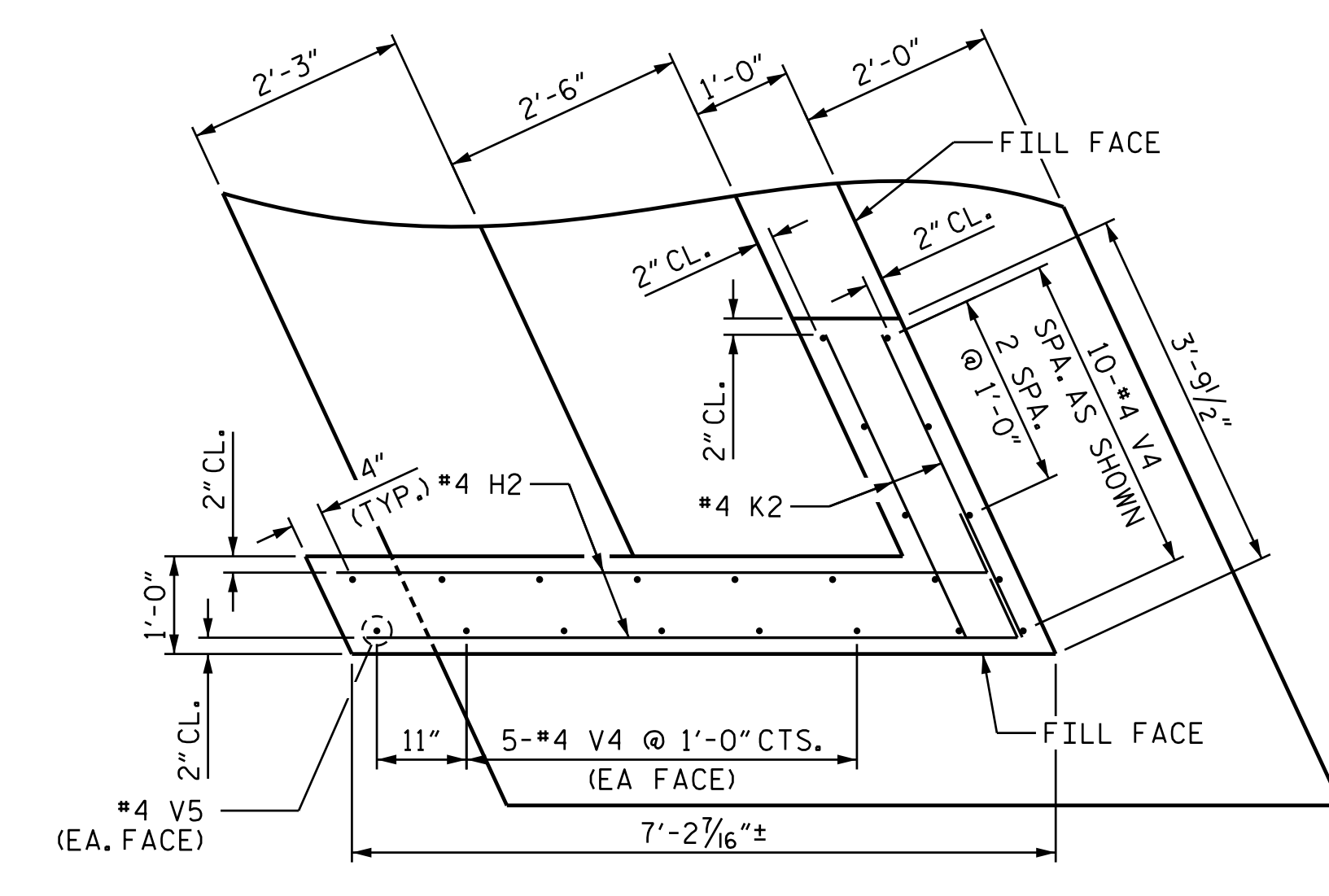
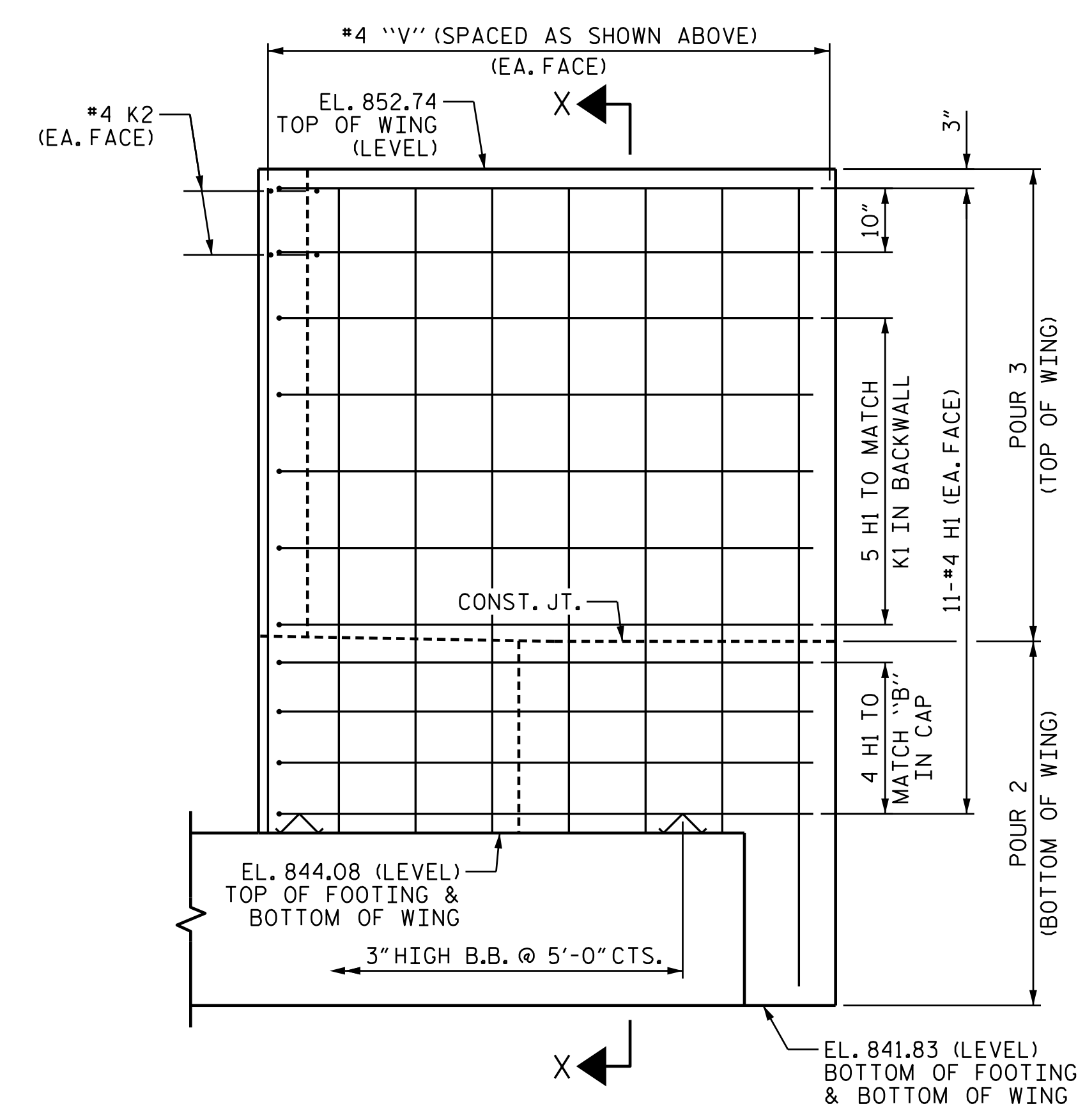


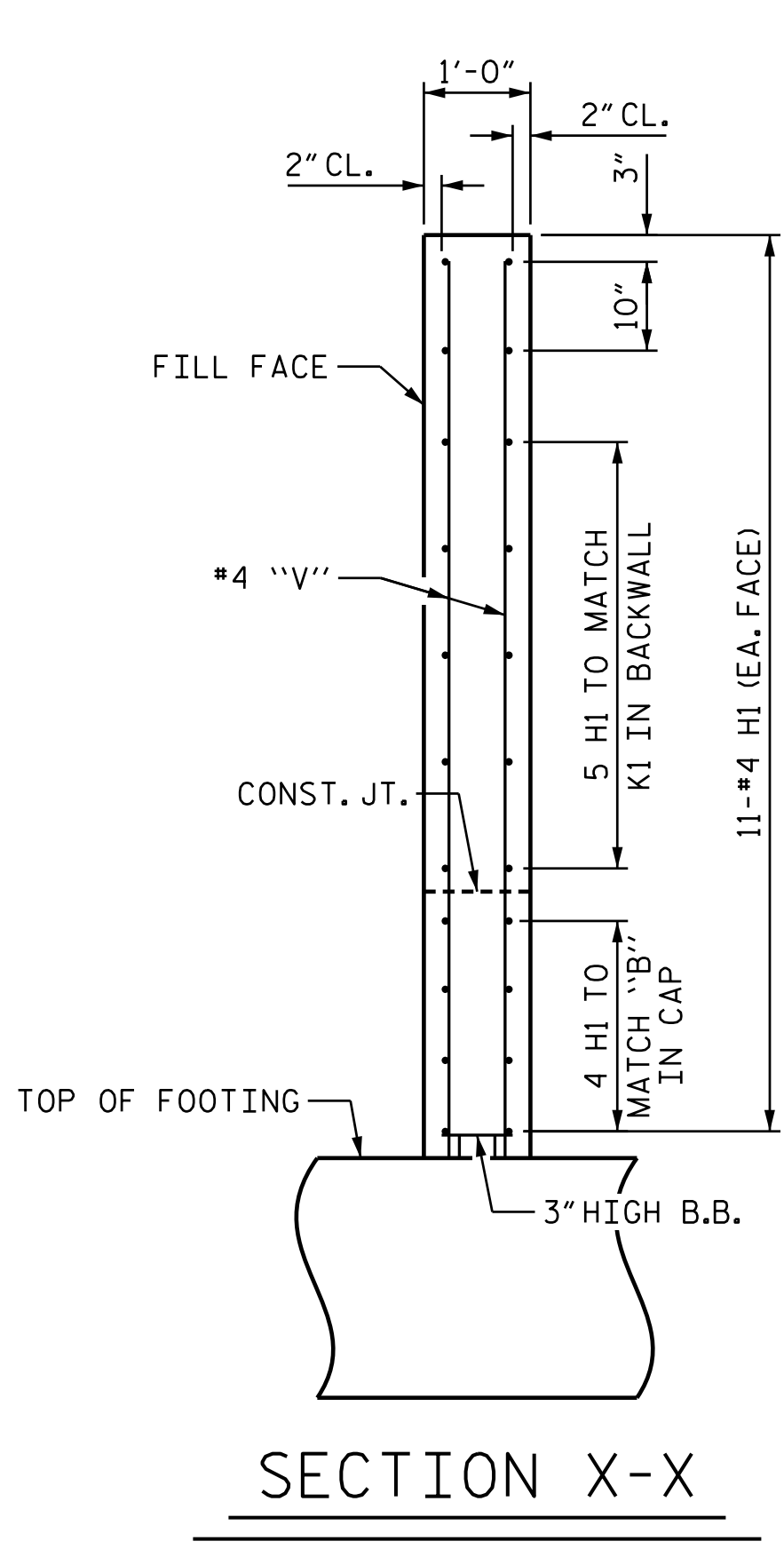
PLAN OF WING 3



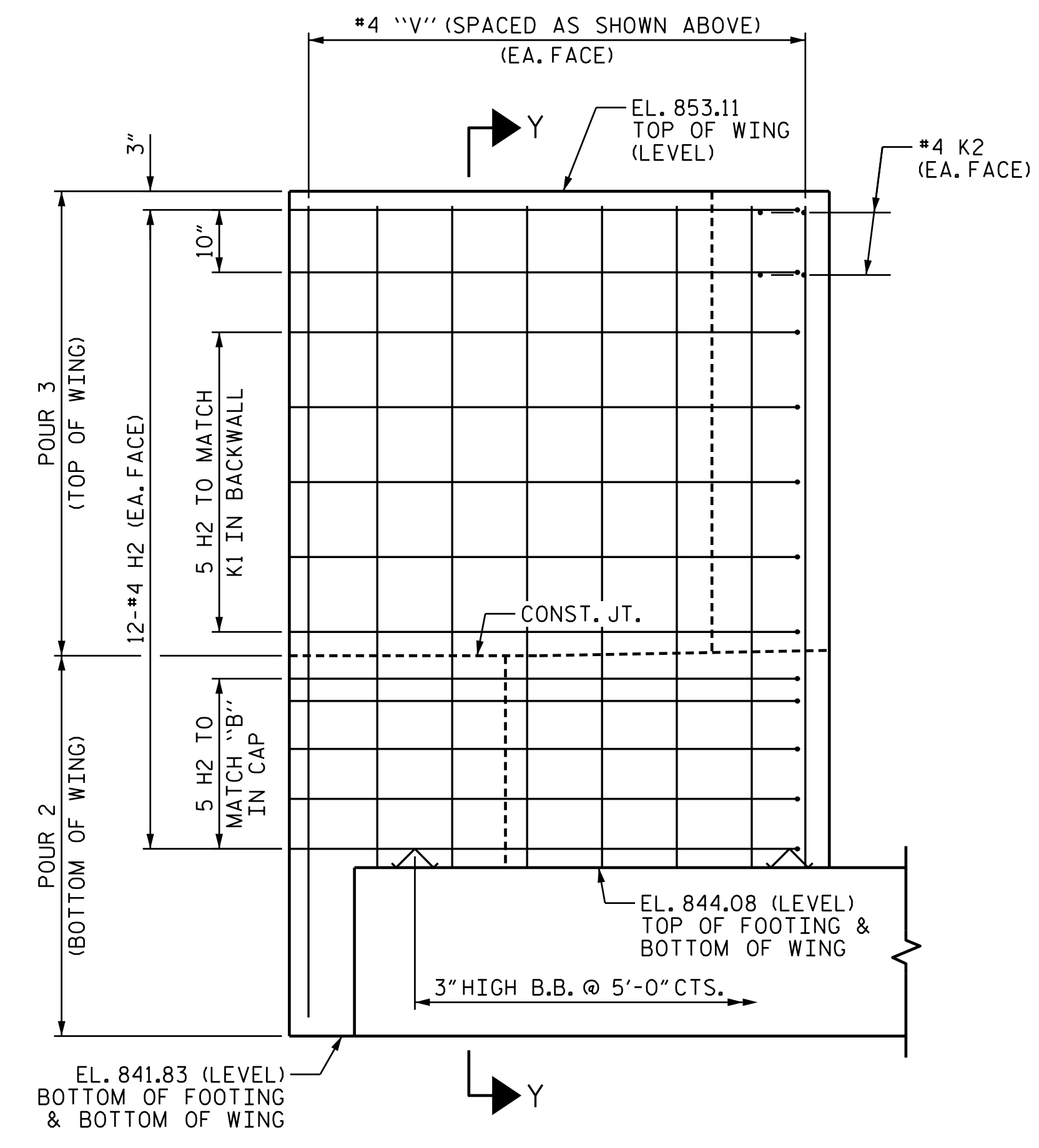
PLAN OF WING 4



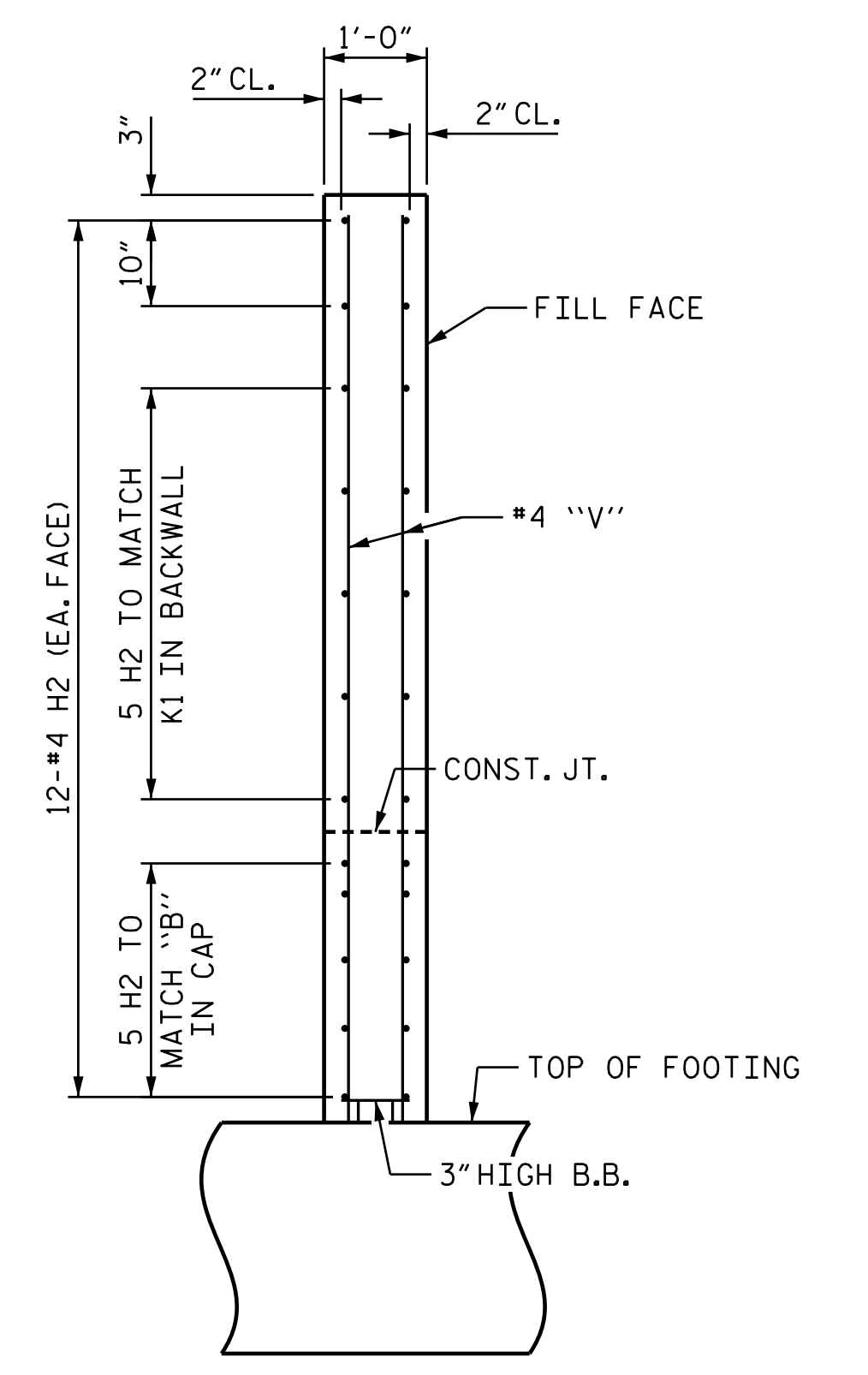
ELEVATION OF WING 3



SECTION X-X



ELEVATION OF WING 4

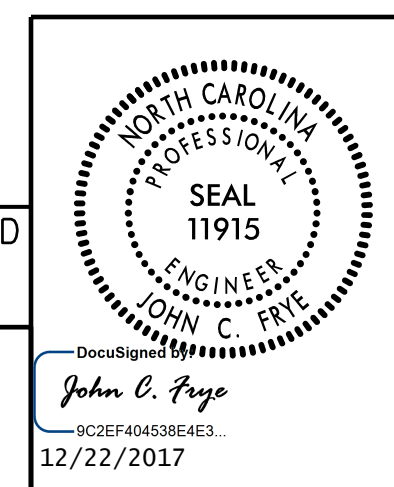


SECTION Y-Y

PROJECT NO. U-2525C
 GUILFORD COUNTY
 STATION: 22+29.98 -Y5-

SHEET 2 OF 3

STATE OF NORTH CAROLINA
 DEPARTMENT OF TRANSPORTATION
 RALEIGH
 SUBSTRUCTURE
 END BENT 2



DOCUMENT NOT CONSIDERED FINAL UNLESS ALL SIGNATURES COMPLETED
 PLANS PREPARED BY:
 MOTT MACDONALD
 PO Box 700
 Fuquay-Varina, NC 27526
 (919) 552-2253
 www.mottmac.com
 LICENSE NO. F-0669

REVISIONS						SHEET NO.
NO.	BY:	DATE:	NO.	BY:	DATE:	S7-24
1			3			TOTAL SHEETS
2			4			28

12/21/2017 11:21:07 AM
 I:\Projects\17-011\Drawings\17-011-Substructure\17-011-Substructure.dgn
 12/21/2017 11:21:07 AM

DRAWN BY: R. H. BRAINARD DATE: 11-2017
 CHECKED BY: J. E. MONDOLFI DATE: 11-2017
 DESIGN ENGINEER OF RECORD: J. E. MONDOLFI DATE: 12-2017