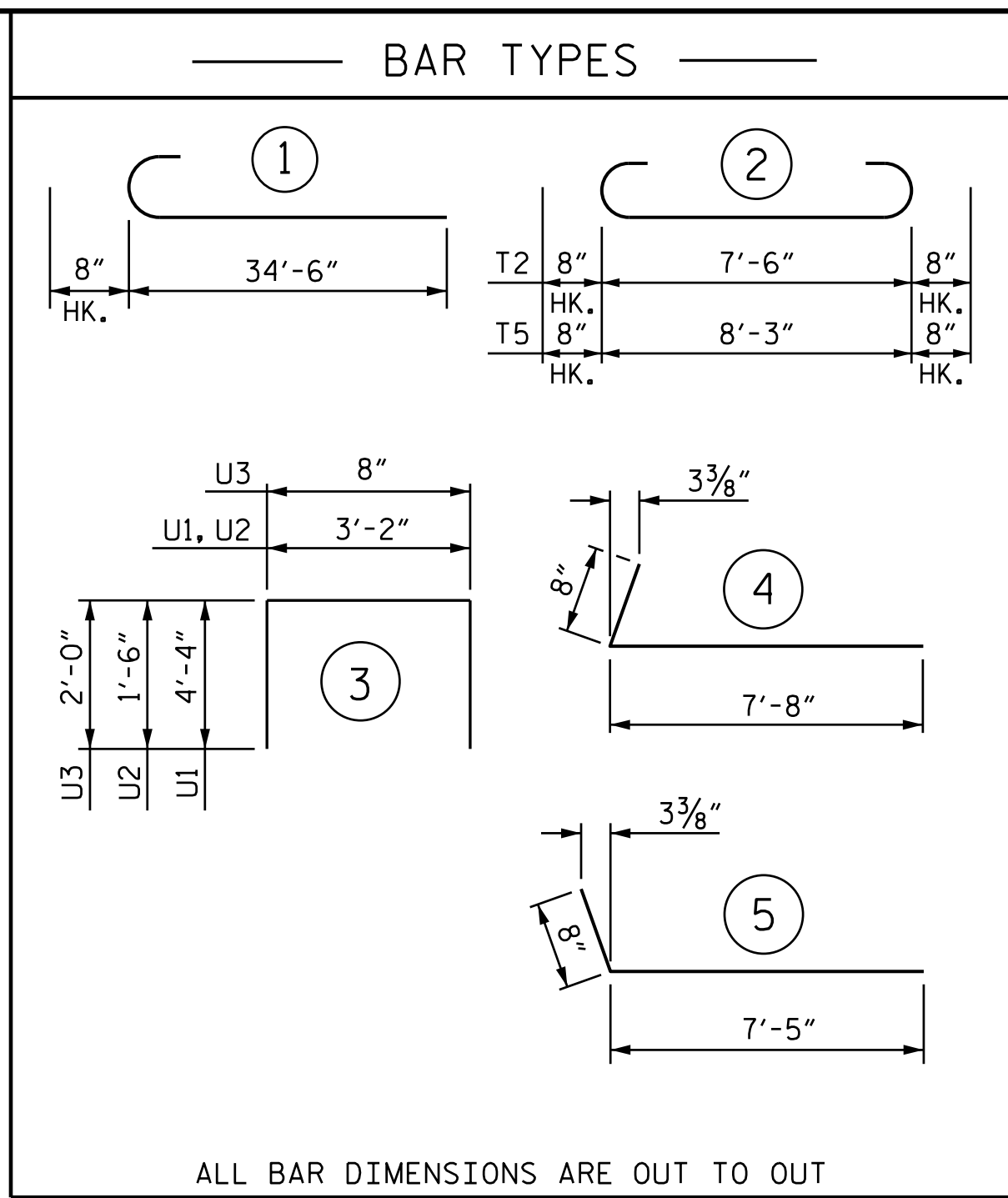
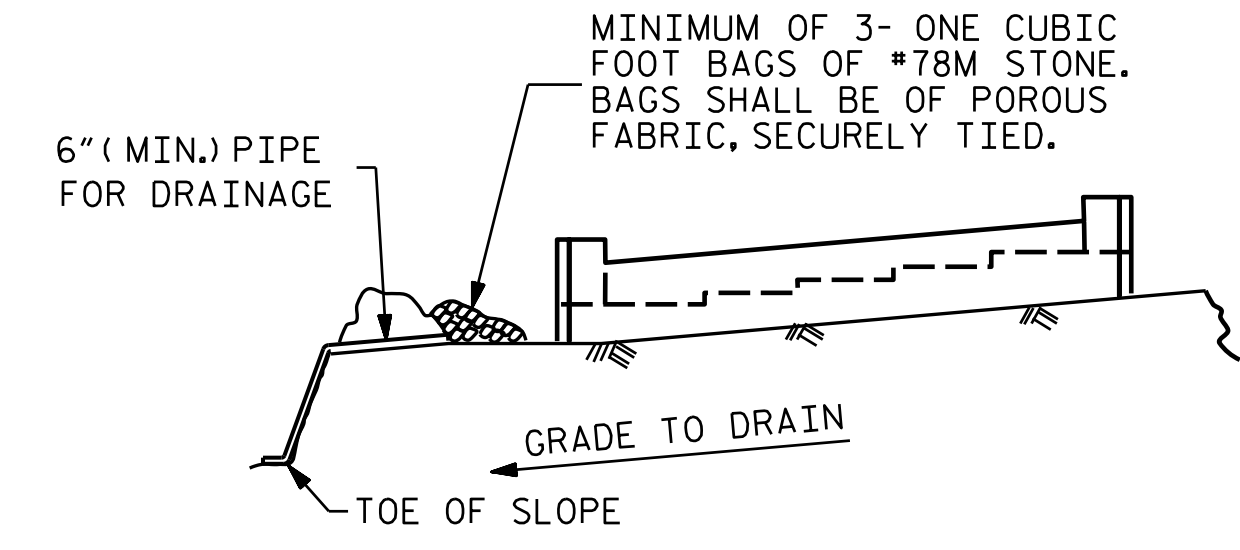


PLAN OF FOOTING



ALL BAR DIMENSIONS ARE OUT TO OUT

BILL OF MATERIAL					
END BENT 1					
BAR	NO.	SIZE	TYPE	LENGTH	WEIGHT
B1	8	#9	STR	35'-10"	975
B2	18	#4	STR	22'-7"	272
B3	8	#4	STR	17'-11"	96
B4	8	#4	STR	3'-1"	16
B5	1	#4	STR	3'-2"	2
H1	22	#4	4	8'-4"	122
H2	24	#4	5	8'-1"	130
K1	30	#4	STR	22'-7"	453
K2	8	#4	STR	3'-5"	18
T1	16	#6	1	35'-2"	845
T2	69	#6	2	8'-10"	915
T3	16	#5	STR	34'-7"	577
T4	69	#5	STR	7'-6"	540
T5	2	#6	2	9'-7"	29
T6	2	#5	STR	8'-3"	17
U1	61	#5	3	11'-10"	753
U2	25	#4	3	6'-2"	103
U3	55	#4	3	4'-8"	171
V1	110	#5	STR	6'-9"	774
V2	20	#4	STR	8'-7"	115
V3	4	#4	STR	10'-7"	28
V4	22	#4	STR	9'-0"	132
V5	2	#4	STR	11'-0"	15
REINFORCING STEEL =					7,098 LBS
CLASS A CONCRETE: POUR #1: FOOTING					44.4 CY
POUR #2: CAP & BOTTOM OF WINGS					23.6 CY
POUR #3: BACKWALL & TOP OF WINGS					14.4 CY
CLASS A CONCRETE TOTAL:					82.4 CY

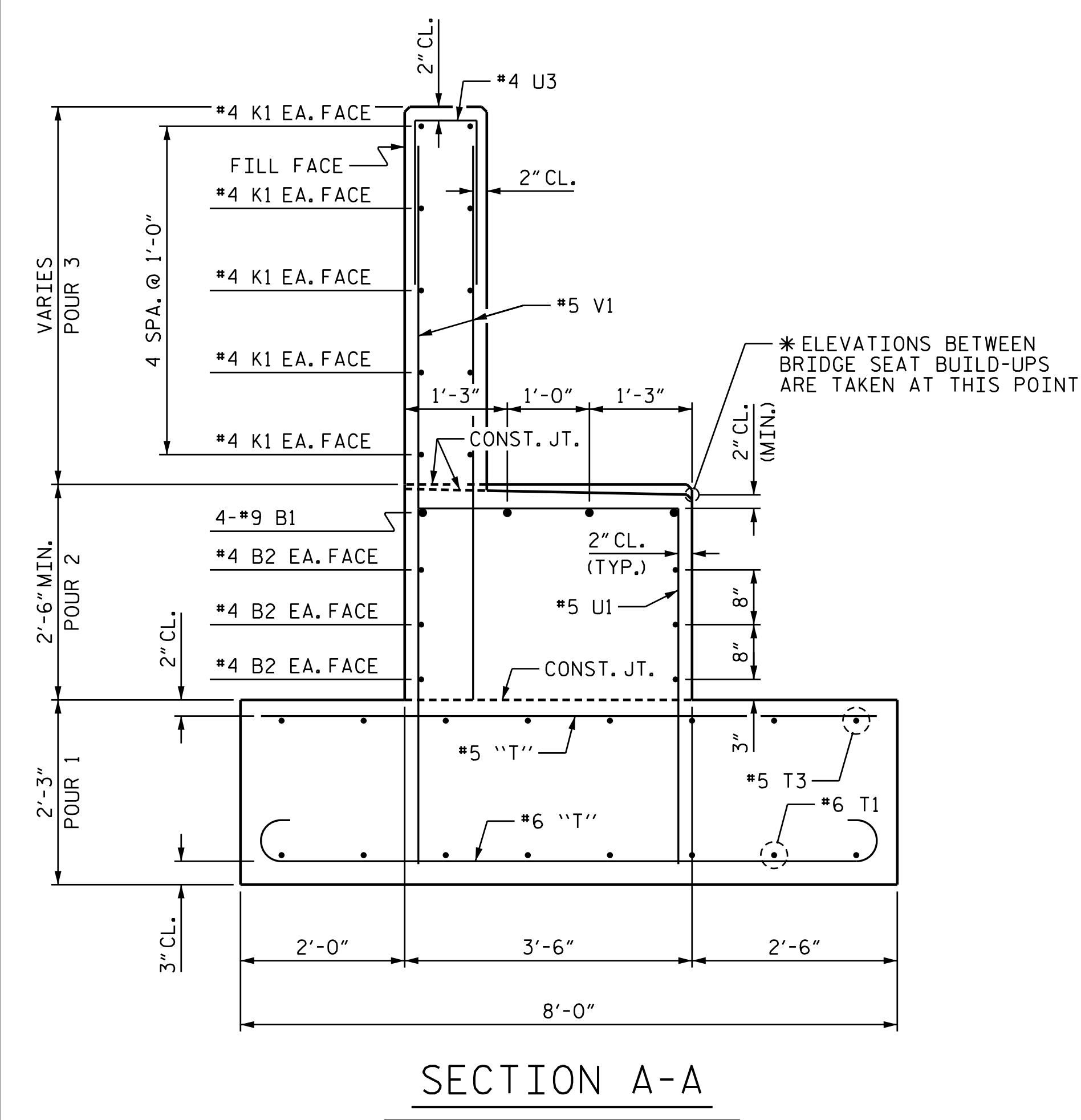


BAGGED STONE AND PIPE SHALL BE PLACED IMMEDIATELY AFTER COMPLETION OF END BENT EXCAVATION. PIPE MAY BE EITHER CONCRETE, CORRUGATED STEEL, CORRUGATED ALUMINUM ALLOY, OR CORRUGATED PLASTIC. PERFORATED PIPE WILL NOT BE ALLOWED.

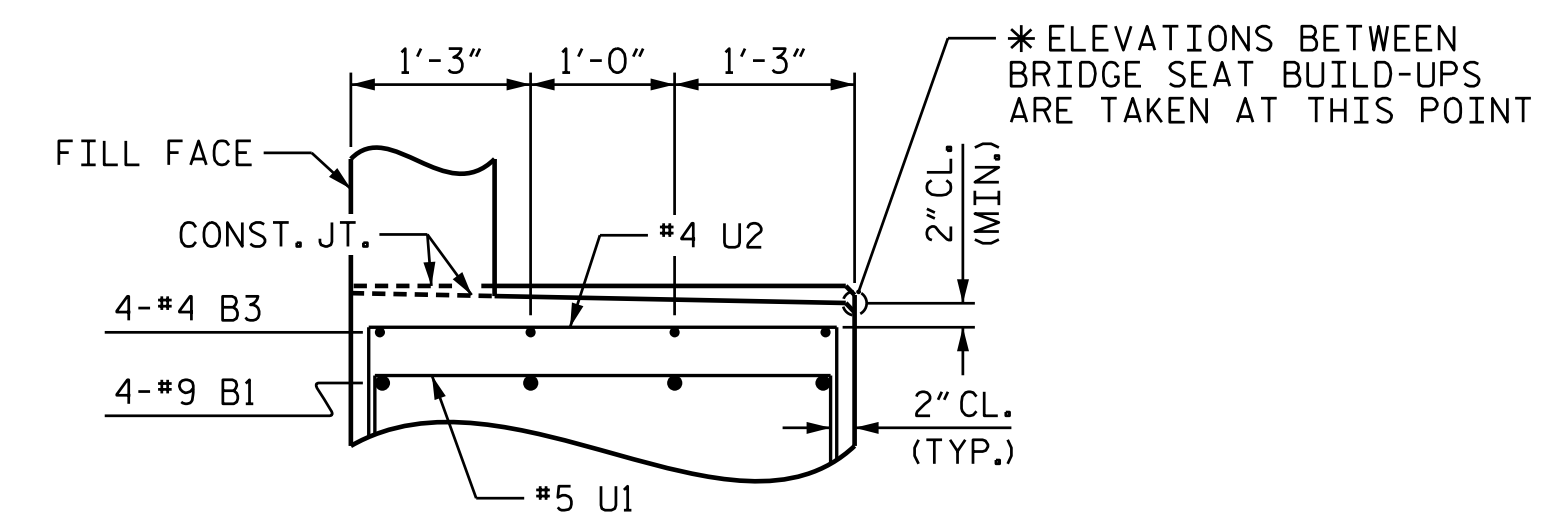
BAGGED STONE SHALL REMAIN IN PLACE UNTIL THE ENGINEER DIRECTS THAT IT BE REMOVED. THE CONTRACTOR SHALL REMOVE AND DISPOSE OF SILT ACCUMULATIONS AT BAGGED STONE WHEN SO DIRECTED BY THE ENGINEER. BAGS SHALL BE REMOVED AND REPLACED WHENEVER THE ENGINEER DETERMINES THAT THEY HAVE DETERIORATED AND LOST THEIR EFFECTIVENESS.

NO SEPARATE PAYMENT WILL BE MADE FOR THIS WORK AND THE ENTIRE COST OF THIS WORK SHALL BE INCLUDED IN THE UNIT CONTRACT PRICE BID FOR THE SEVERAL PAY ITEMS.

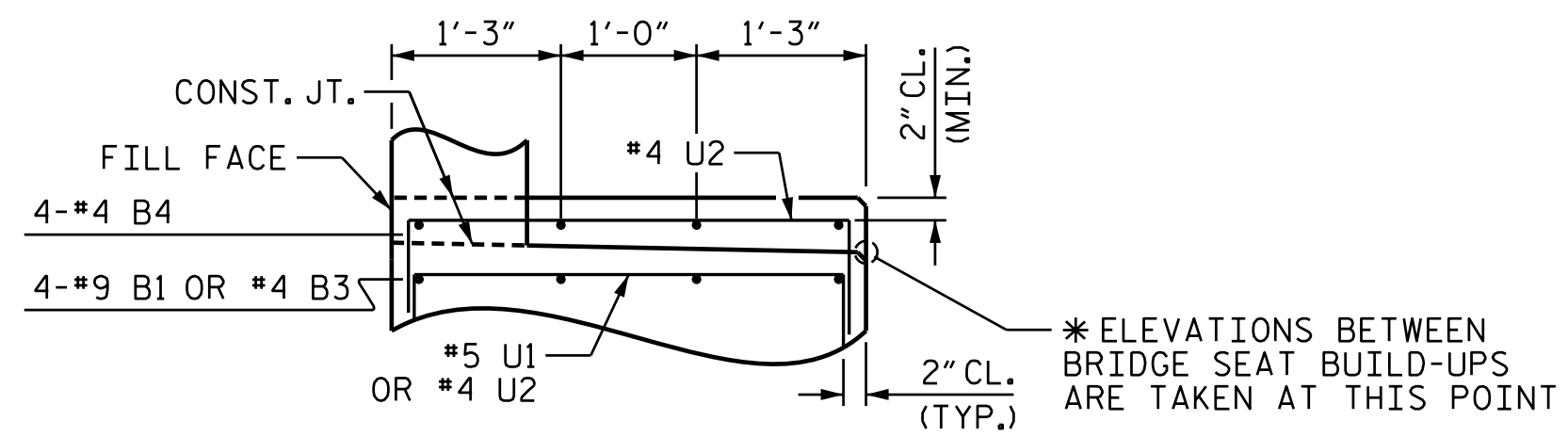
TEMPORARY DRAINAGE AT END BENT



SECTION A-A



SECTION B-B

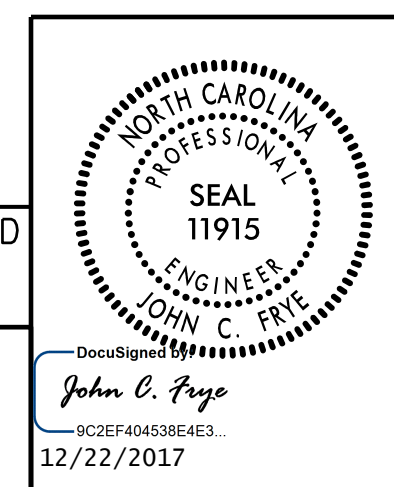


SECTION C-C

PROJECT NO. U-2525C
 GUILFORD COUNTY
 STATION: 22+29.98 -Y5-

SHEET 3 OF 3

STATE OF NORTH CAROLINA DEPARTMENT OF TRANSPORTATION RALEIGH					
SUBSTRUCTURE END BENT 1					
REVISIONS					
NO.	BY:	DATE:	NO.	BY:	DATE:
1			3		
2			4		



DOCUMENT NOT CONSIDERED FINAL UNLESS ALL SIGNATURES COMPLETED

PLANS PREPARED BY:
M MOTT MACDONALD
 PO Box 700
 Fuquay-Varina, NC 27526
 (919) 552-2253
 www.mottmac.com
 LICENSE NO. F-0669

11/27/17
 12/21/2017 3:37:54 PM
 Y:\5-North Church-St Plans\U-2525C-SMU.EI.401246.dgn

DRAWN BY: R. H. BRAINARD DATE: 11-2017
 CHECKED BY: J. E. MONDOLFI DATE: 11-2017
 DESIGN ENGINEER OF RECORD: J. E. MONDOLFI DATE: 12-2017