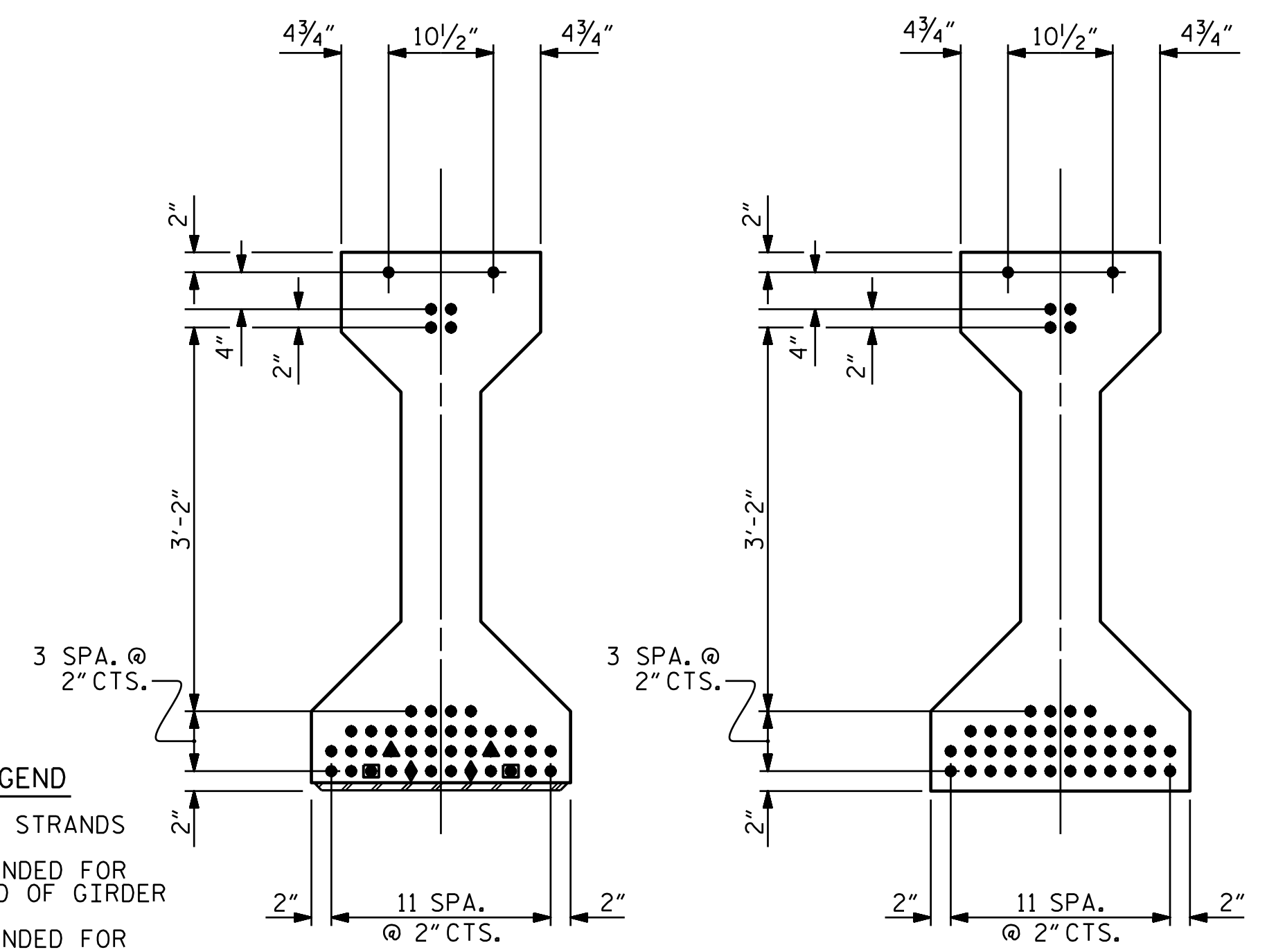


SECTION A-A

SECTION B-B

* FOR S7 BARS, SEE
DETAIL "A" OF
PRESTRESSED
CONCRETE GIRDER
CONTINUOUS FOR LIVE
LOAD DETAILS SHEET

- DEBONDING LEGEND**
- FULLY BONDED STRANDS
 - ▲ STRANDS DEBONDED FOR 4'-0" FROM END OF GIRDER
 - STRANDS DEBONDED FOR 10'-0" FROM END OF GIRDER
 - ◆ STRANDS DEBONDED FOR 18'-0" FROM END OF GIRDER

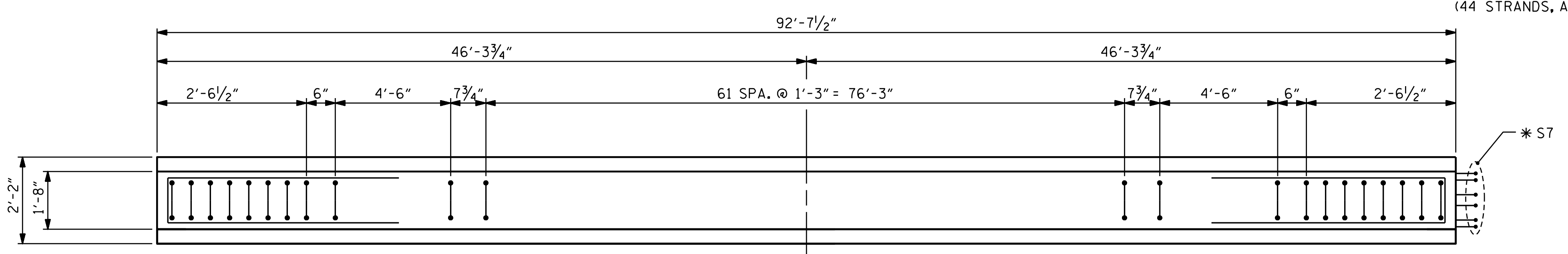


AT END OF GIRDER

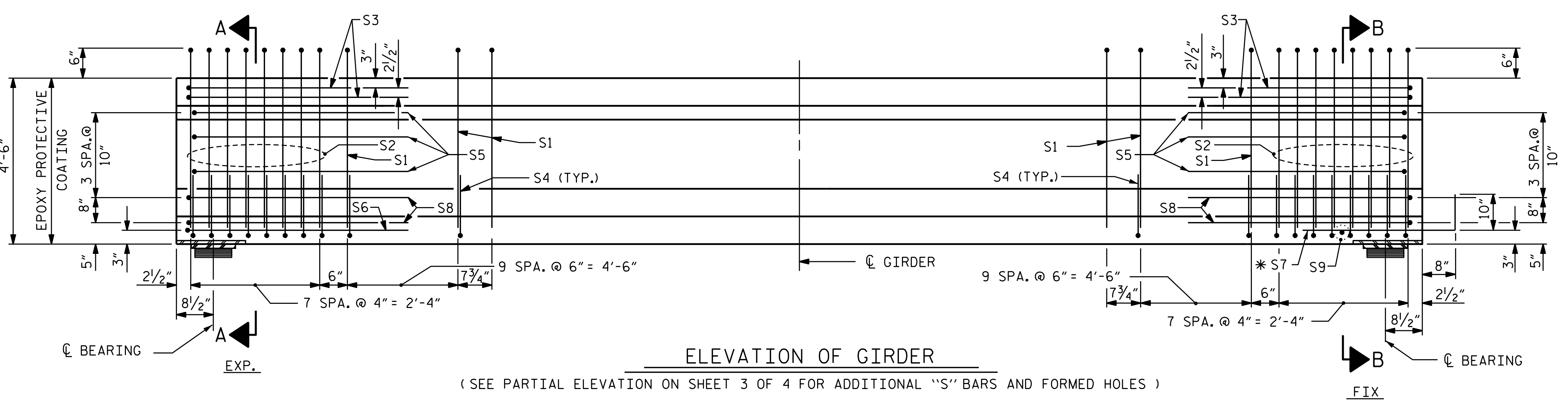
AT C OF GIRDER

0.6" Ø LOW RELAXATION STRAND LAYOUT

(44 STRANDS, ALL STRAIGHT)



PLAN OF GIRDER



ELEVATION OF GIRDER

(SEE PARTIAL ELEVATION ON SHEET 3 OF 4 FOR ADDITIONAL "S" BARS AND FORMED HOLES)

EXTERIOR GDR.	S10	2	#5	2	8'-8"	18
INTERIOR GDR.	S10	4	#5	2	8'-8"	36
EXTERIOR GDR.	S11	5	#4	STR	7'-0"	23
INTERIOR GDR.	S12	5	#4	STR	12'-2"	41

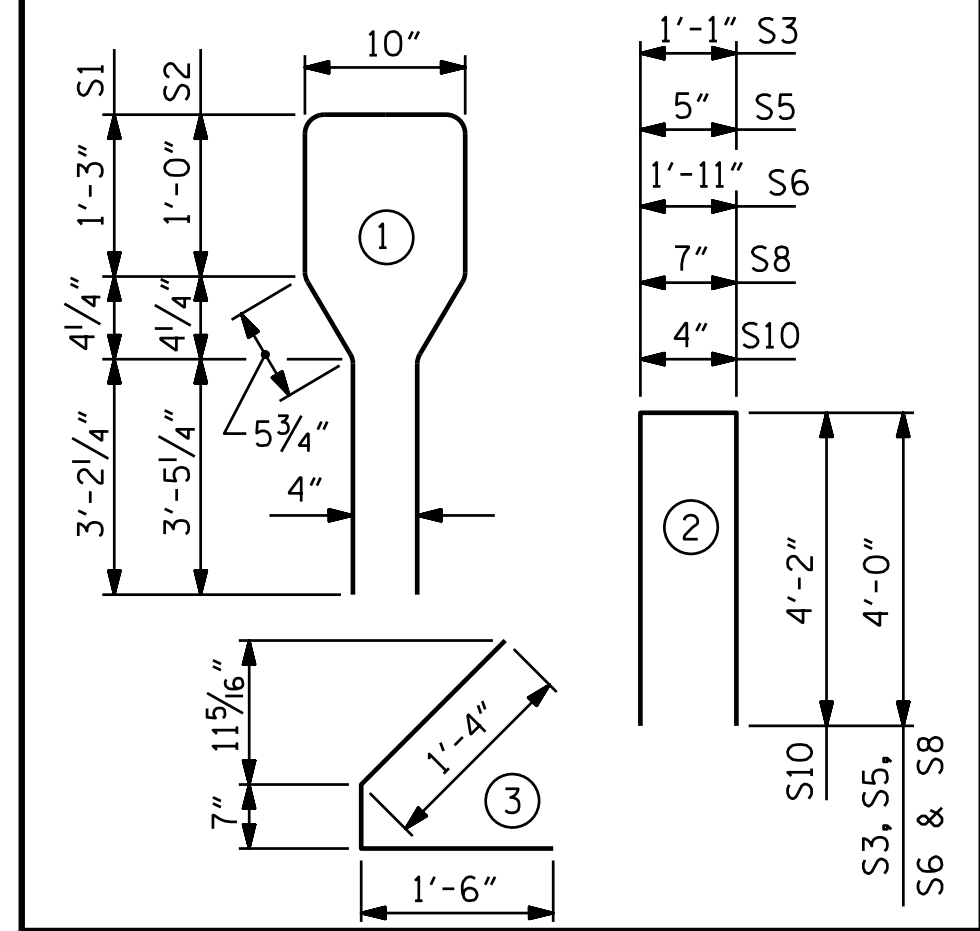
0.6" Ø L. R. GRADE 270 STRANDS		
AREA (SQUARE INCHES)	ULTIMATE STRENGTH (LBS. PER STRAND)	APPLIED PRESTRESS (LBS. PER STRAND)
0.217	58,600	43,950

REINFORCING STEEL FOR ONE GIRDER						
BAR	NUMBER	SIZE	TYPE	LENGTH	WEIGHT	
S1	82	#4	1	10'-8"	584	
S2	16	#6	1	10'-8"	256	
S3	4	#4	2	9'-1"	24	
S4	72	#4	3	3'-5"	164	
S5	6	#4	2	8'-5"	34	
S6	1	#4	2	9'-11"	7	
* S7	6	#5	STR	3'-8"	23	
S8	4	#4	2	8'-7"	23	
S9	1	#3	STR	1'-10"	1	

* NOTE: S7 BARS SHALL BE BENT BEFORE SHIPMENT. HEAT BENDING SHALL NOT BE ALLOWED.

BAR TYPES

ALL BAR DIMENSIONS ARE OUT-TO-OUT



QUANTITIES FOR ONE GIRDER

	REINFORCING STEEL	8,500 PSI CONCRETE	0.6" Ø L. R. STRANDS
	LB.	C.Y.	No.
EXTERIOR GIRDER	1,157	18.8	44
INTERIOR GIRDER	1,193	18.8	44

GIRDERS REQUIRED

NUMBER	LENGTH	TOTAL LENGTH
5	92'-7 1/2"	463.13'

PROJECT NO. U-2525C
GUILFORD COUNTY
 STATION: 22+29.98 -Y5-

SHEET 1 OF 4

STATE OF NORTH CAROLINA
 DEPARTMENT OF TRANSPORTATION
 RALEIGH

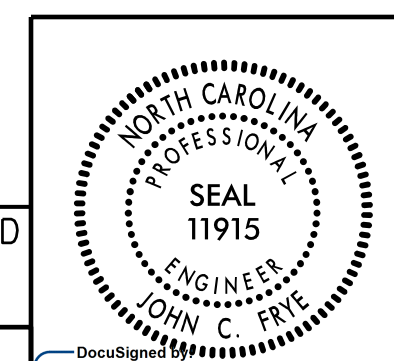
AASHTO TYPE IV
 PRESTRESSED CONCRETE GIRDER
 CONTINUOUS FOR LIVE LOAD

SPAN A

REVISIONS						SHEET NO.
NO.	BY:	DATE:	NO.	BY:	DATE:	S7-10
1			3			TOTAL SHEETS
2			4			28

DOCUMENT NOT CONSIDERED FINAL UNLESS ALL SIGNATURES COMPLETED

PLANS PREPARED BY:
 MOTT MACDONALD
 PO Box 700
 Fuquay-Varina, NC 27526
 (919) 552-2253
 www.mottmac.com
 LICENSE NO. F-0669



12/21/2017 12:21:20 PM
 C:\Users\Y5_North_Church_St\Plans\U-2525C-SMU.GI_401246.dgn

DRAWN BY: R. H. BRAINARD DATE: 9-2017
 CHECKED BY: J. E. MONDOLFI DATE: 10-2017
 DESIGN ENGINEER OF RECORD: J. E. MONDOLFI DATE: 12-2017