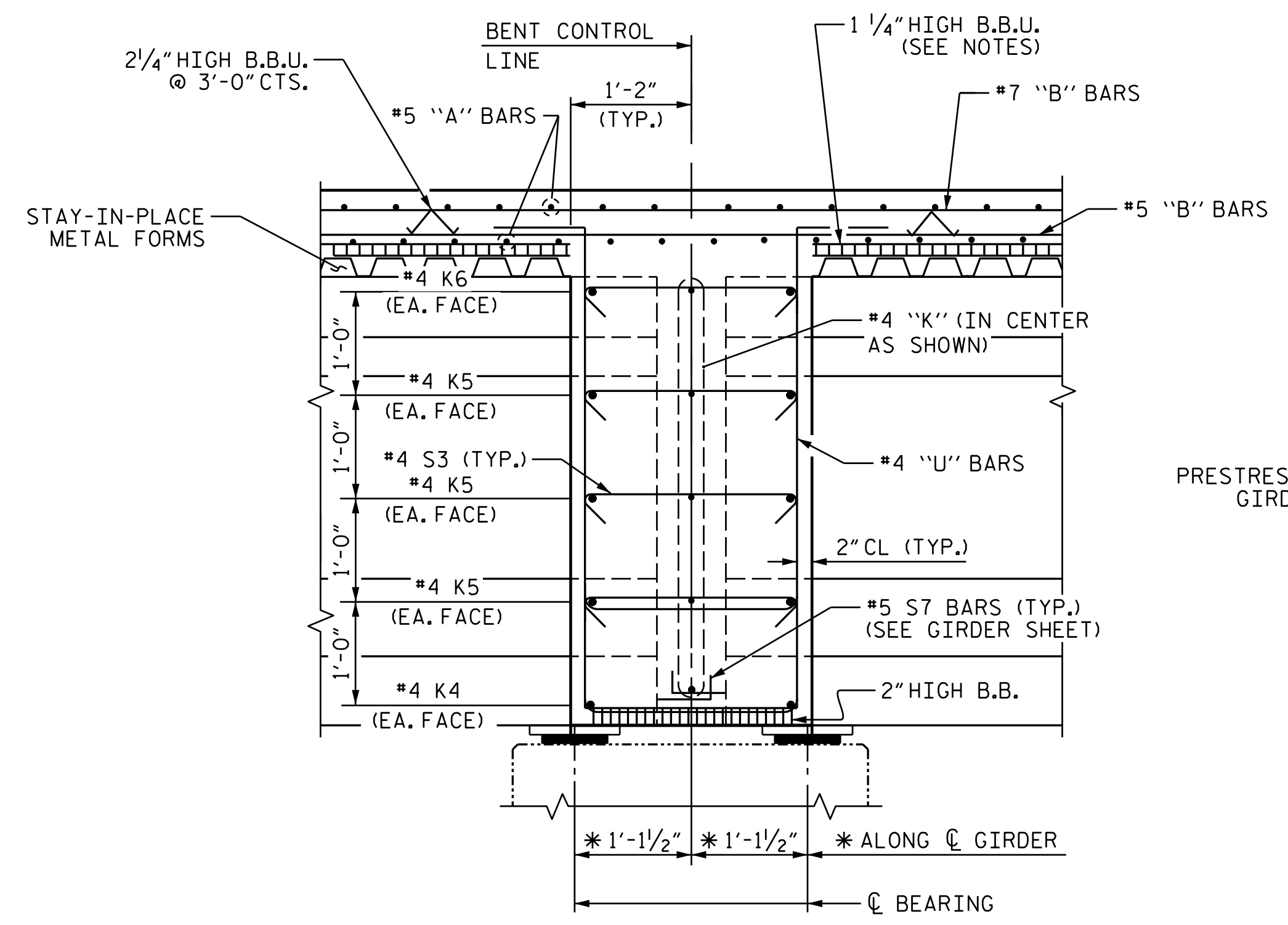
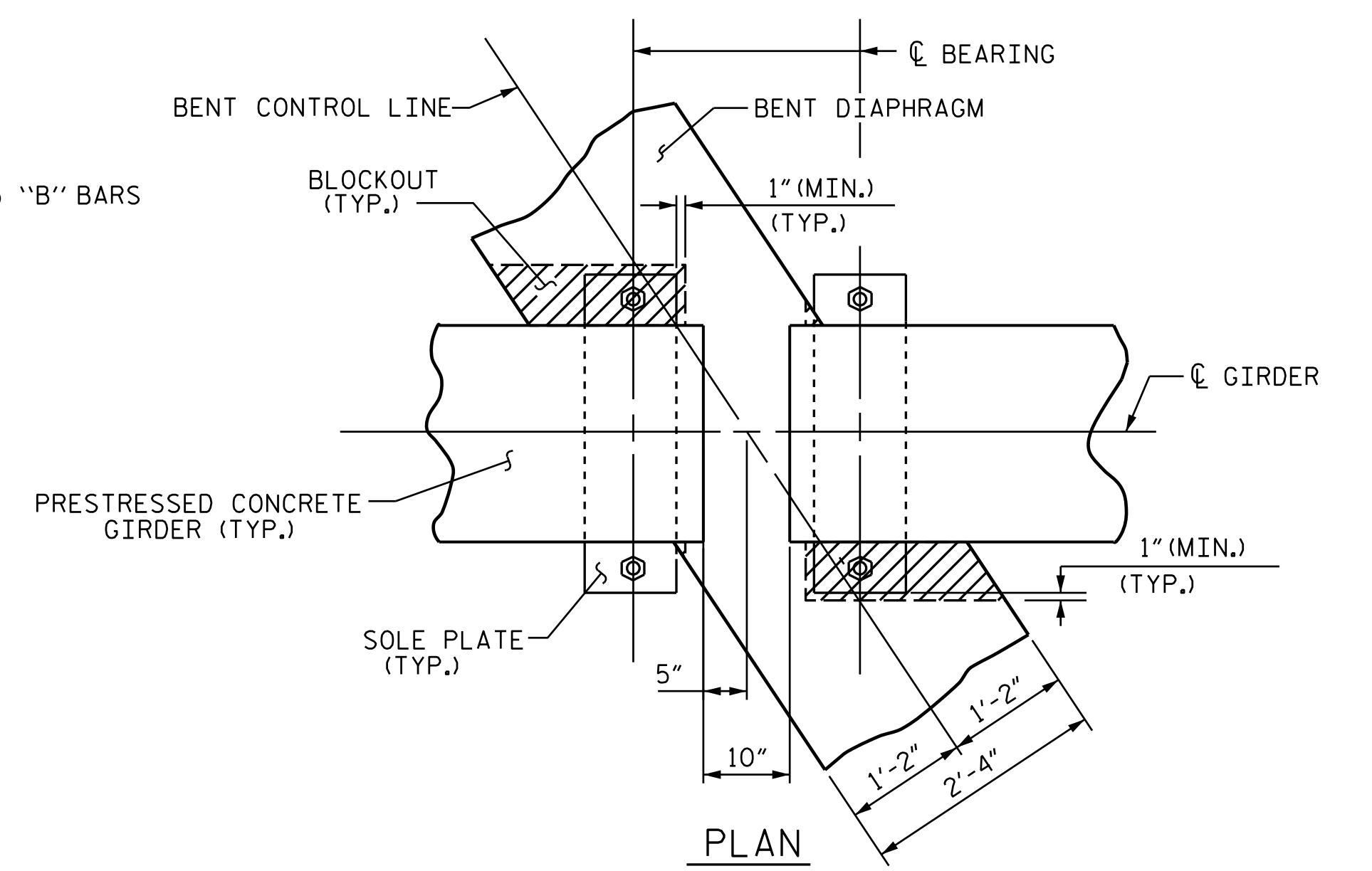


SECTION THRU END BENT DIAPHRAGM

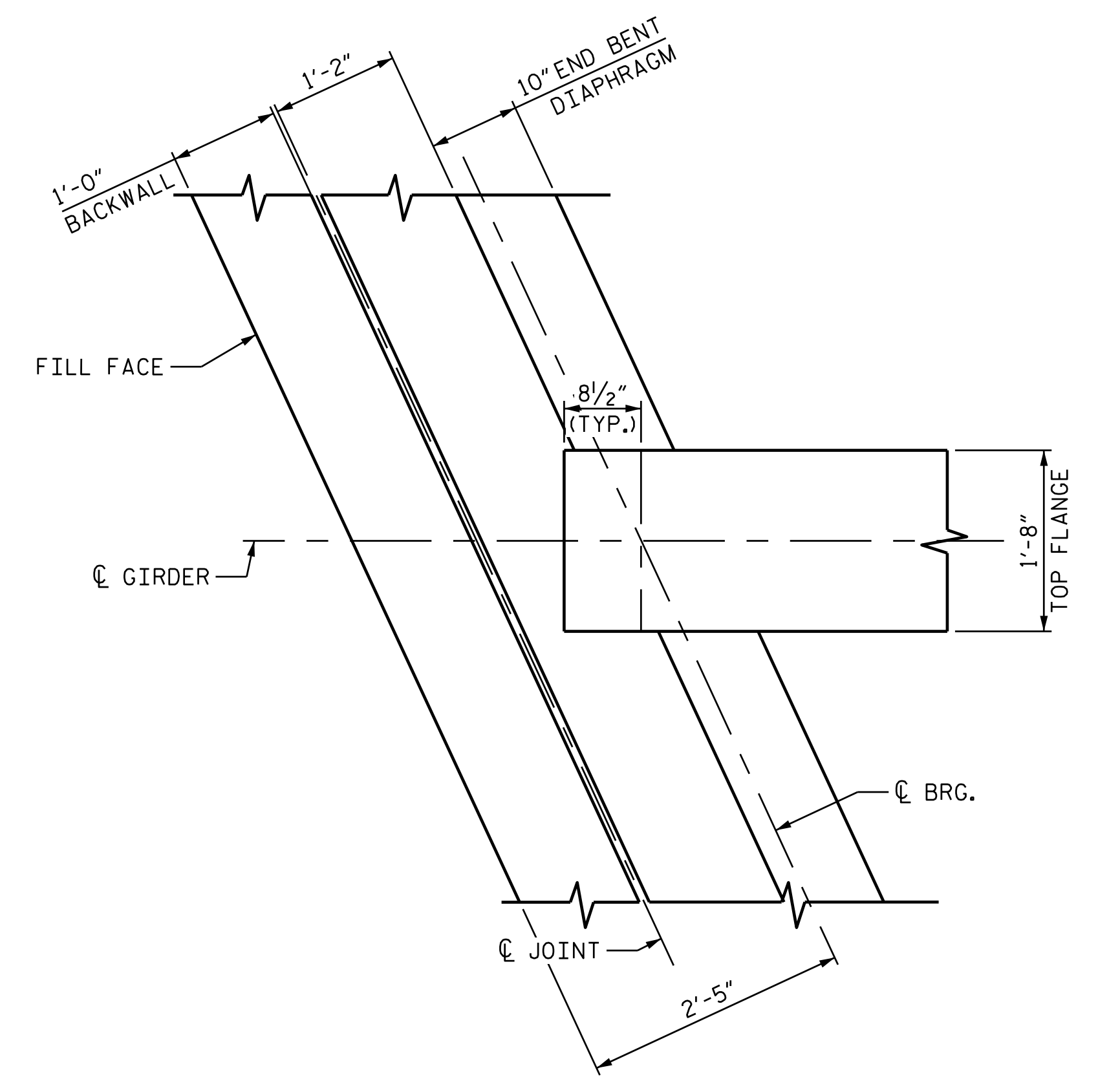
** #5 G1 BAR MAY BE SHIFTED SLIGHTLY, AS NECESSARY, TO CLEAR REINFORCING STEEL AND STIRRUPS.



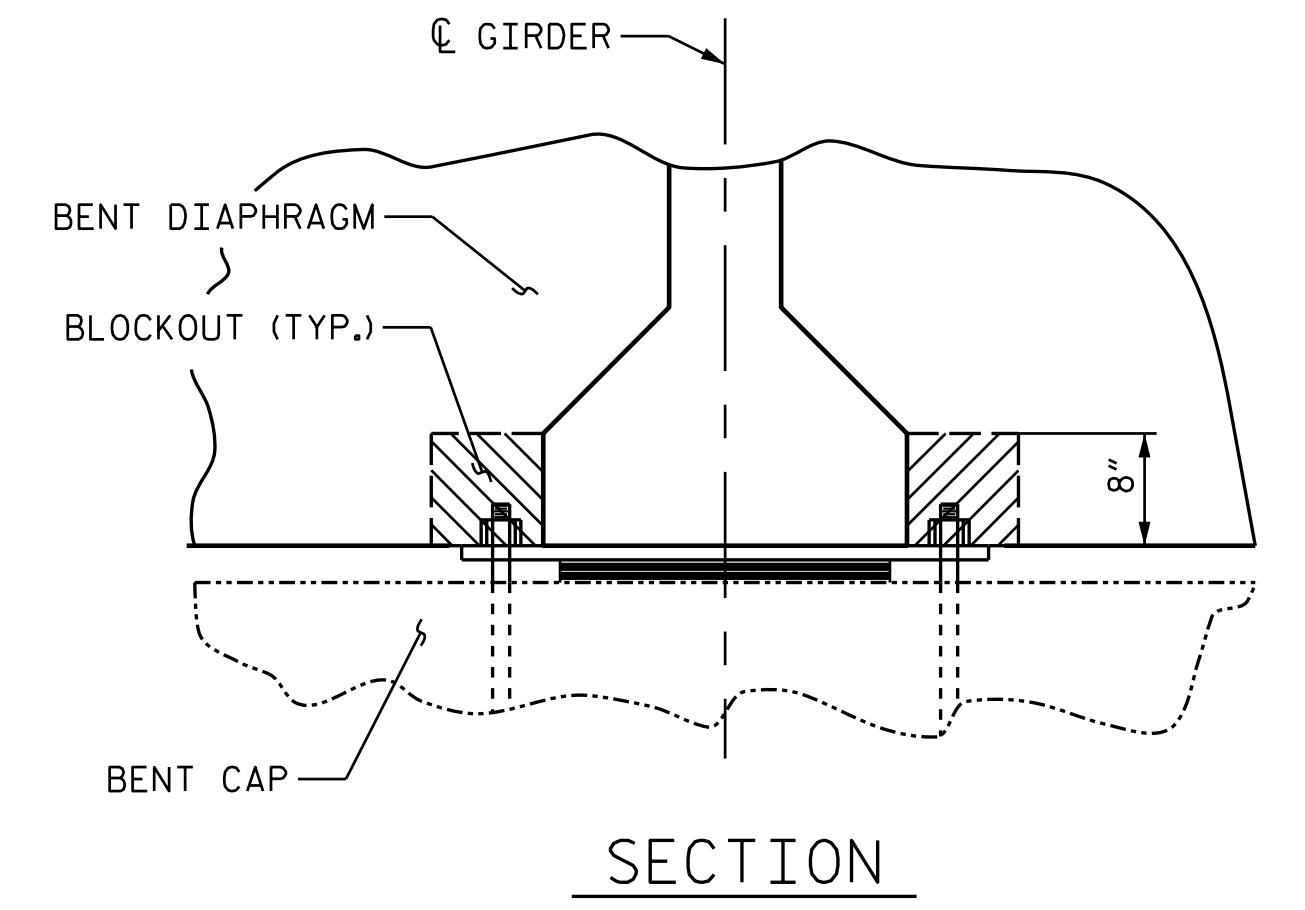
SECTION THRU BENT DIAPHRAGM



BENT DIAPHRAGM BLOCKOUT DETAIL



PLAN VIEW OF DIAPHRAGM @ END BENT



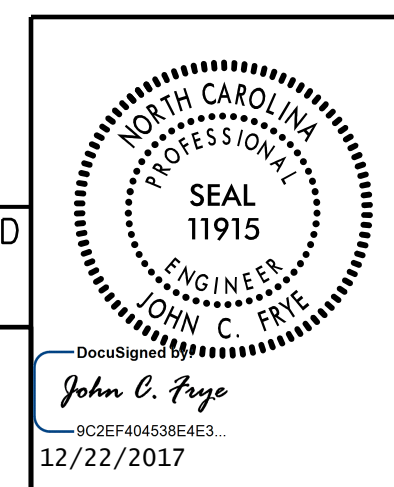
SECTION

PROJECT NO. U-2525C
GUILFORD COUNTY
 STATION: 22+29.98 -Y5-

SHEET 2 OF 2

STATE OF NORTH CAROLINA
 DEPARTMENT OF TRANSPORTATION
 RALEIGH

SUPERSTRUCTURE
 TYPICAL SECTION
 DETAILS



DOCUMENT NOT CONSIDERED
 FINAL UNLESS ALL
 SIGNATURES COMPLETED

PLANS PREPARED BY:
 MOTT MACDONALD
 PO Box 700
 Fuquay-Varina, NC 27526
 (919) 552-2253
 www.mottmac.com
 LICENSE NO. F-0669

REVISIONS						SHEET NO.
NO.	BY:	DATE:	NO.	BY:	DATE:	ST-6
1			3			TOTAL SHEETS
2			4			28

12/21/2017 12:27:20 PM
 C:\Users\j5.North.Church.St\Plans\U-2525C.SMU.TS_401246.dgn
 157077

DRAWN BY: R. H. BRAINARD DATE: 9-2017
 CHECKED BY: J. E. MONDOLFI DATE: 11-2017
 DESIGN ENGINEER OF RECORD: J. E. MONDOLFI DATE: 12-2017