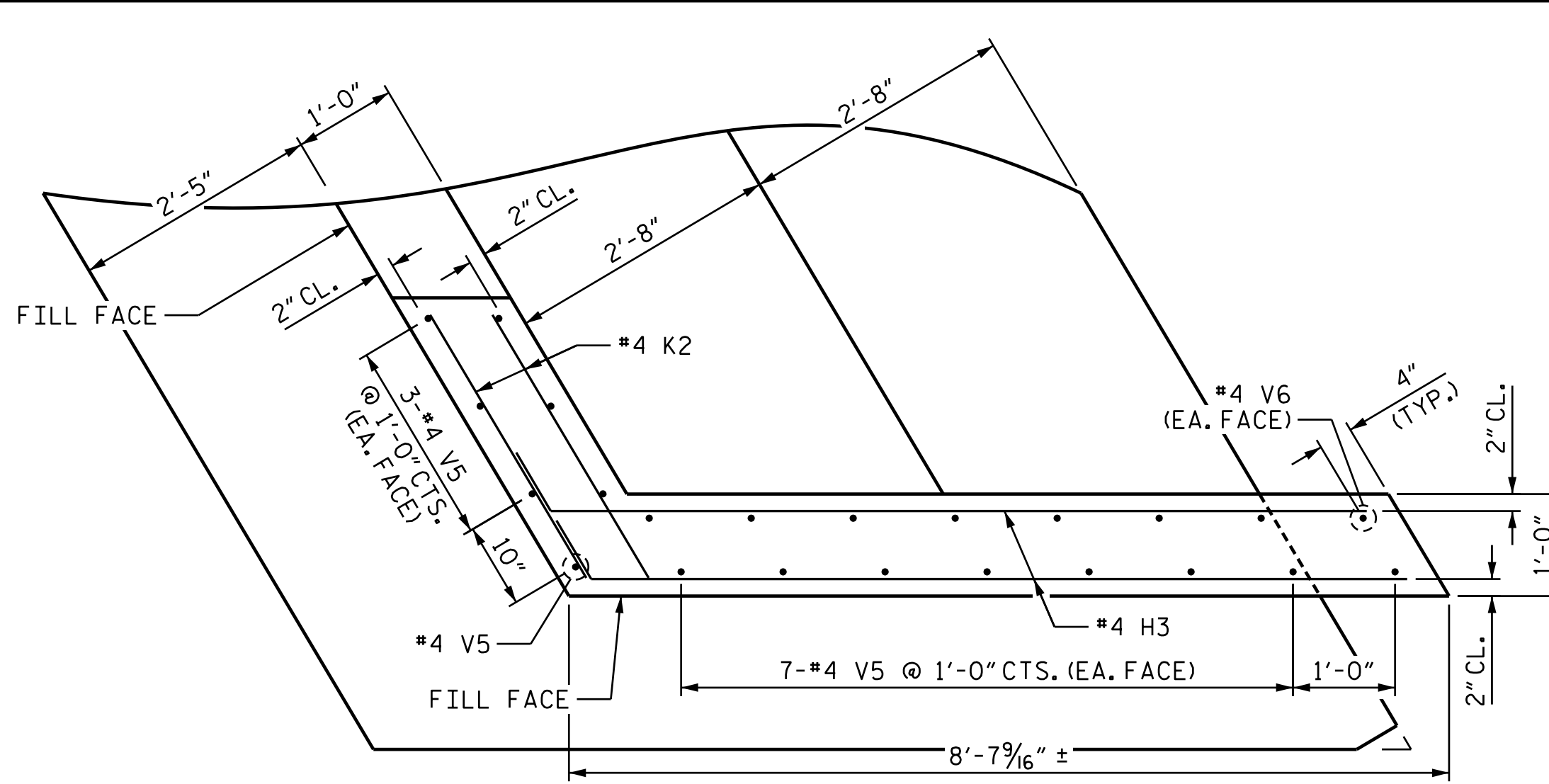
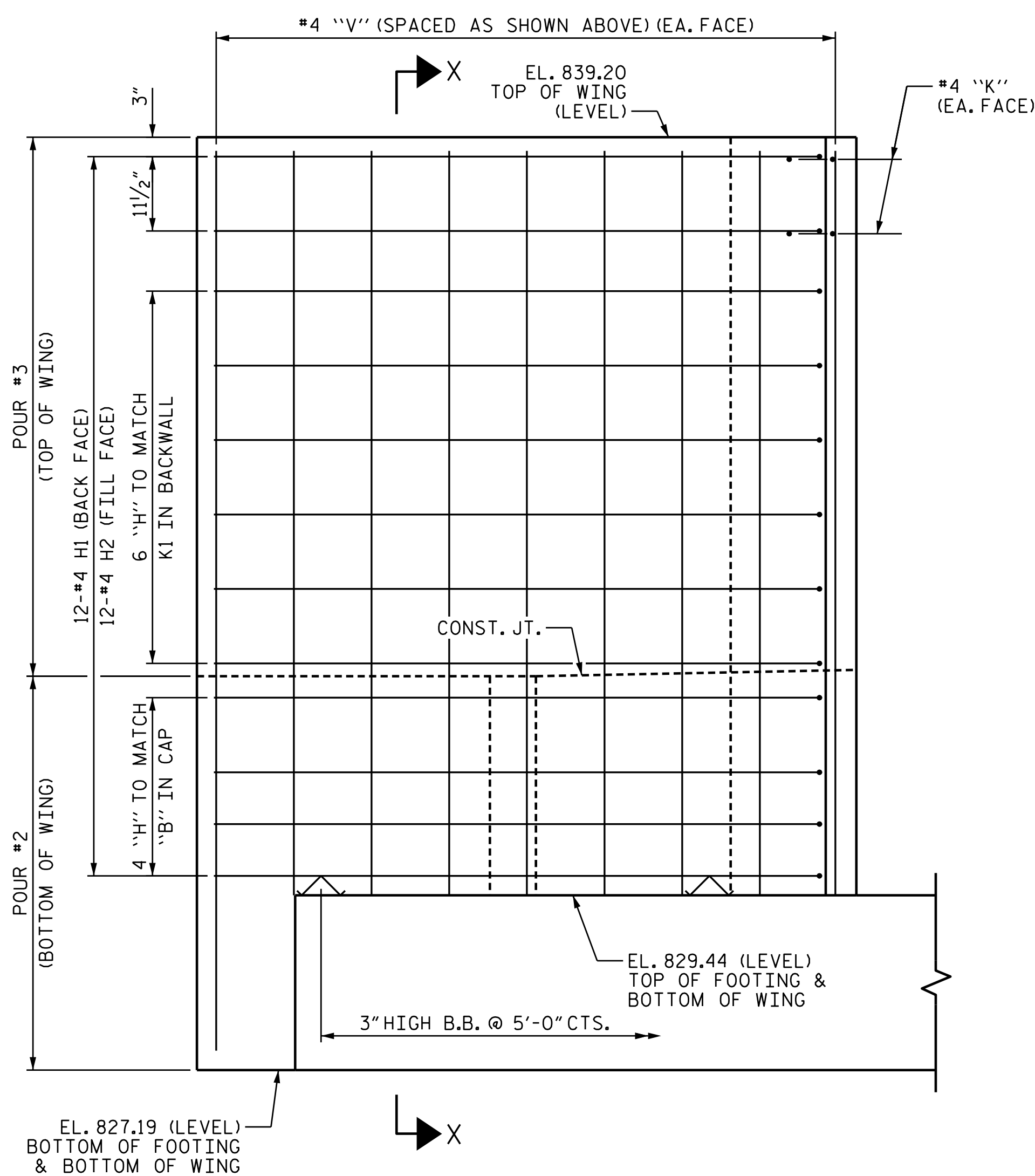


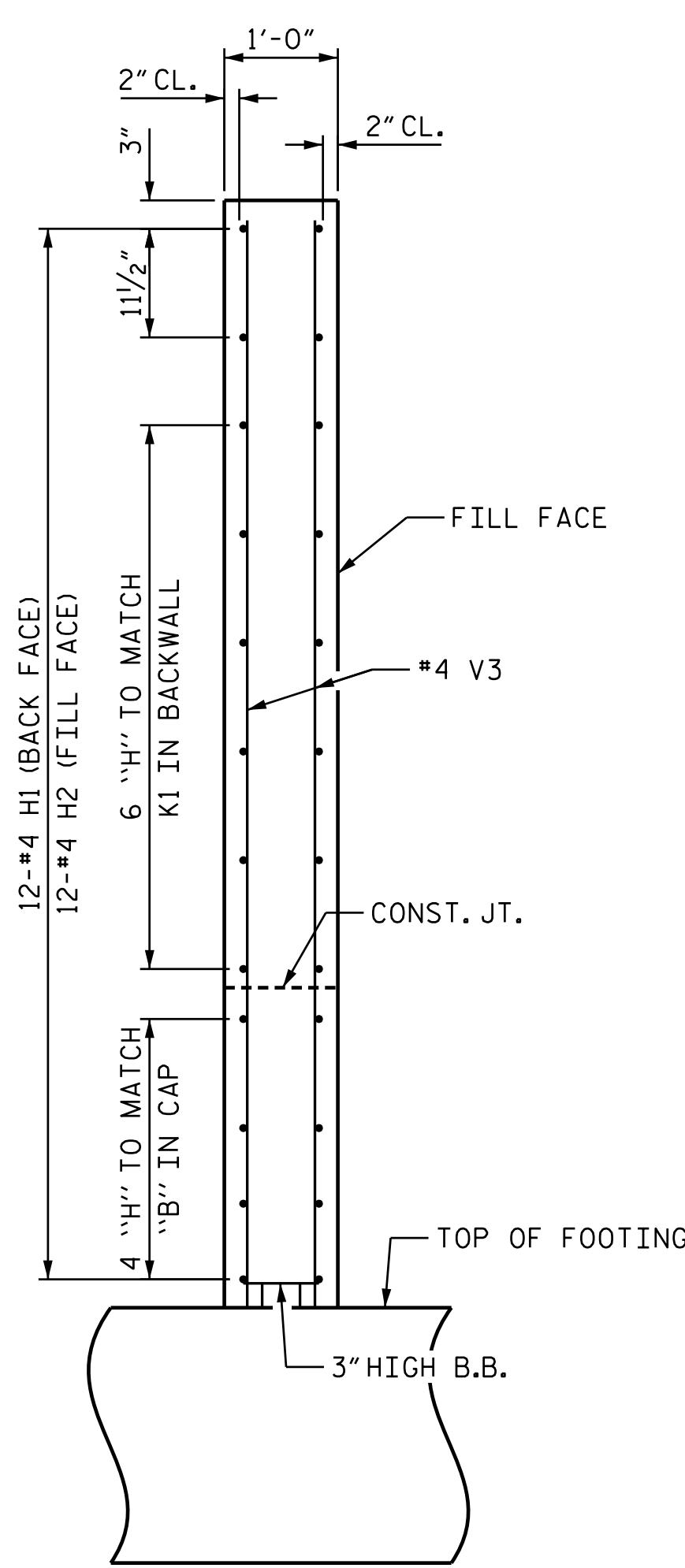
PLAN WING 1



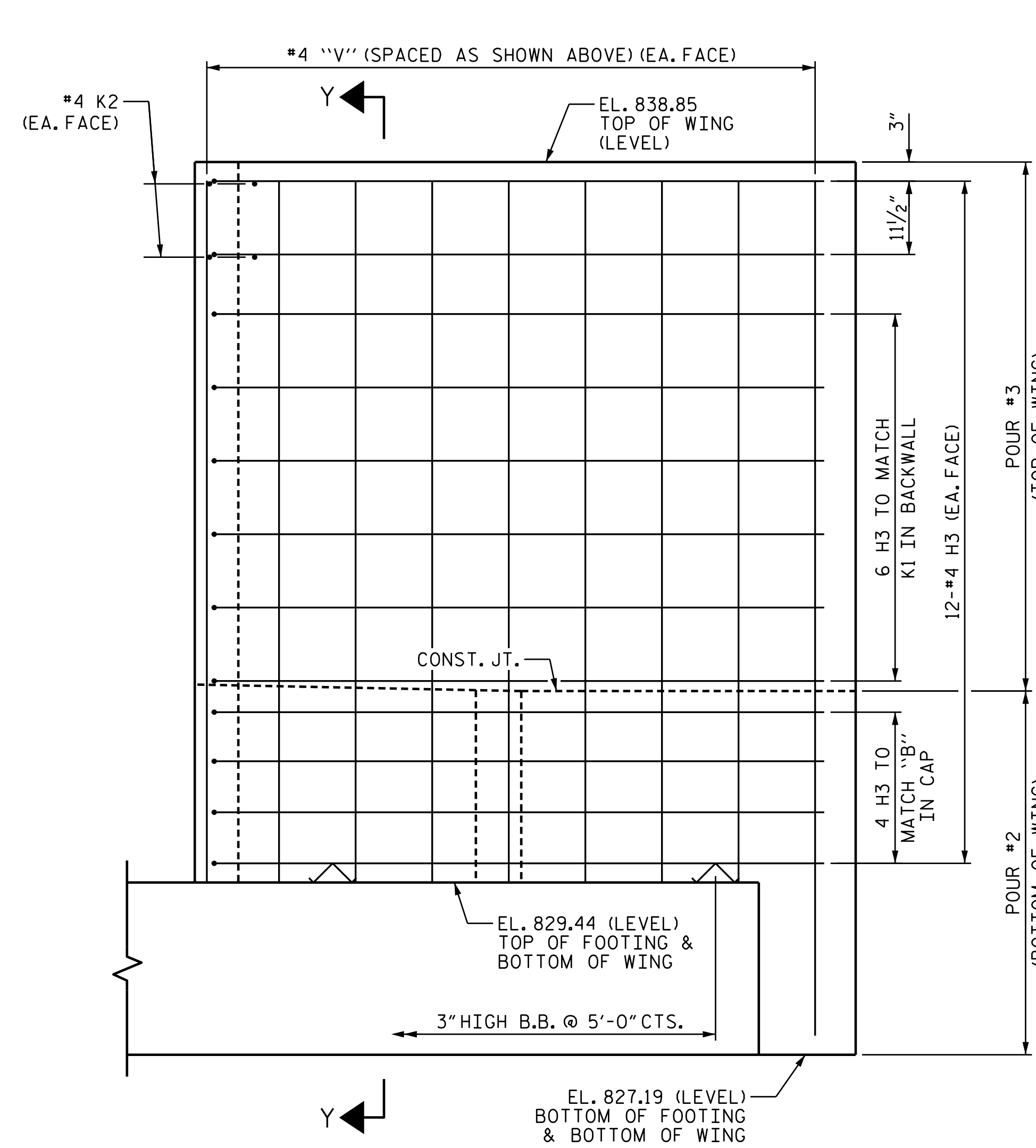
PLAN WING 2



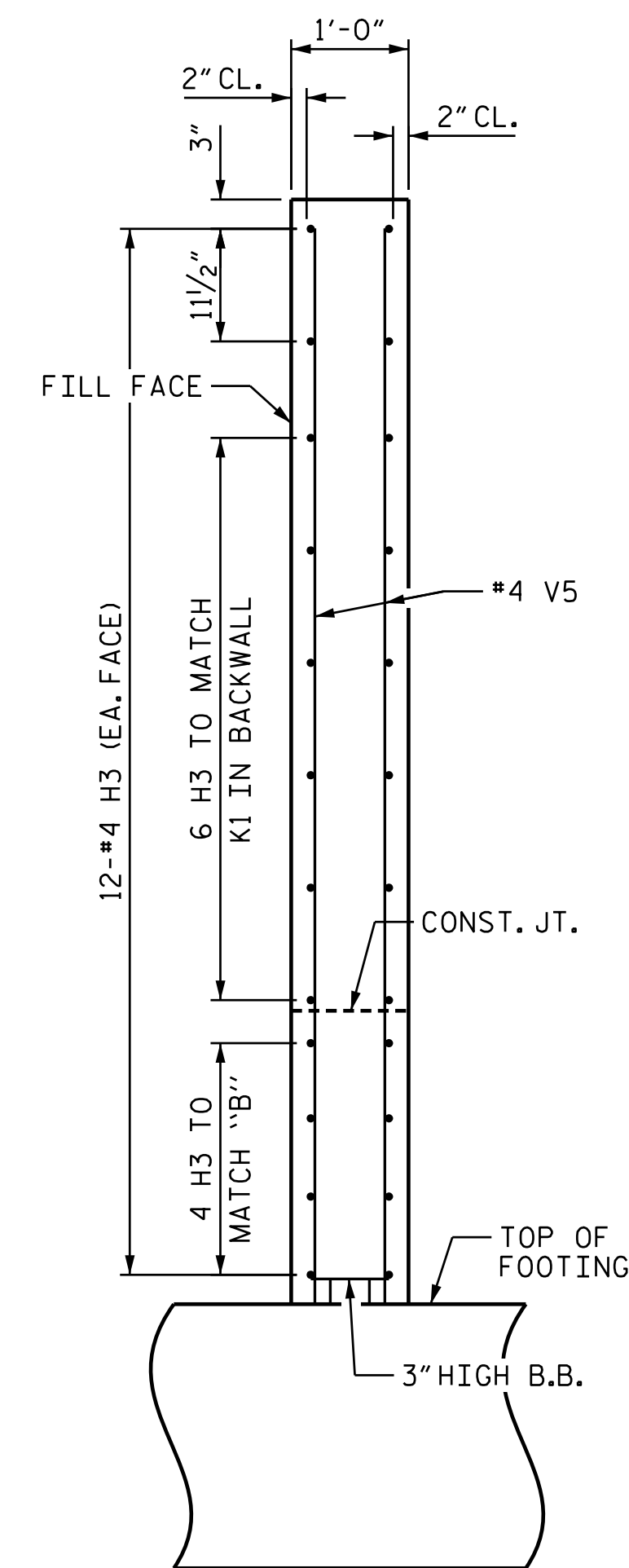
ELEVATION WING 1



SECTION X-X



ELEVATION WING 2



SECTION Y-Y

PROJECT NO. U-2525C  
GUILFORD COUNTY  
 STATION: 28+98.81 -Y4-

SHEET 3 OF 4

STATE OF NORTH CAROLINA  
 DEPARTMENT OF TRANSPORTATION  
 RALEIGH  
 SUBSTRUCTURE  
 END BENT 1

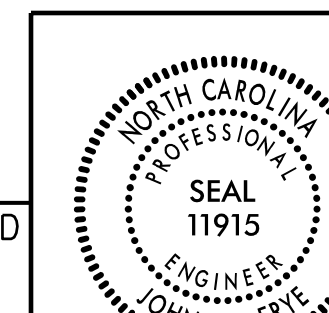
REVISIONS

NO.	BY:	DATE:	NO.	BY:	DATE:
1			3		
2			4		

SHEET NO.  
 S6-24  
 TOTAL SHEETS  
 34

DOCUMENT NOT CONSIDERED  
 FINAL UNLESS ALL  
 SIGNATURES COMPLETED

PLANS PREPARED BY:  
 MOTT MACDONALD  
 PO Box 700  
 Fuquay-Varina, NC 27526  
 (919) 552-2253  
 www.mottmac.com  
 LICENSE NO. F-0669



John C. Frie  
 12/22/2017

12/21/2017 12:21:20 PM  
 Y:\4\_Yorgens\11e\_Rd\Plans\U-2525C\_SMU.E1\_401245.dgn  
 3335E3

DRAWN BY: L. T. FORBIS DATE: 6-2017  
 CHECKED BY: J. T. WILLIAMS DATE: 9-2017  
 DESIGN ENGINEER OF RECORD: J. E. MONDOLFI DATE: 9-2017