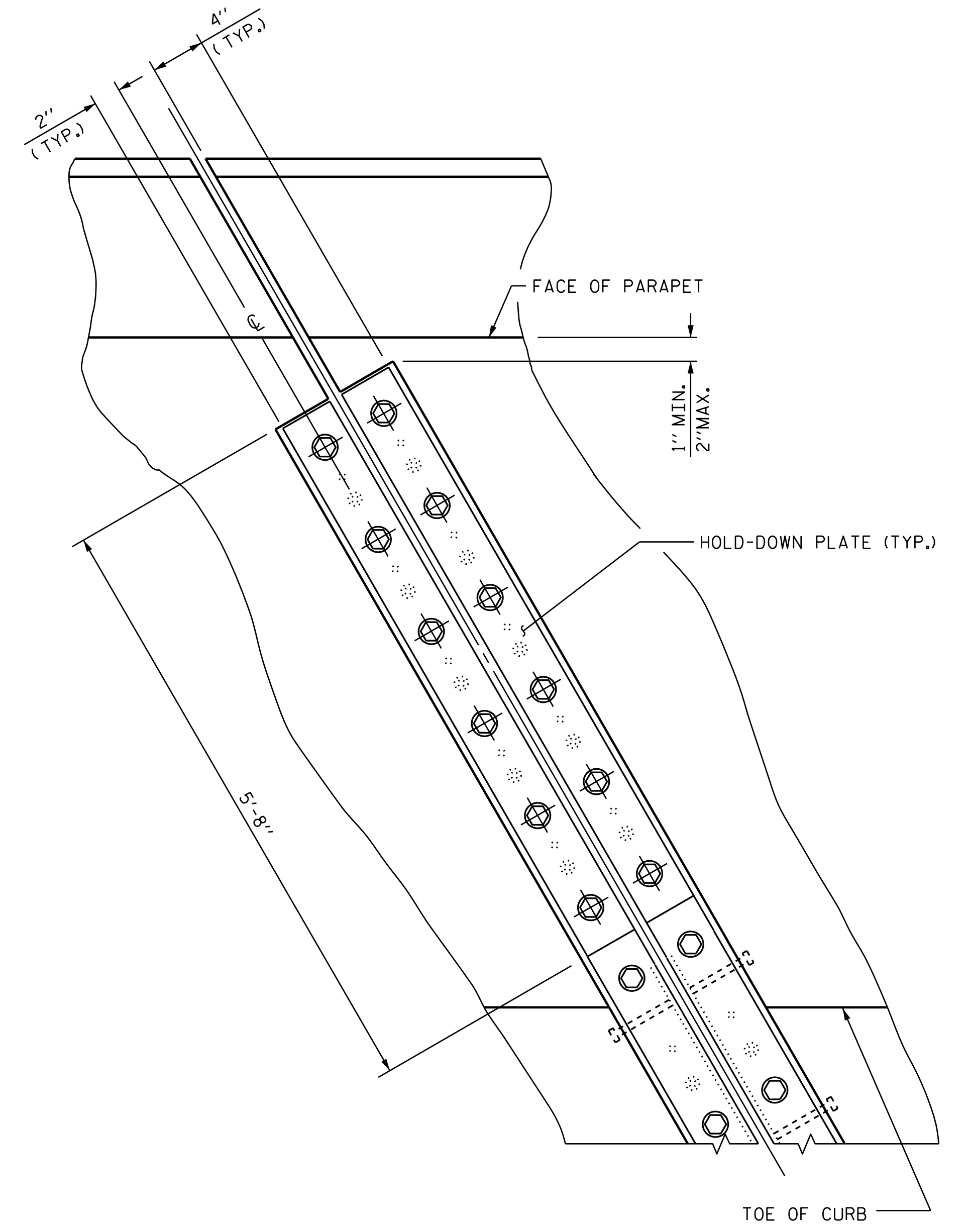
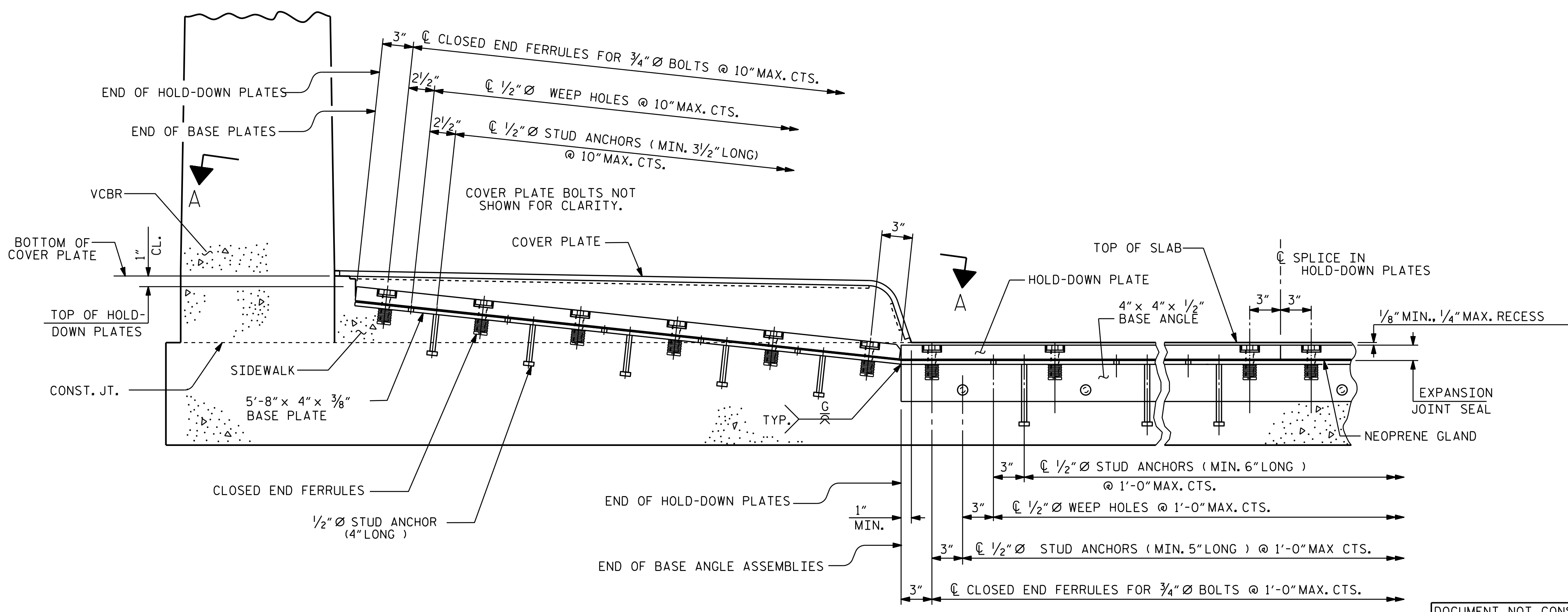


**PLAN OF EXPANSION JOINT SEAL - LEFT SIDE**

SEE "EXPANSION JOINT SEAL DETAILS FOR VERTICAL CONCRETE BARRIER RAIL (VCBR)" FOR RIGHT SIDE



**SECTION A - A**



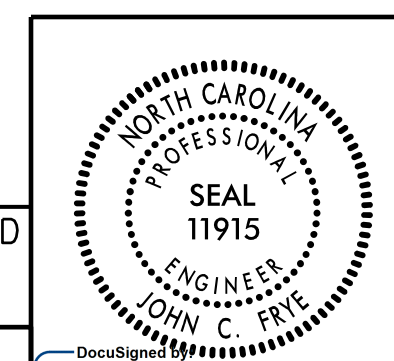
**SECTION THRU SIDEWALK NORMAL TO JOINT**

PROJECT NO. U-2525C  
GUILFORD COUNTY  
 STATION: 28+98.81 -Y4-

SHEET 3 OF 4

STATE OF NORTH CAROLINA  
 DEPARTMENT OF TRANSPORTATION  
 RALEIGH

**EXPANSION JOINT SEAL DETAILS FOR SIDEWALK**



DOCUMENT NOT CONSIDERED FINAL UNLESS ALL SIGNATURES COMPLETED

PLANS PREPARED BY:  
**M** MOTT MACDONALD  
 PO Box 700  
 Fuquay-Varina, NC 27526  
 (919) 552-2253  
 www.mottmac.com  
 LICENSE NO. F-0669

REVISIONS						SHEET NO.
NO.	BY:	DATE:	NO.	BY:	DATE:	S6-17
1			3			TOTAL SHEETS
2			4			34

157077  
 12/21/2017  
 C:\Users\j4\_yang\My Documents\Projects\U-2525C\SMU\_JS\_401245.dgn  
 3:34:55 PM

DRAWN BY: J. T. WILLIAMS DATE: 10-2017  
 CHECKED BY: J. C. FRYE DATE: 10-2017  
 DESIGN ENGINEER OF RECORD: J. E. MONDOLFI DATE: 10-2017