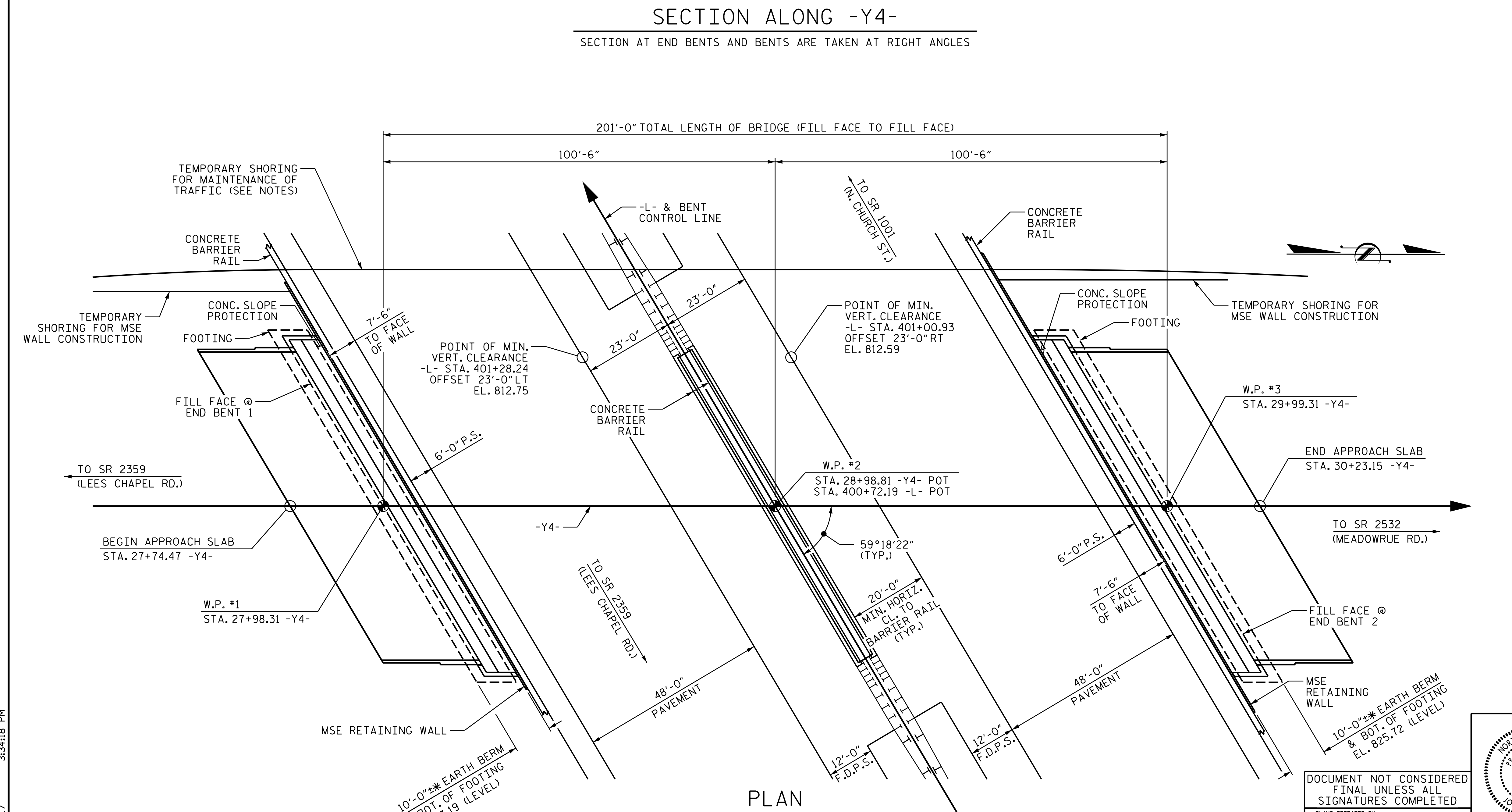
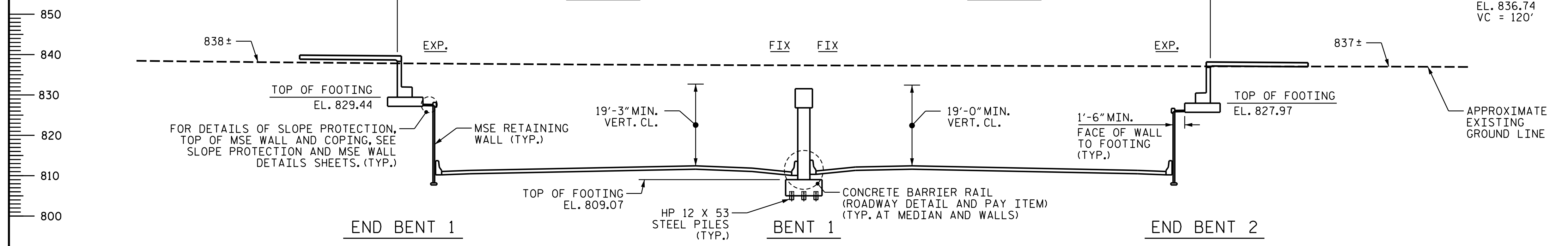


GRADE DATA -Y4-

(-)-0.3234% (-)-0.7500%
PI STA 27+10.00 -Y4-
EL. 840.34
VC = 100'

GRADE DATA -Y4-

(-)-0.7500% (+)-0.5000%
PI STA 31+90.00 -Y4-
EL. 836.74
VC = 120'



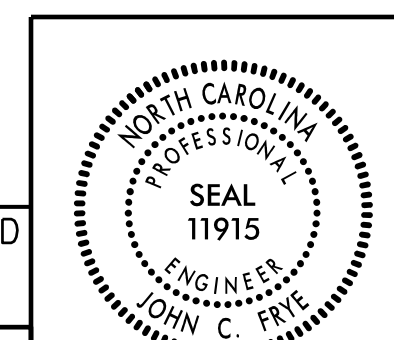
157077
12/21/2017 12:27:20 PM
\\p01\work\114_Yanceyville_Rd\Plans\U-2525C_SMU_GDL_401245.dgn

DRAWN BY: J. T. WILLIAMS DATE: 7-2017
 CHECKED BY: J. C. FRYE DATE: 10-2017
 DESIGN ENGINEER OF RECORD: J. C. FRYE DATE: 10-2017

BENT FOUNDATIONS NOT SHOWN FOR CLARITY
 * EARTH BERM WIDTH IS DEPENDENT ON FINAL RETAINING WALL DESIGN.

DOCUMENT NOT CONSIDERED
 FINAL UNLESS ALL
 SIGNATURES COMPLETED

PLANS PREPARED BY:
 MOTT MACDONALD
 PO Box 700
 Fuquay-Varina, NC 27526
 (919) 552-2253
 www.mottmac.com
 LICENSE NO. F-0669



PROJECT NO. U-2525C
 GUILFORD COUNTY
 STATION: 28+98.81 -Y4- POT
 400+72.19 -L- POT
 SHEET 1 OF 3 BRIDGE NO. 1245

STATE OF NORTH CAROLINA DEPARTMENT OF TRANSPORTATION RALEIGH					
GENERAL DRAWING					
BRIDGE ON SR 2523 (YANCEYVILLE RD.) OVER GEL I-85 BYPASS BETWEEN SR 2359 AND SR 2532					
REVISIONS					
NO.	BY:	DATE:	NO.	BY:	DATE:
1			3		
2			4		
SHEET NO. S6-1					TOTAL SHEETS 34