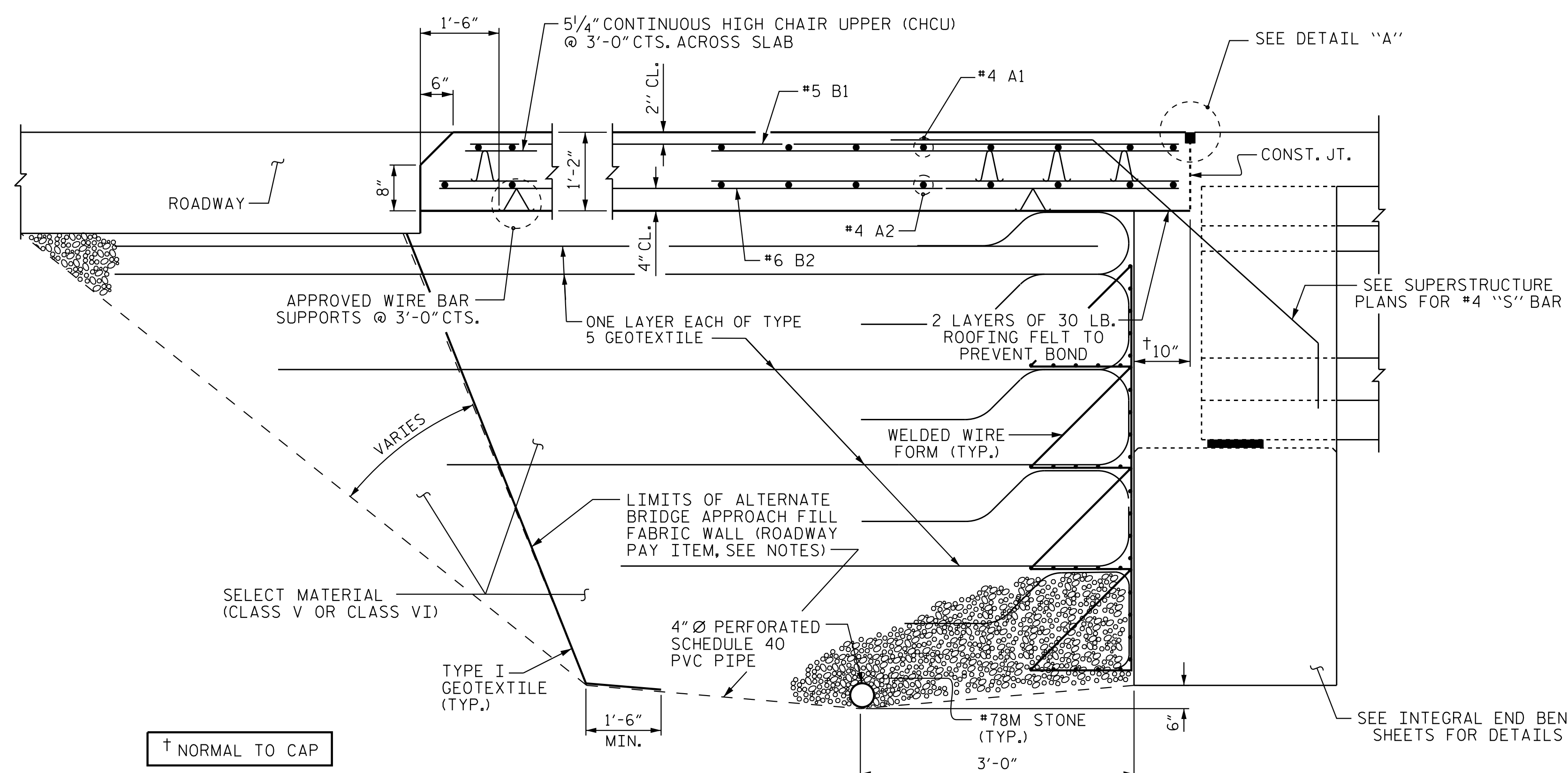


SECTION THRU SLAB
TYPE I - STANDARD APPROACH FILL

SEE ROADWAY STANDARD DRAWING 422.01 FOR ADDITIONAL INFORMATION



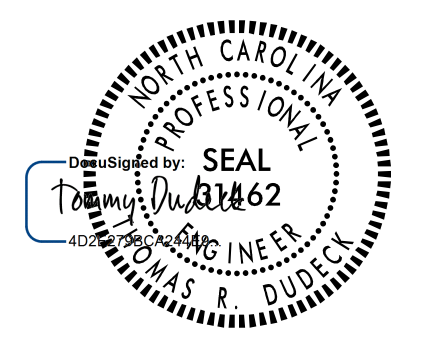
SECTION THRU SLAB
TYPE A - STANDARD APPROACH FILL

SEE ROADWAY STANDARD DRAWING 422.03 FOR ADDITIONAL INFORMATION

PROJECT NO. U-2525C
GUILFORD COUNTY
STATION: 337+20.09 -L-

SHEET 2 OF 2

STATE OF NORTH CAROLINA
DEPARTMENT OF TRANSPORTATION
RALEIGH
STANDARD
BRIDGE APPROACH SLAB
(RL)



REVISIONS						SHEET NO.	
NO.	BY:	DATE:	NO.	BY:	DATE:	S5-38	
1			3			TOTAL SHEETS	
2			4			38	

DOCUMENT NOT CONSIDERED FINAL UNLESS ALL SIGNATURES COMPLETED

STR. #5

Stantec Consulting Services Inc.
801 Jones Franklin Road
Suite 300
Raleigh, NC 27606
Tel. (919) 851-6866
Fax. (919) 851-7024
www.stantec.com
License No. F-0672

DRAWN BY : J. B. GEILE DATE : 01-27-17
CHECKED BY : V. E. FRAGA DATE : 06-01-17
DESIGN ENGINEER OF RECORD: T. R. DUDECK DATE : 01/16/18

U:\Structures\Drawings\Site 5\Final\RL U-2525C-SD_BAS5-2.dgn 1/12/2018 5:50:29 PM jgeille