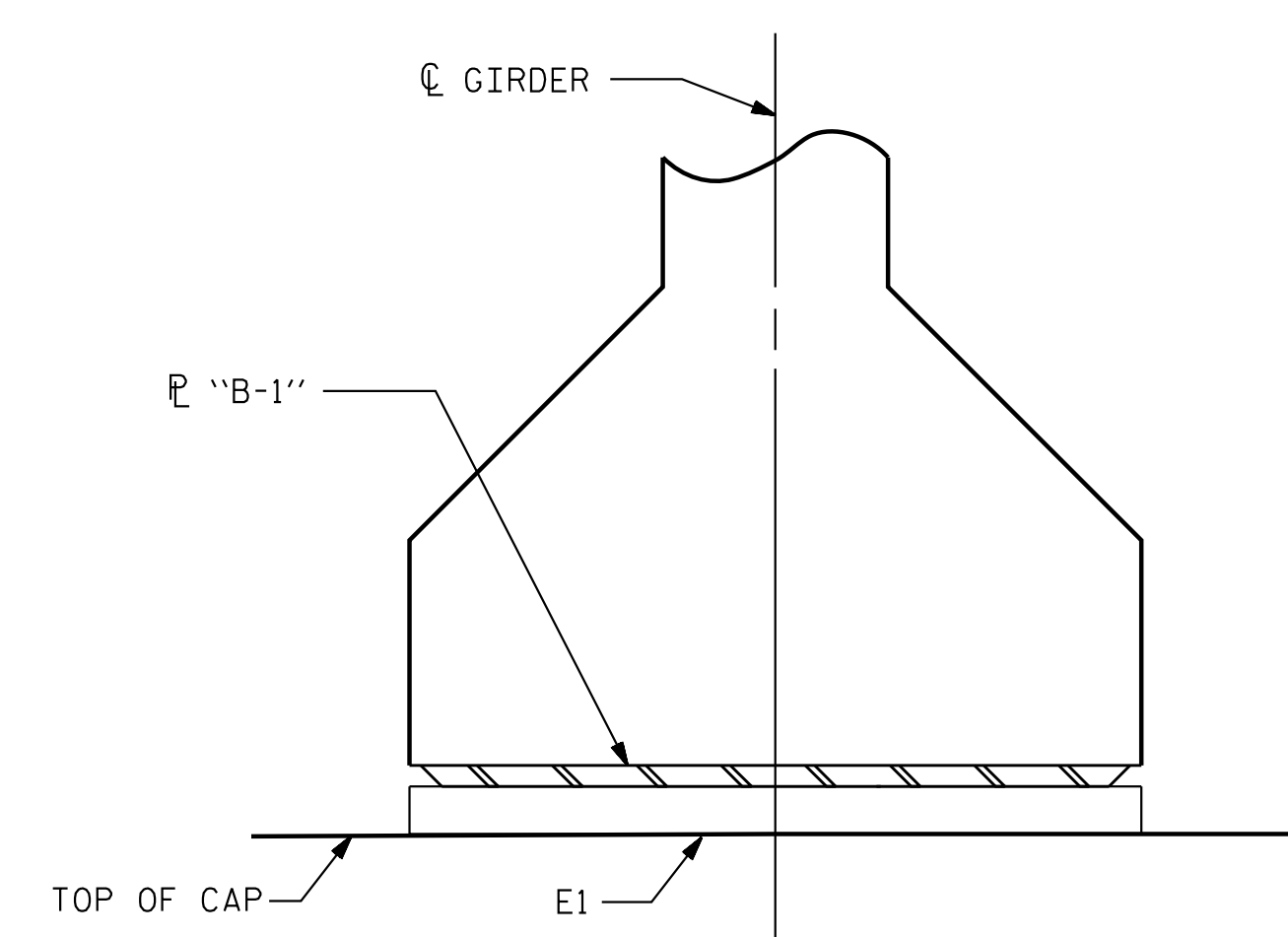
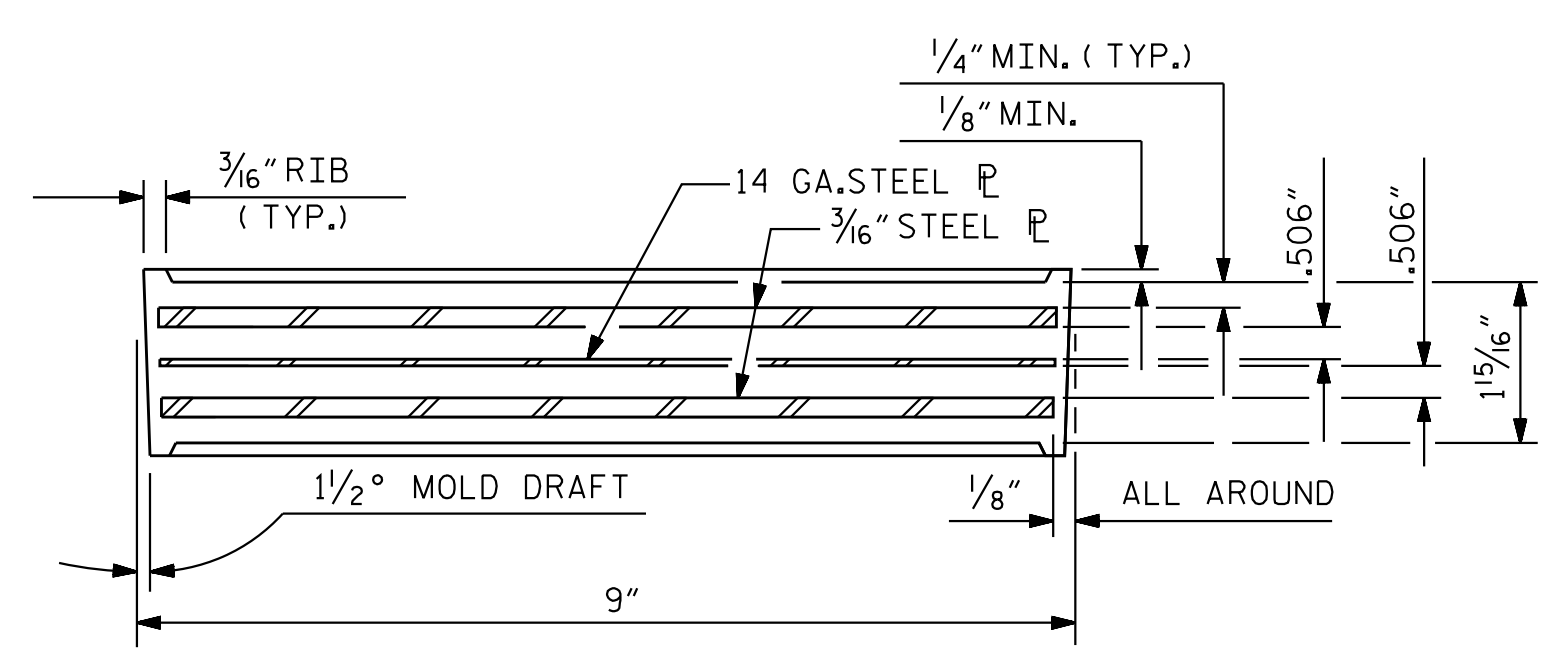


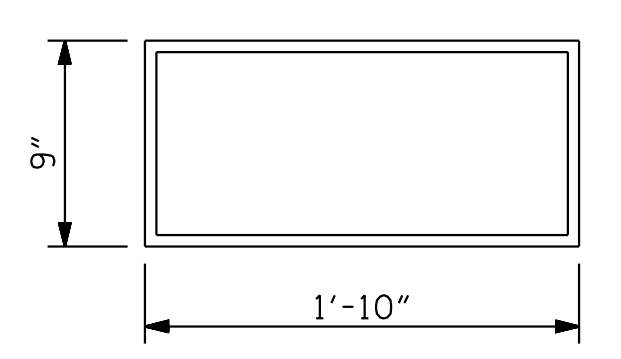
TYPICAL BEARING PLAN @ INTEGRAL END BENTS



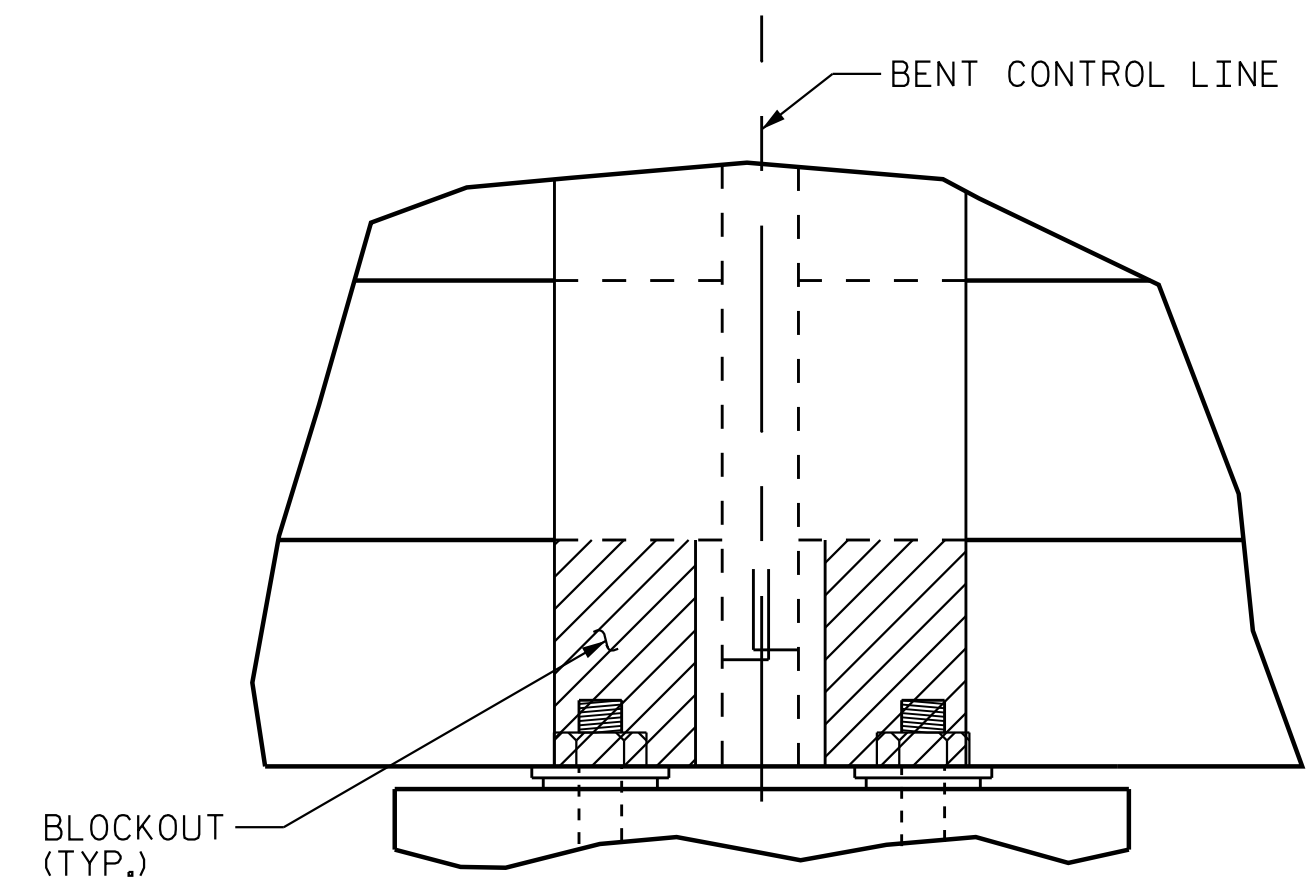
INTEGRAL END BENT SECTION E-E



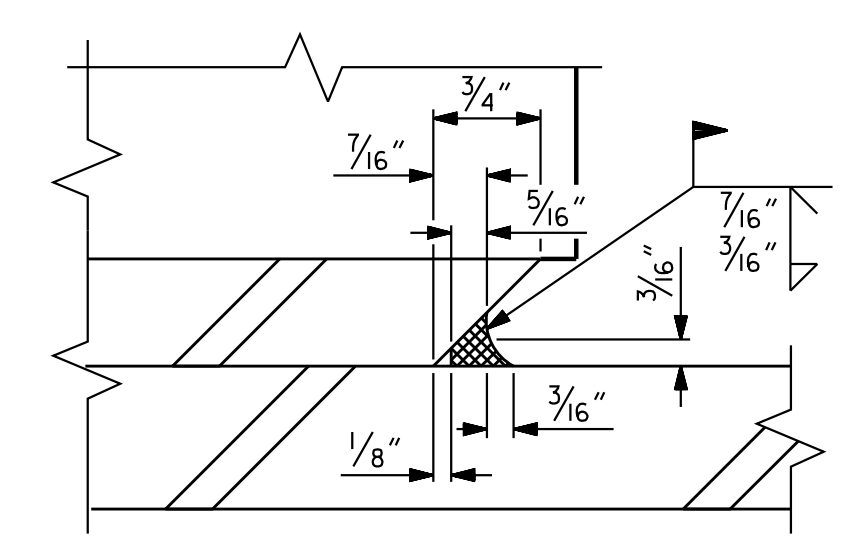
TYPICAL SECTION OF ELASTOMERIC BEARINGS



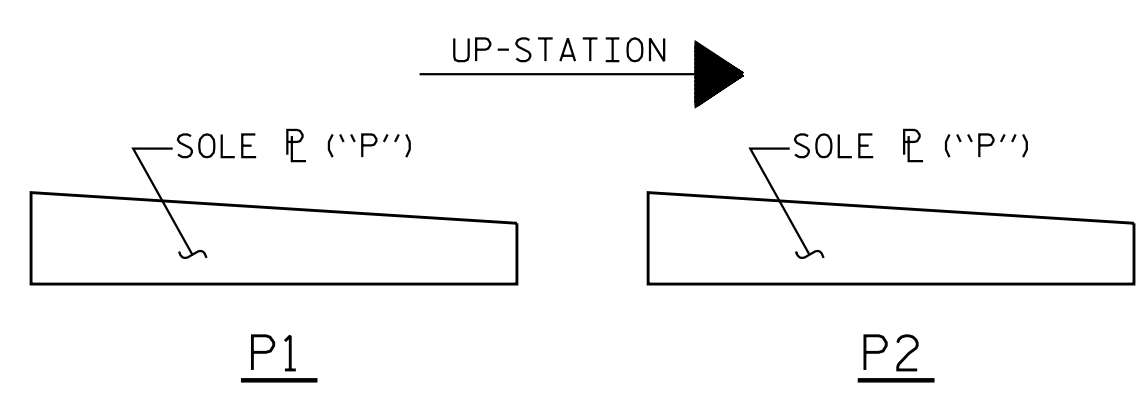
E1 (14 REQ'D) PLAN VIEW OF ELASTOMERIC BEARING TYPE IV



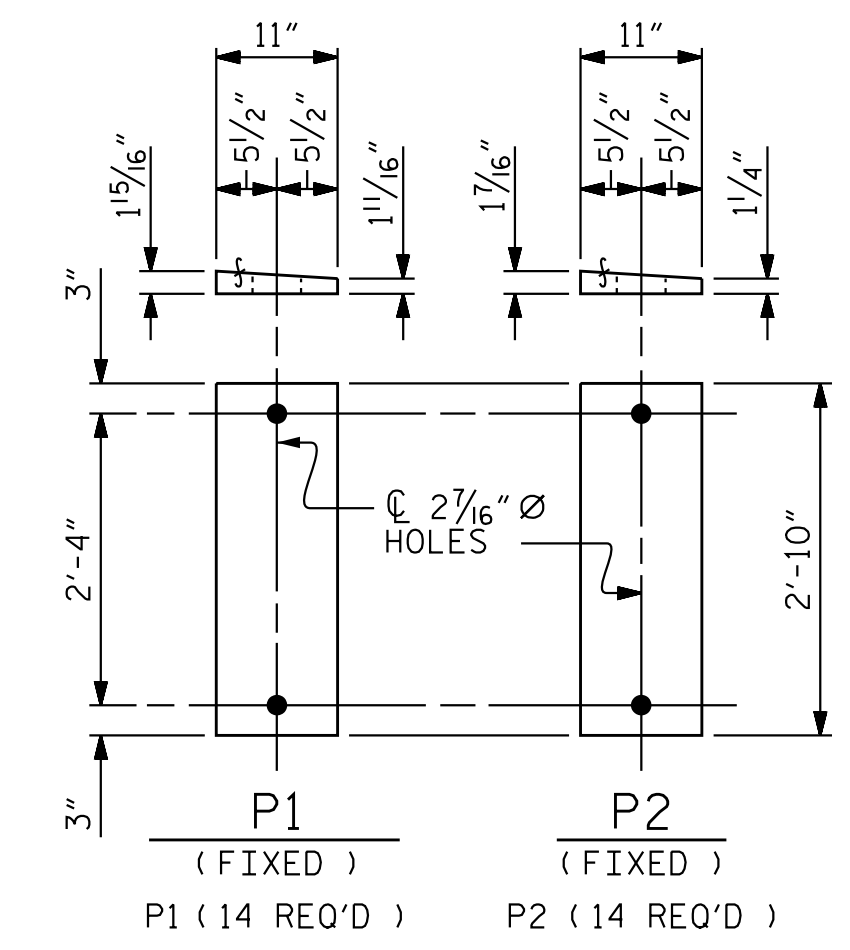
BENT DIAPHRAGM BLOCKOUT DETAIL



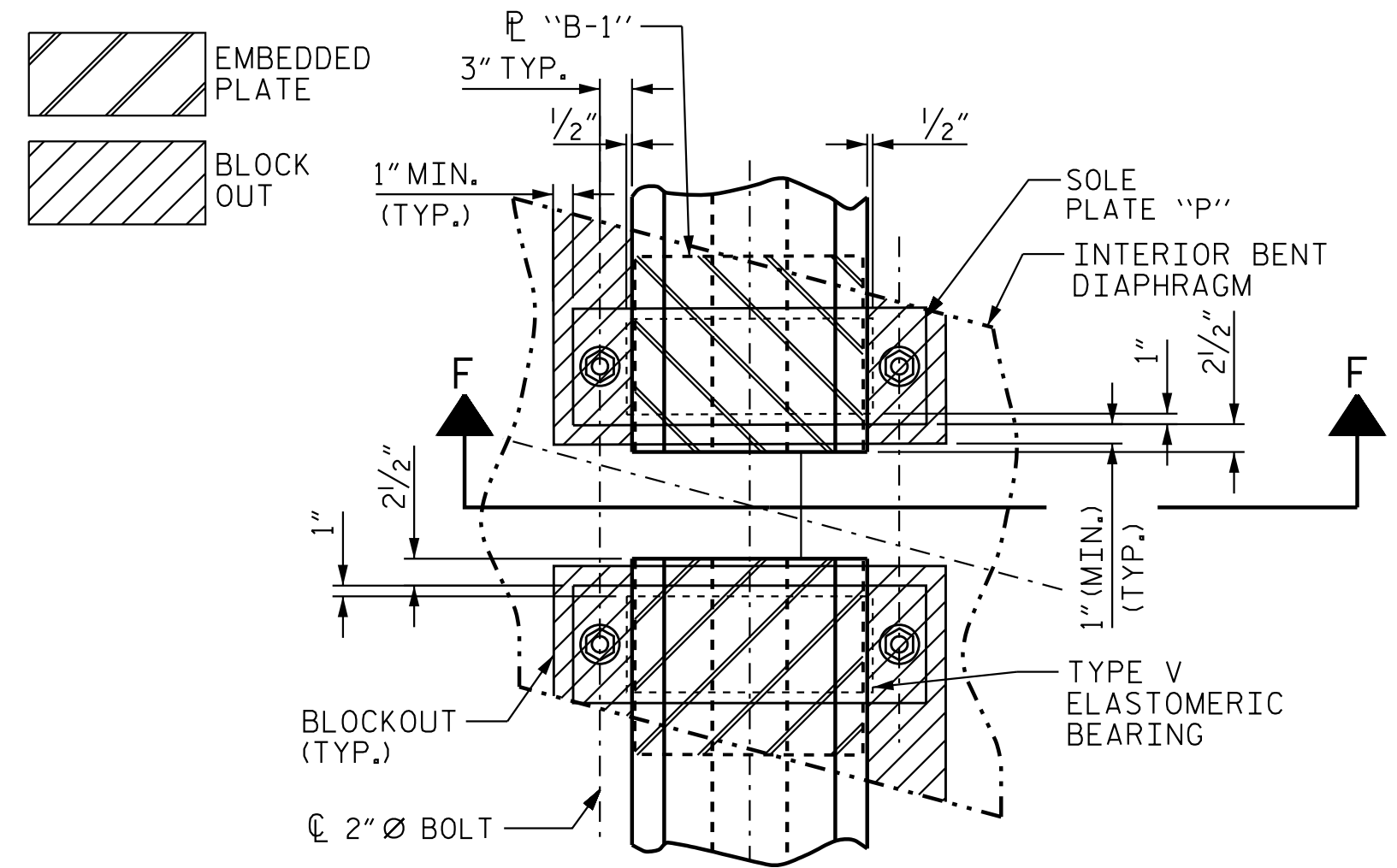
DETAIL "A"



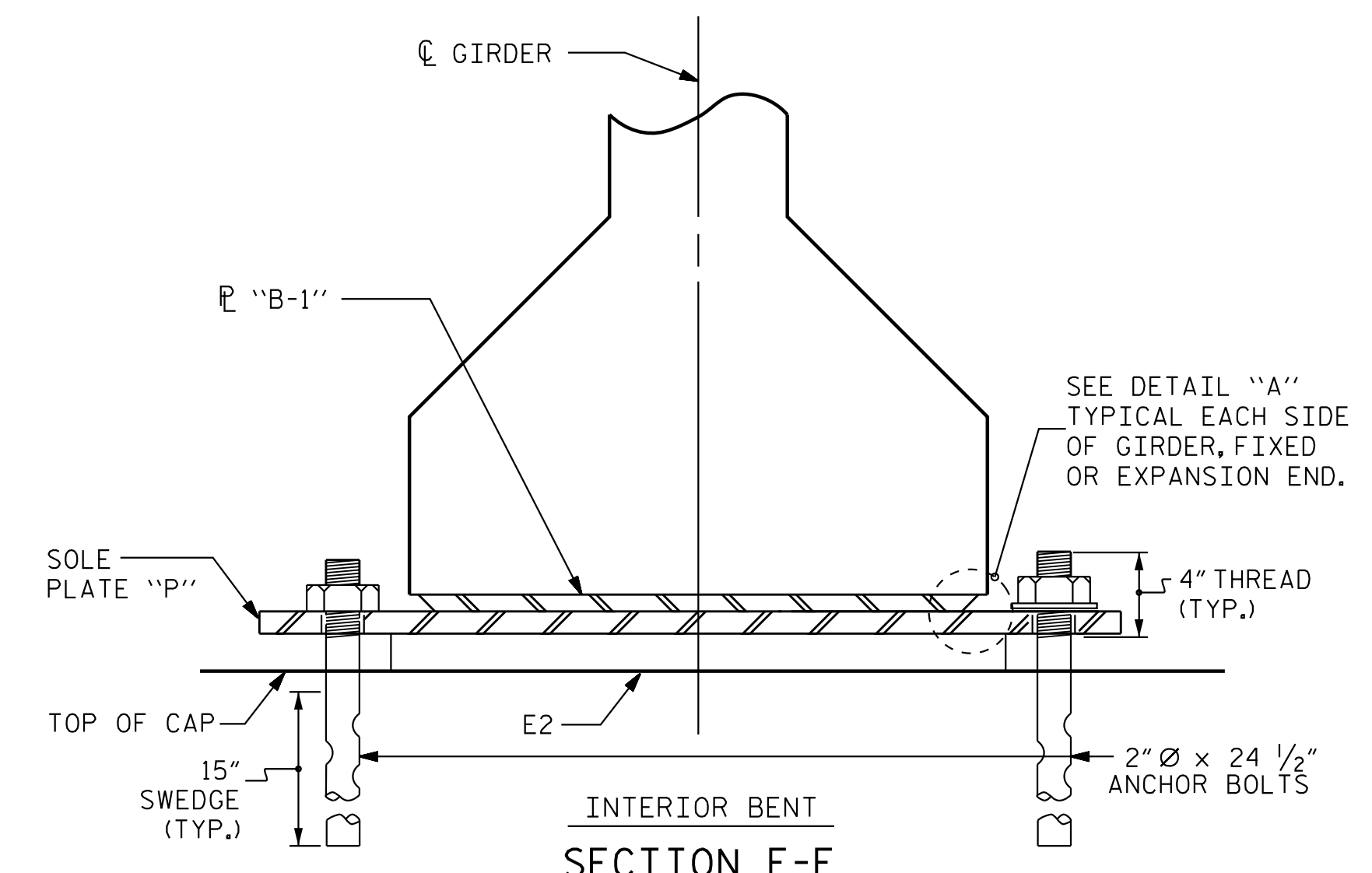
SOLE PLATE PLACEMENT DETAIL



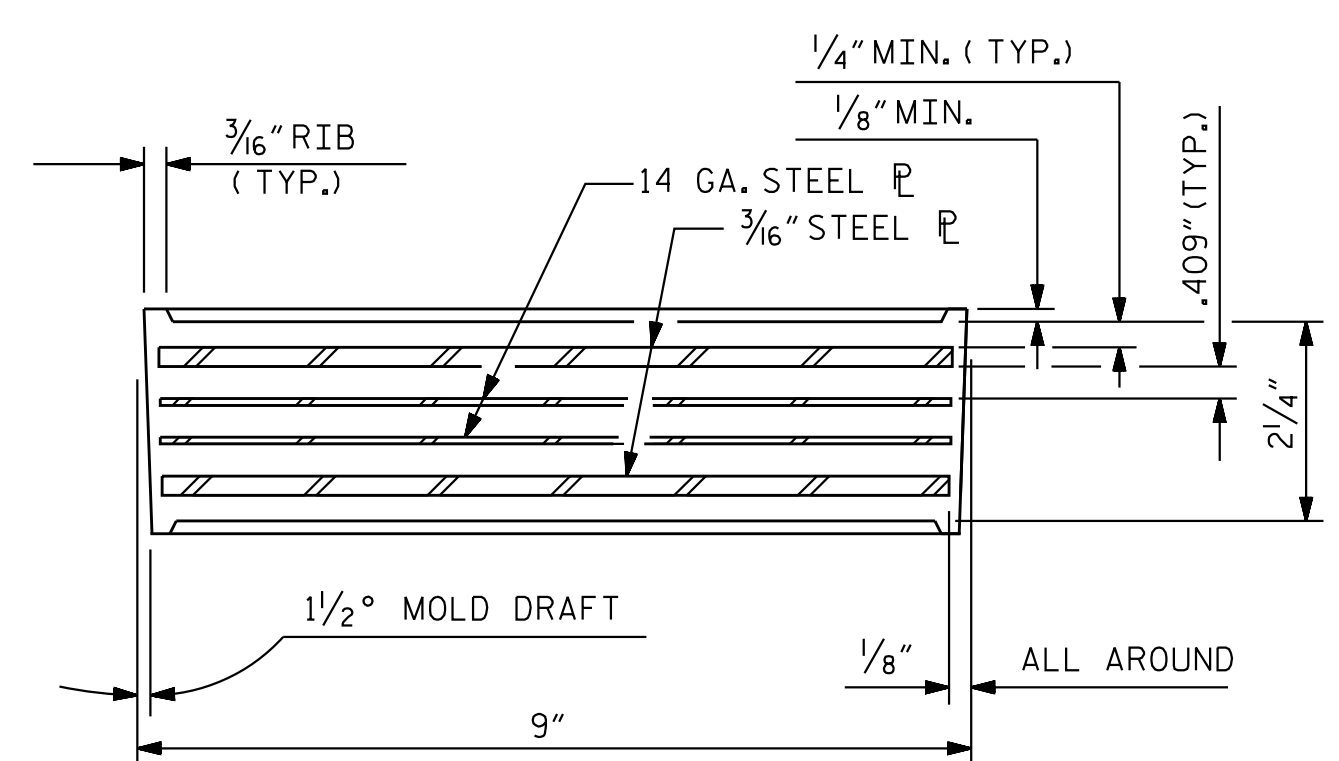
SOLE PLATE DETAILS ("P")



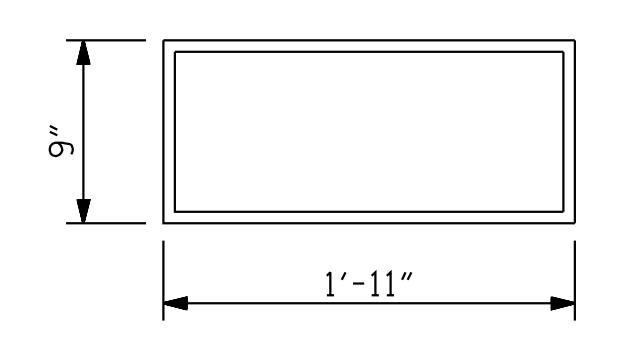
TYPICAL BEARING PLAN @ INTERIOR BENTS



INTERIOR BENT SECTION F-F



TYPICAL SECTION OF ELASTOMERIC BEARINGS



E2 (28 REQ'D) PLAN VIEW OF ELASTOMERIC BEARING TYPE V

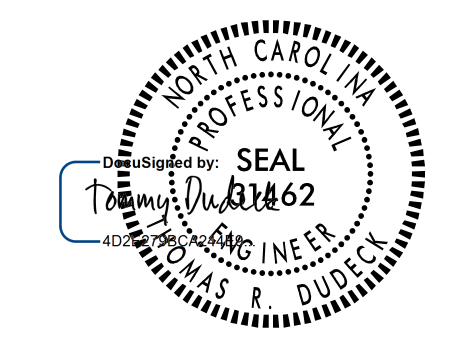
NOTES

- AT ALL FIXED POINTS OF SUPPORT, NUTS FOR ANCHOR BOLTS ARE TO BE TIGHTENED FINGER TIGHT AND THEN BACKED OFF 1/2 TURN. THE THREAD OF THE NUT AND BOLT SHALL THEN BE BURRED WITH A SHARP POINTED TOOL.
- STEEL SOLE PLATES, ANCHOR BOLTS, NUTS, AND WASHERS SHALL BE GALVANIZED IN ACCORDANCE WITH THE STANDARD SPECIFICATIONS.
- PRIOR TO WELDING, GRIND THE GALVANIZED SURFACE OF THE PORTION OF THE EMBEDDED PLATE AND SOLE PLATE THAT ARE TO BE WELDED. AFTER WELDING, DAMAGED GALVANIZED SURFACES SHALL BE REPAIRED IN ACCORDANCE WITH THE STANDARD SPECIFICATIONS.
- WHEN WELDING THE SOLE PLATE TO THE EMBEDDED PLATE IN THE GIRDER, USE TEMPERATURE INDICATING WAX PENS, OR OTHER SUITABLE MEANS, TO ENSURE THAT THE TEMPERATURE OF THE SOLE PLATE DOES NOT EXCEED 300°F. TEMPERATURES ABOVE THIS MAY DAMAGE THE ELASTOMER.
- SOLE PLATE "P", BOLTS, NUTS, WASHERS, AND PIPE SLEEVE SHALL BE INCLUDED IN THE PAY ITEM FOR PRESTRESSED CONCRETE GIRDERS.
- ANCHOR BOLTS SHALL MEET THE REQUIREMENTS OF ASTM A449. NUTS SHALL MEET THE REQUIREMENTS OF AASHTO M291-DH OR AASHTO M292-2H. WASHERS SHALL MEET THE REQUIREMENTS OF AASHTO M293. SHOP DRAWINGS ARE NOT REQUIRED FOR ANCHOR BOLT, NUTS AND WASHERS. SHOP INSPECTION IS REQUIRED.
- ALL SURFACES OF BEARING PLATES SHALL BE SMOOTH AND STRAIGHT.
- THE ELASTOMER IN THE STEEL REINFORCED BEARINGS SHALL HAVE A SHEAR MODULUS OF 0.160 KSI, IN ACCORDANCE WITH AASHTO M251.
- FOR STEEL REINFORCED ELASTOMERIC BEARINGS, SEE SPECIAL PROVISIONS.
- ALL SOLE PLATES SHALL BE AASHTO M270 GRADE 36.

MAXIMUM ALLOWABLE SERVICE LOADS	
D.L.+L.L. (NO IMPACT)	
TYPE IV	225 k
TYPE V	365 k

PROJECT NO. U-2525C
 GUILFORD COUNTY
 STATION: 337+20.09 -L-

STATE OF NORTH CAROLINA
 DEPARTMENT OF TRANSPORTATION
 RALEIGH
 STANDARD
 ELASTOMERIC BEARING
 DETAILS
 PRESTRESSED CONCRETE GIRDER
 (RL)



1/16/2018
 DOCUMENT NOT CONSIDERED FINAL UNLESS ALL SIGNATURES COMPLETED

REVISIONS						TOTAL SHEETS
NO.	BY:	DATE:	NO.	BY:	DATE:	38
1			3			
2			4			

1/12/2018 5:45:31PM jgelle U:\Structures\Drawings\Site 5\Final\RL U-2525C-SD_BG.Ldgn

Stantec Consulting Services Inc.
 801 Jones Franklin Road
 Suite 300
 Raleigh, NC 27606
 Tel. (919) 851-6866
 Fax. (919) 851-7024
 www.stantec.com
 License No. F-0672

DRAWN BY: N. D'AIUTO DATE: 01-26-17
 CHECKED BY: V.E. FRAGA DATE: 05-18-18
 DESIGN ENGINEER OF RECORD: T.R. DUDECK DATE: 01/16/18