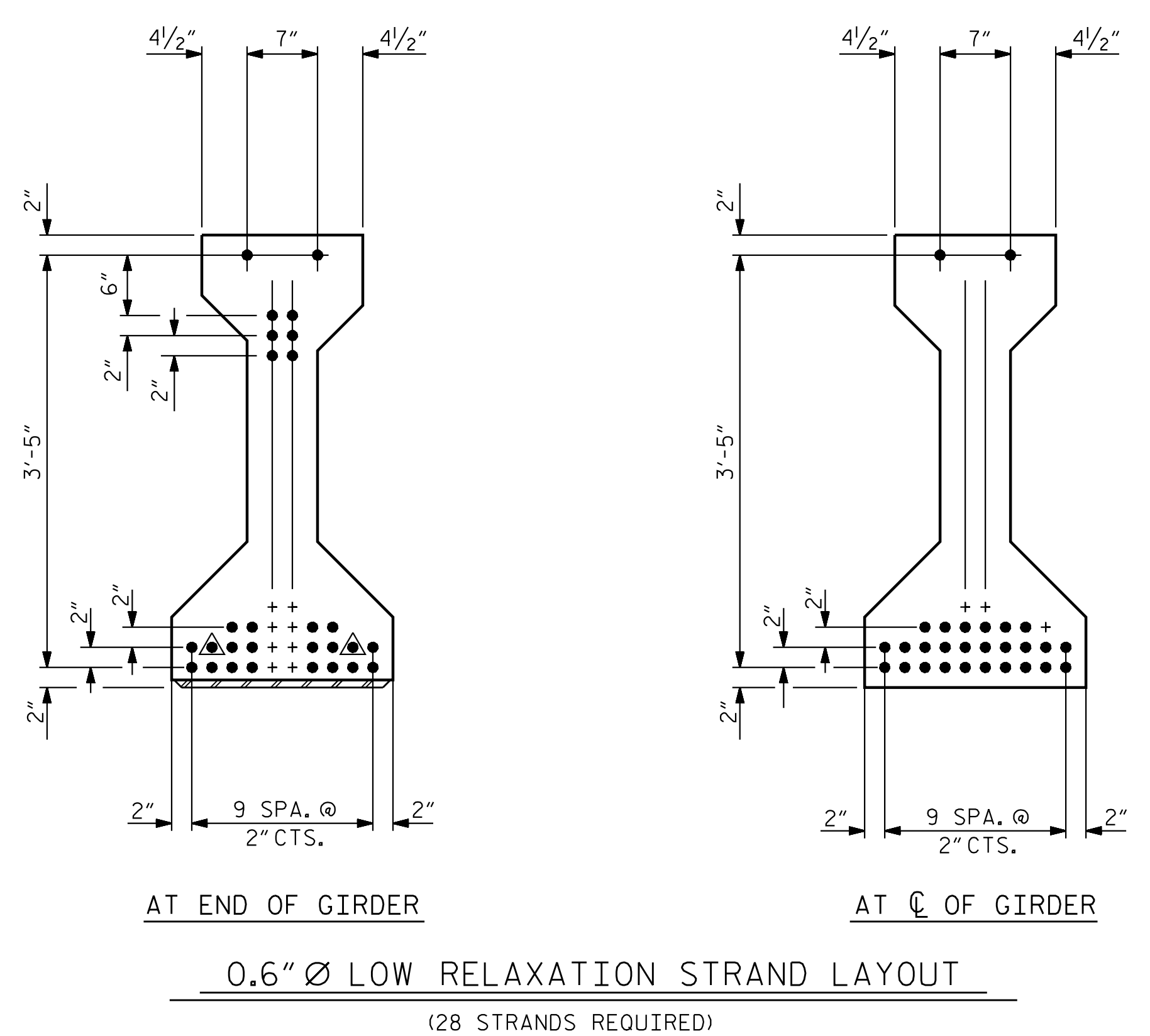


* FOR S6 BARS, SEE DETAIL "A" OF PRESTRESSED CONCRETE GIRDER CONTINUOUS FOR LIVE LOAD DETAILS SHEET

DEBONDING LEGEND
 ● FULLY BONDED STRAND
 ▲ STRAND DEBONDED 10'-0" FROM GIRDER END



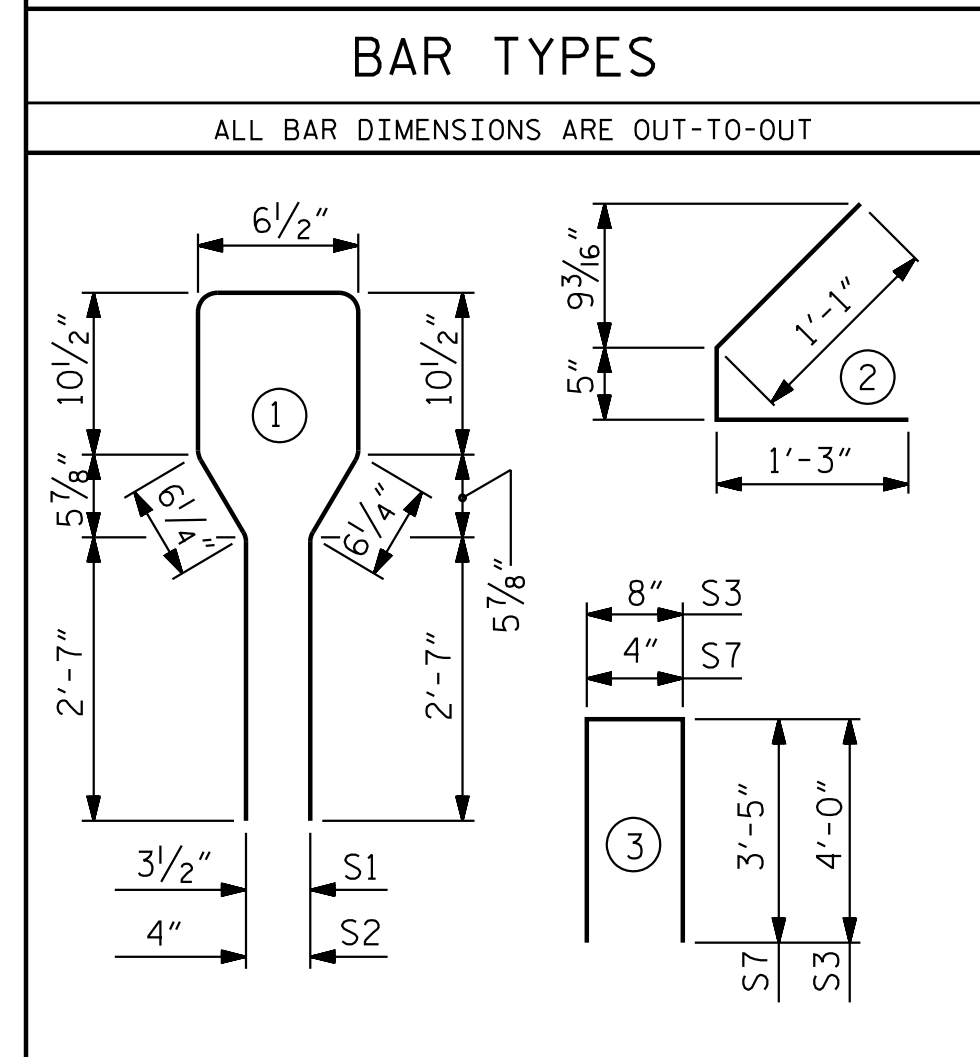
0.6" Ø L. R. GRADE 270 STRANDS

AREA (SQ. INCHES)	ULTIMATE STRENGTH (LBS. PER STRAND)	APPLIED PRESTRESS (LBS. PER STRAND)
0.217	58,600	43,950

REINFORCING STEEL FOR ONE GIRDER

BAR	NUMBER	SIZE	TYPE	LENGTH	WEIGHT
S1	50	#4	1	8'-6"	284
S2	34	#5	1	8'-6"	302
S3	4	#4	3	8'-8"	24
S4	68	#4	2	2'-9"	125
*S6	8	#5	STR	3'-8"	31
S7	2	#5	3	7'-2"	15
S8	5	#4	STR	7'-0"	24

* NOTE: S6 BARS SHALL BE BENT BEFORE SHIPMENT. HEAT BENDING SHALL NOT BE ALLOWED.

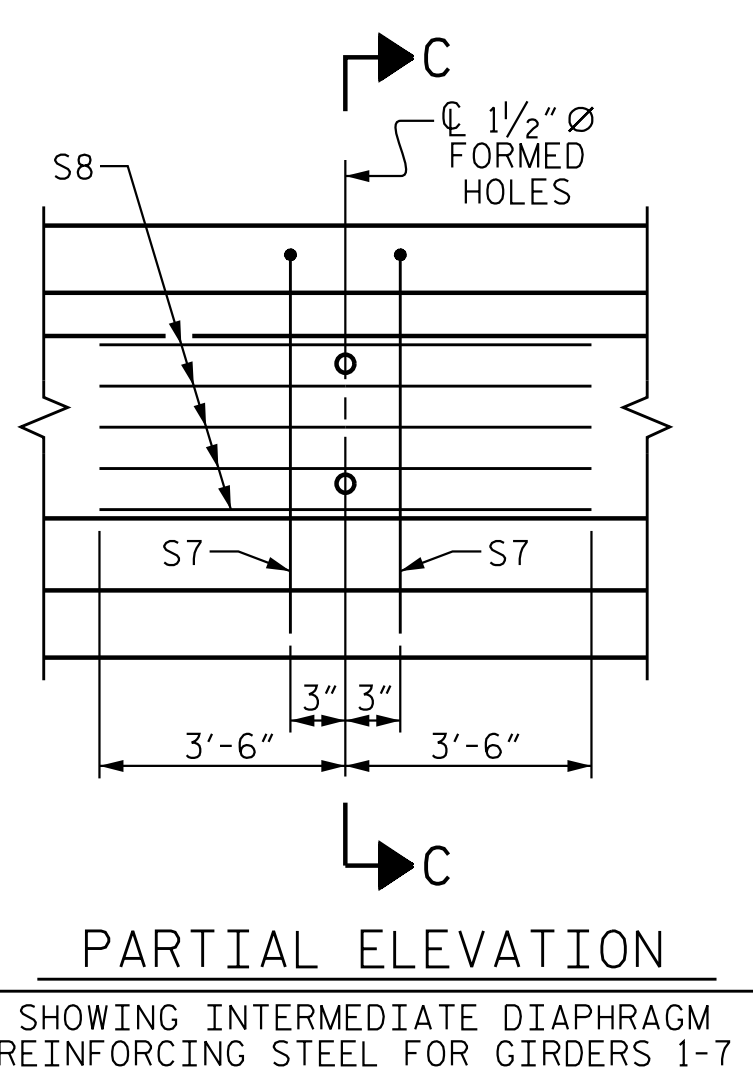
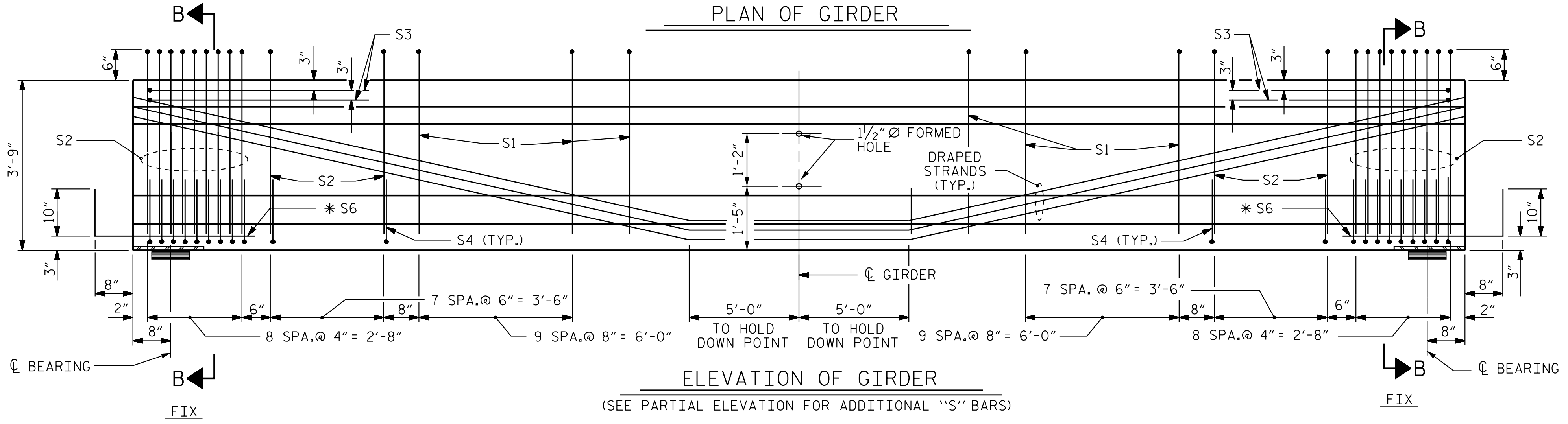
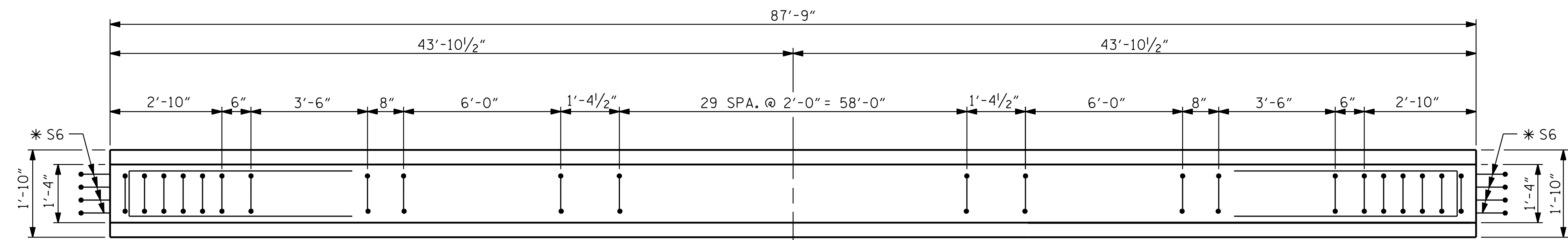


QUANTITIES FOR ONE GIRDER

	REINFORCING STEEL (LB.)	10,000 PSI CONCRETE (C.Y.)	0.6" Ø L. R. STRANDS (No.)
ALL GIRDERS	805	12.6	28

GIRDERS REQUIRED

NUMBER	LENGTH	TOTAL LENGTH
7	87'-9"	614'-3"

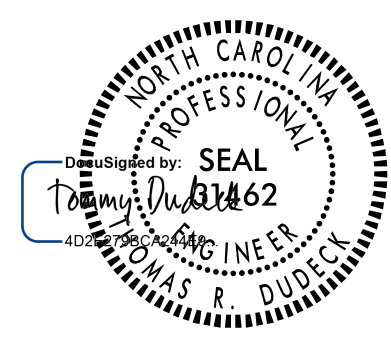


1/12/2018 5:49:06 PM jgelle
 U:\Structures\Drawings\Site 5\Final\RL U-2525C_SD_PCC.2.dgn



Stantec Consulting Services Inc.
 801 Jones Franklin Road
 Suite 300
 Raleigh, NC 27606
 Tel. (919) 851-6966
 Fax. (919) 851-7024
 www.stantec.com
 License No. F-0672

ASSEMBLED BY : N. D'AIUTO	DATE : 01/25/17
CHECKED BY : V. E. FRAGA	DATE : 05-18-17
DRAWN BY : ELR 8/91	REV. 5/1/06R TLA/GM
CHECKED BY : GRP 8/91	REV. 10/1/11 MAA/GM
	REV. 1/15 MAA/TMG
DESIGN ENGINEER OF RECORD: T.R. DUDECK	DATE: 01/16/18



DOCUMENT NOT CONSIDERED FINAL UNLESS ALL SIGNATURES COMPLETED

PROJECT NO. U-2525C
 GUILFORD COUNTY
 STATION: 337+20.09 -L-

SHEET 2 OF 4

STATE OF NORTH CAROLINA
 DEPARTMENT OF TRANSPORTATION
 RALEIGH

STANDARD
 AASHTO TYPE III
 PRESTRESSED CONCRETE GIRDER
 CONTINUOUS FOR LIVE LOAD
 (SPAN B)

REVISIONS						SHEET NO. S5-13
NO.	BY:	DATE:	NO.	BY:	DATE:	
1			3			TOTAL SHEETS 38
2			4			

STR. #5