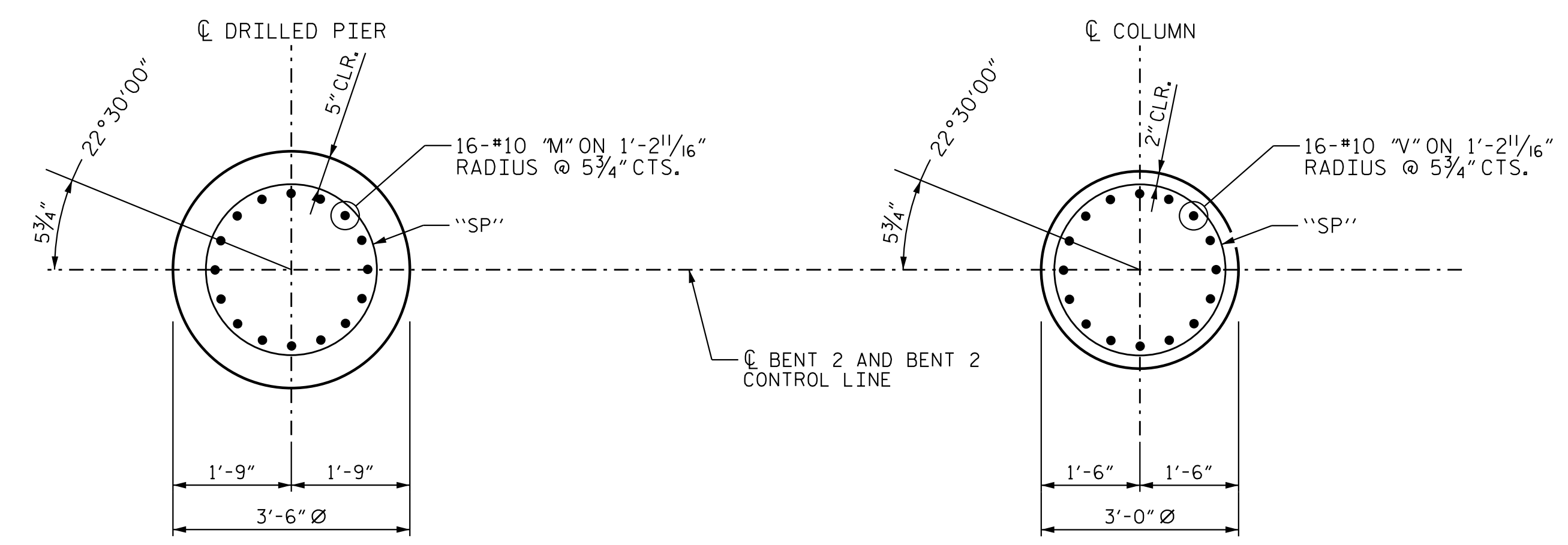
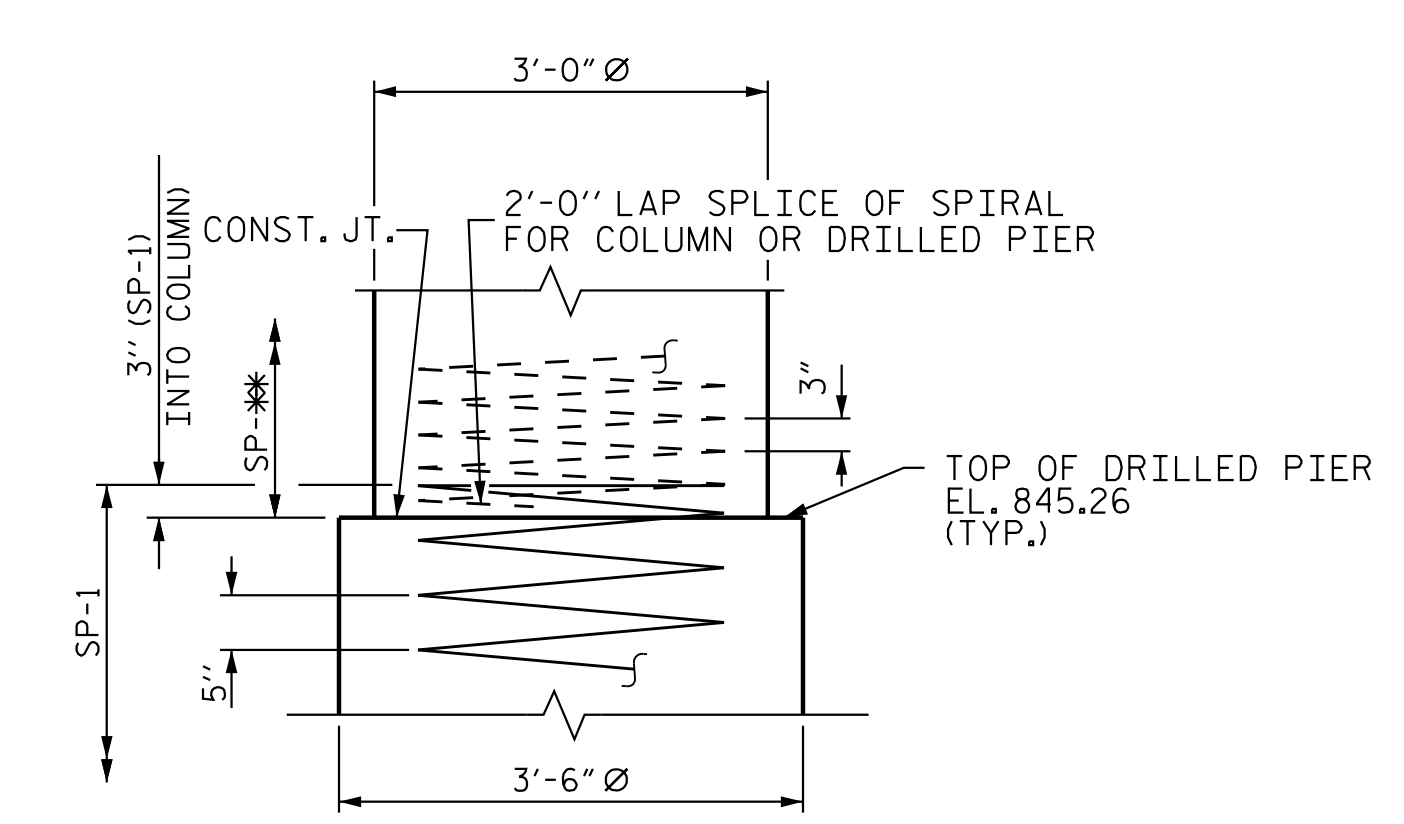


PLAN OF DRILLED PIERS



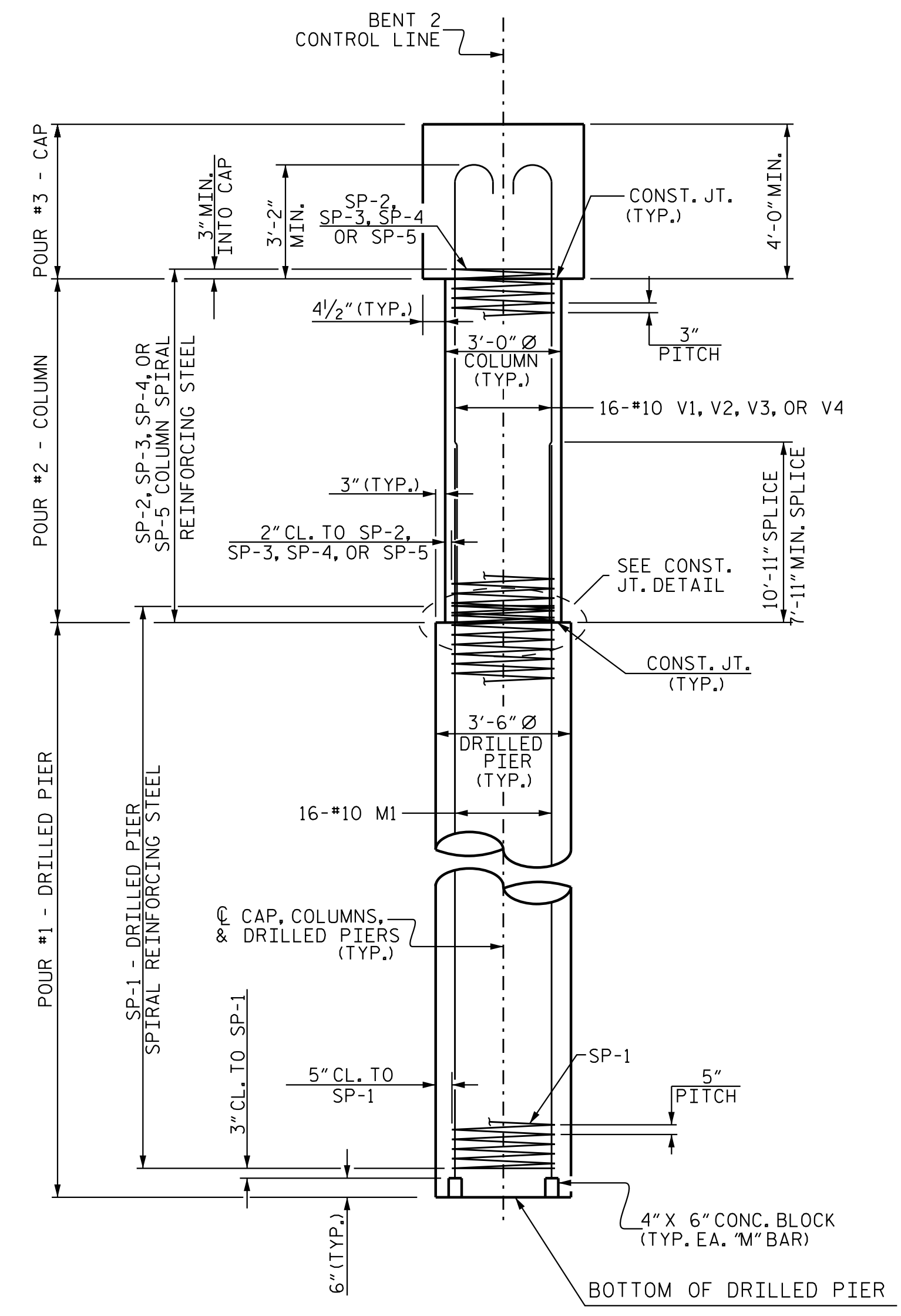
SECTION THRU DRILLED PIER TYPICAL ALL DRILLED PIERS

SECTION THRU COLUMN TYPICAL ALL COLUMNS



CONSTRUCTION JOINT DETAIL

SP-\*\* DENOTES SP-2, SP-3, SP-4, OR SP-5

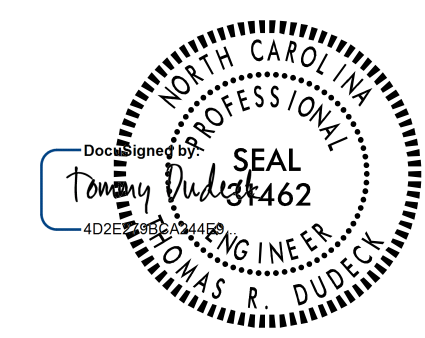


END ELEVATION

PROJECT NO. U-2525C  
 GUILFORD COUNTY  
 STATION: 337+20.09 -L-

SHEET 2 OF 3

STATE OF NORTH CAROLINA  
 DEPARTMENT OF TRANSPORTATION  
 RALEIGH  
 SUBSTRUCTURE  
 BENT 2 DETAILS  
 (LL)



REVISIONS						SHEET NO. S4-31
NO.	BY:	DATE:	NO.	BY:	DATE:	
1			3			TOTAL SHEETS 39
2			4			

DOCUMENT NOT CONSIDERED FINAL UNLESS ALL SIGNATURES COMPLETED

STR. #4

1/12/2018 5:33:45 PM jgeile  
 U:\Structures\Drawing\Site 5\Final\U-2525C-SD\_B\*-2.dgn

Stantec Consulting Services Inc.  
 801 Jones Franklin Road  
 Suite 300  
 Raleigh, NC 27606  
 Tel. (919) 851-6866  
 Fax. (919) 851-7024  
 www.stantec.com  
 License No. F-0672

DRAWN BY: J. B. GEILE DATE: 01-30-17  
 CHECKED BY: V. E. FRAGA DATE: 05-05-17  
 DESIGN ENGINEER OF RECORD: T. R. DUDECK DATE: 01/16/18