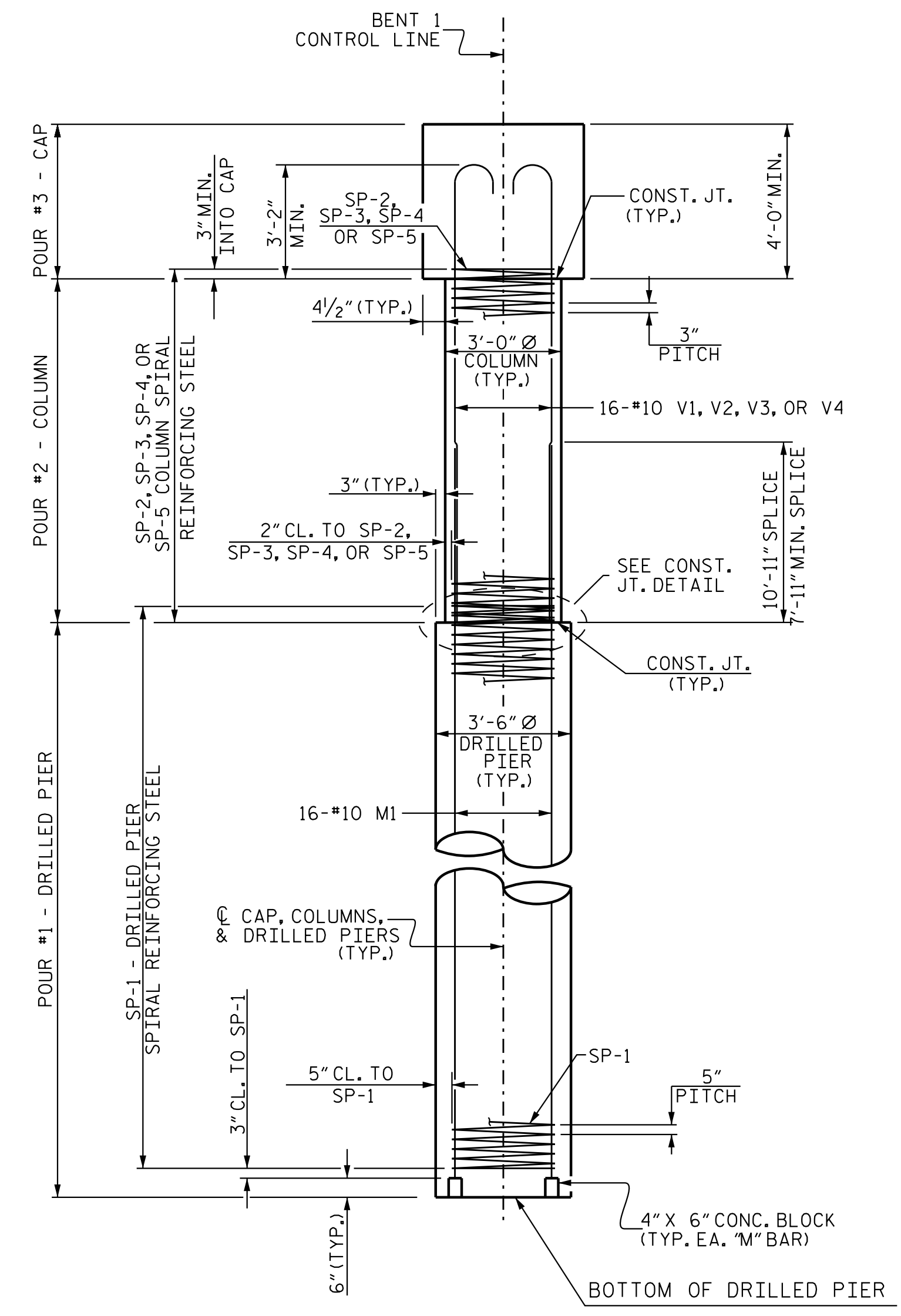
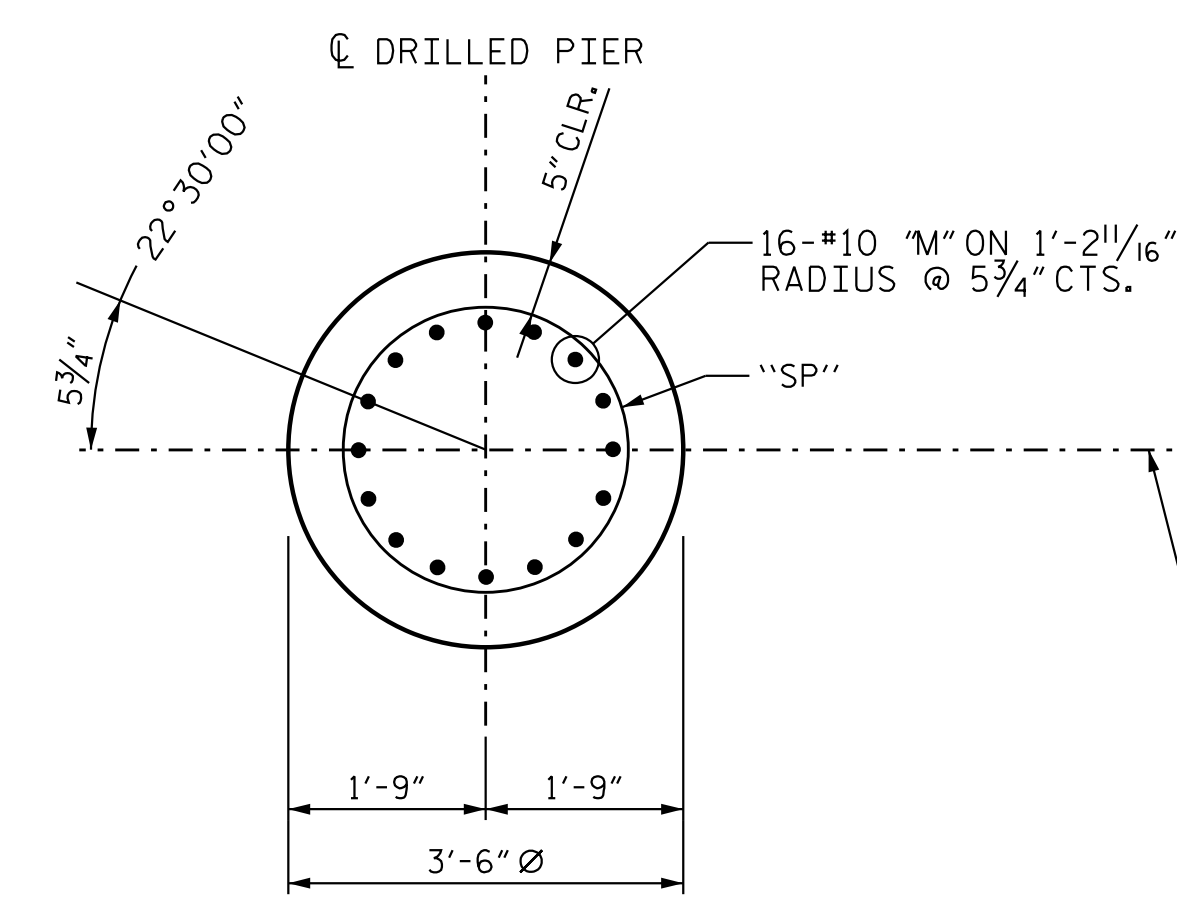


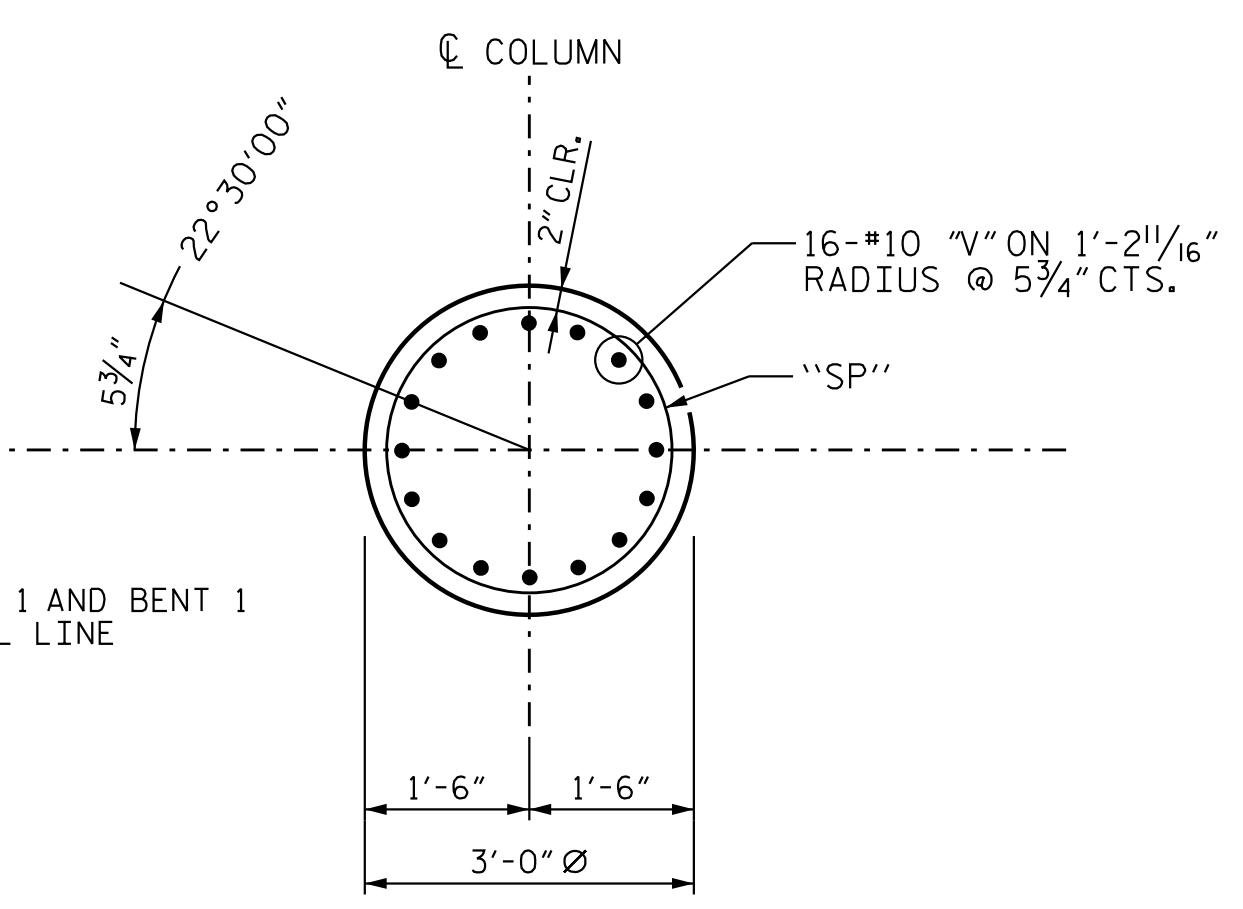
PLAN OF DRILLED PIERS



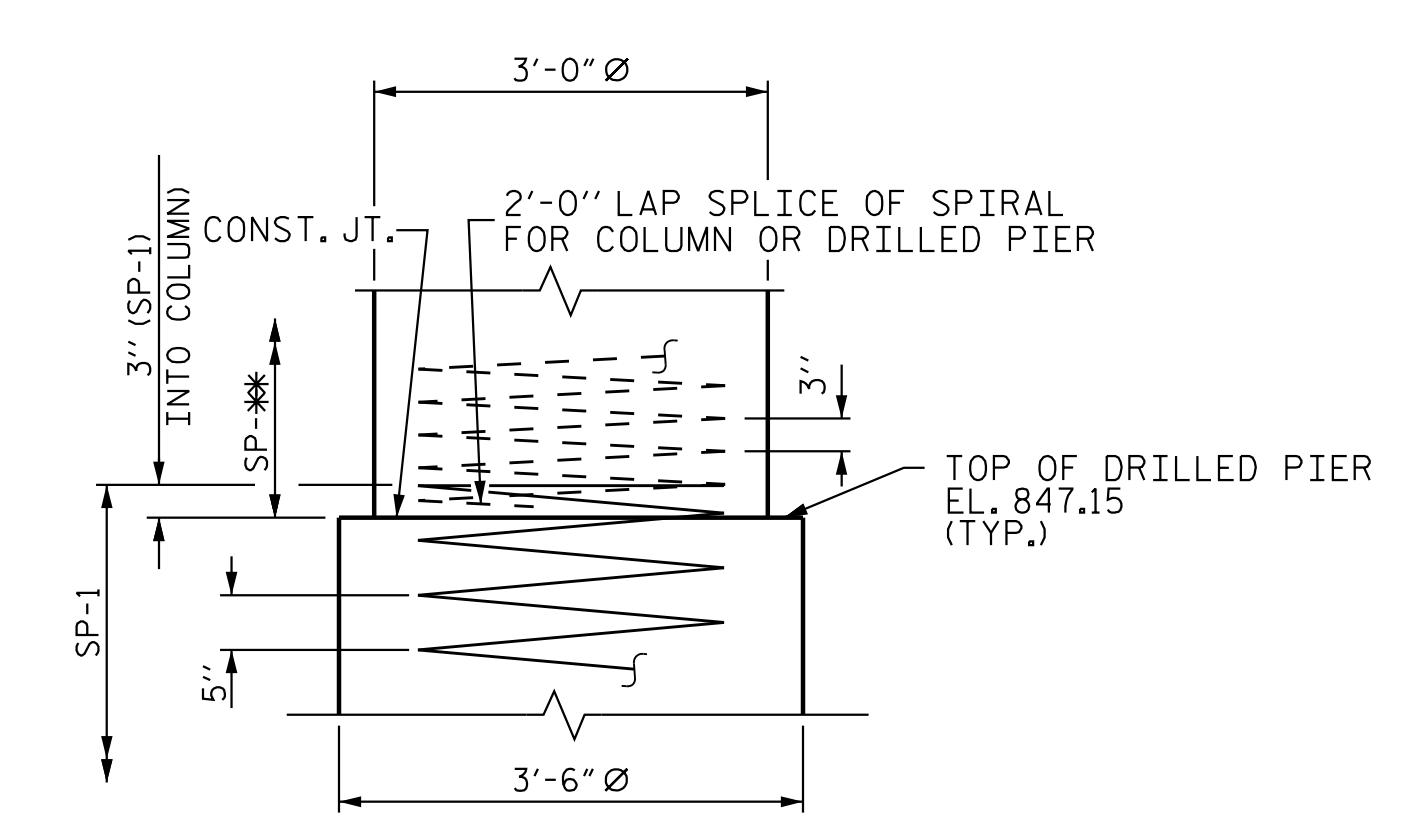
END ELEVATION



SECTION THRU DRILLED PIER TYPICAL ALL DRILLED PIERS



SECTION THRU COLUMN TYPICAL ALL COLUMNS



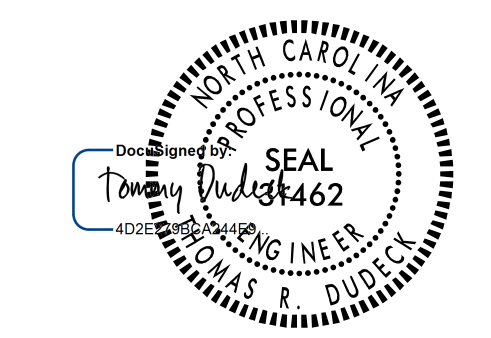
CONSTRUCTION JOINT DETAIL

SP-* DENOTES SP-2, SP-3, SP-4, OR SP-5

PROJECT NO. U-2525C
 GUILFORD COUNTY
 STATION: 337+20.09 -L-

SHEET 2 OF 3

STATE OF NORTH CAROLINA
 DEPARTMENT OF TRANSPORTATION
 RALEIGH
 SUBSTRUCTURE
 BENT 1 DETAILS
 (LL)



REVISIONS						SHEET NO. S4-28
NO.	BY:	DATE:	NO.	BY:	DATE:	
1			3			TOTAL SHEETS 39
2			4			

DOCUMENT NOT CONSIDERED FINAL UNLESS ALL SIGNATURES COMPLETED

STR. #4

1/12/2018 5:33:53 PM jgeile
 U:\Structures\Drawing\Site 5\Final\LU-2525C-SD_B*_1.2.dgn

Stantec Consulting Services Inc.
 801 Jones Franklin Road
 Suite 300
 Raleigh, NC 27606
 Tel. (919) 851-6866
 Fax. (919) 851-7024
 www.stantec.com
 License No. F-0672

DRAWN BY: J. B. GEILE DATE: 01-30-17
 CHECKED BY: V. E. FRAGA DATE: 04-19-17
 DESIGN ENGINEER OF RECORD: T. R. DUDECK DATE: 01/16/18