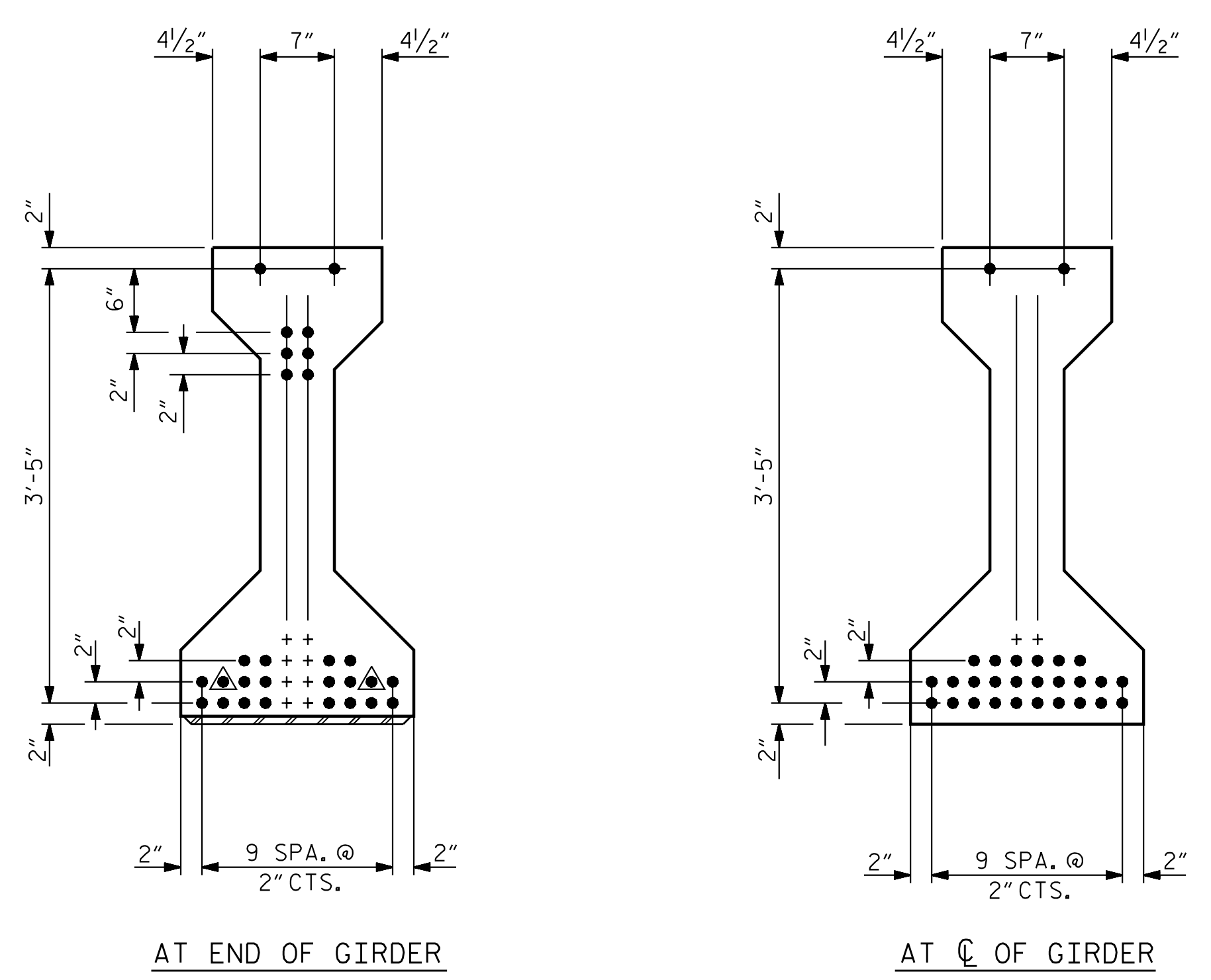


DEBONDING LEGEND
 ● FULLY BONDED STRAND
 ▲ STRAND DEBONDED 10'-0" FROM GIRDER END

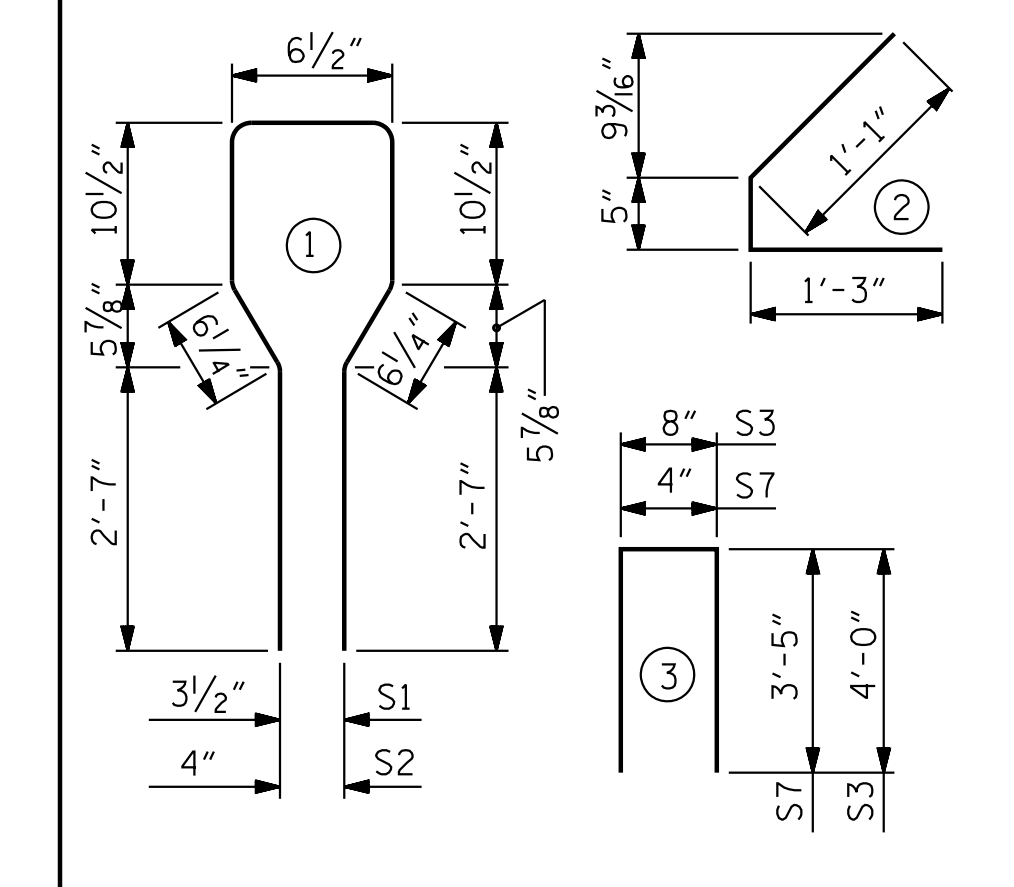


0.6" Ø L. R. GRADE 270 STRANDS		
AREA (SQ. INCHES)	ULTIMATE STRENGTH (LBS. PER STRAND)	APPLIED PRESTRESS (LBS. PER STRAND)
0.217	58,600	43,950

REINFORCING STEEL FOR ONE GIRDER					
BAR	NUMBER	SIZE	TYPE	LENGTH	WEIGHT
S1	50	#4	1	8'-6"	284
S2	34	#5	1	8'-6"	302
S3	4	#4	3	8'-8"	24
S4	68	#4	2	2'-9"	125
*S6	8	#5	STR	3'-8"	31
S7	2	#5	3	7'-2"	15
S8	5	#4	STR	7'-0"	24

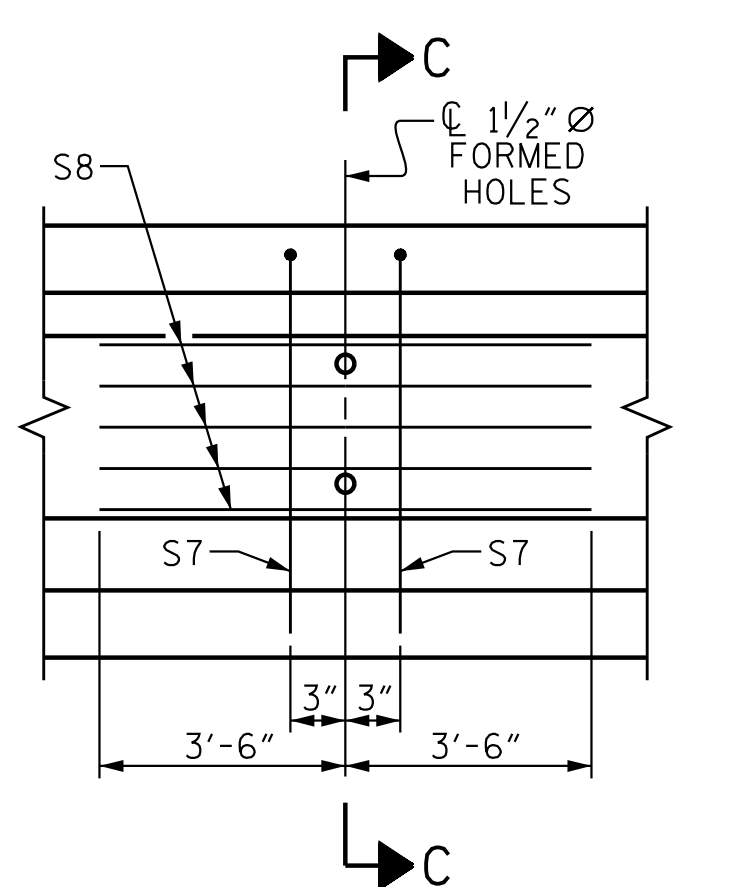
* NOTE: S6 BARS SHALL BE BENT BEFORE SHIPMENT. HEAT BENDING SHALL NOT BE ALLOWED.

BAR TYPES
 ALL BAR DIMENSIONS ARE OUT-TO-OUT

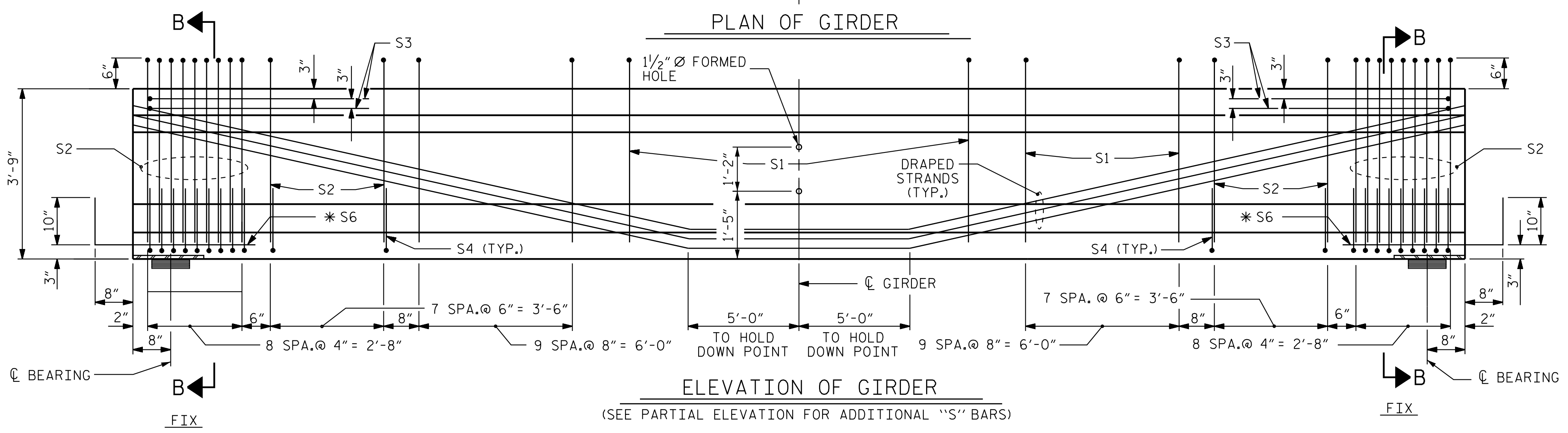
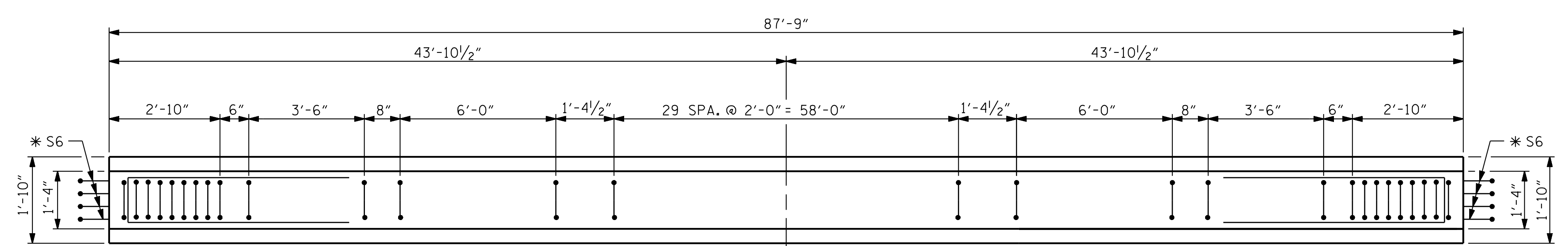


QUANTITIES FOR ONE GIRDER			
	REINFORCING STEEL LB.	10,000 PSI CONCRETE C.Y.	0.6" Ø L. R. STRANDS No.
ALL GIRDERS	805	12.6	28

GIRDERS REQUIRED		
NUMBER	LENGTH	TOTAL LENGTH
7	87'-9"	614'-3"

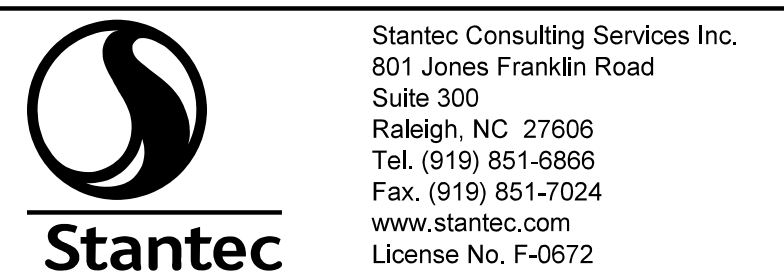


PARTIAL ELEVATION
 SHOWING INTERMEDIATE DIAPHRAGM REINFORCING STEEL FOR GIRDERS 1-7

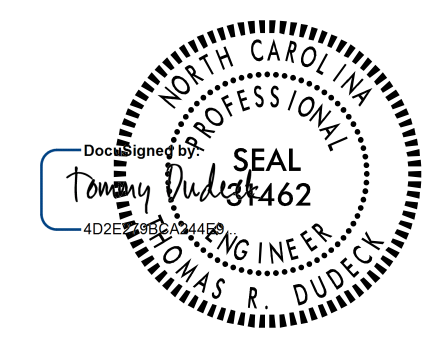


ELEVATION OF GIRDER
 (SEE PARTIAL ELEVATION FOR ADDITIONAL "S" BARS)

1/12/2018 5:33:16 PM jgelle U:\Structures\Drawings\Site 5\Final\U-2525C_SD_PCC_2.dgn



ASSEMBLED BY : N. D'AIUTO	DATE : 01/25/17
CHECKED BY : V.E. FRAGA	DATE : 03/09/17
DRAWN BY : ELR 8/91	REV. 5/1/06R TLA/GM
CHECKED BY : GRP 8/91	REV. 10/1/11 MAA/GM
	REV. 1/15 MAA/TMG
DESIGN ENGINEER OF RECORD: T.R. DUDECK	DATE : 01/16/18



DOCUMENT NOT CONSIDERED FINAL UNLESS ALL SIGNATURES COMPLETED

PROJECT NO. U-2525C
 GUILFORD COUNTY
 STATION: 337+20.09 -L-

REVISIONS						SHEET NO.
NO.	BY:	DATE:	NO.	BY:	DATE:	S4-13
1			3			TOTAL SHEETS
2			4			39

STR. #4 STD. NO. PCG5