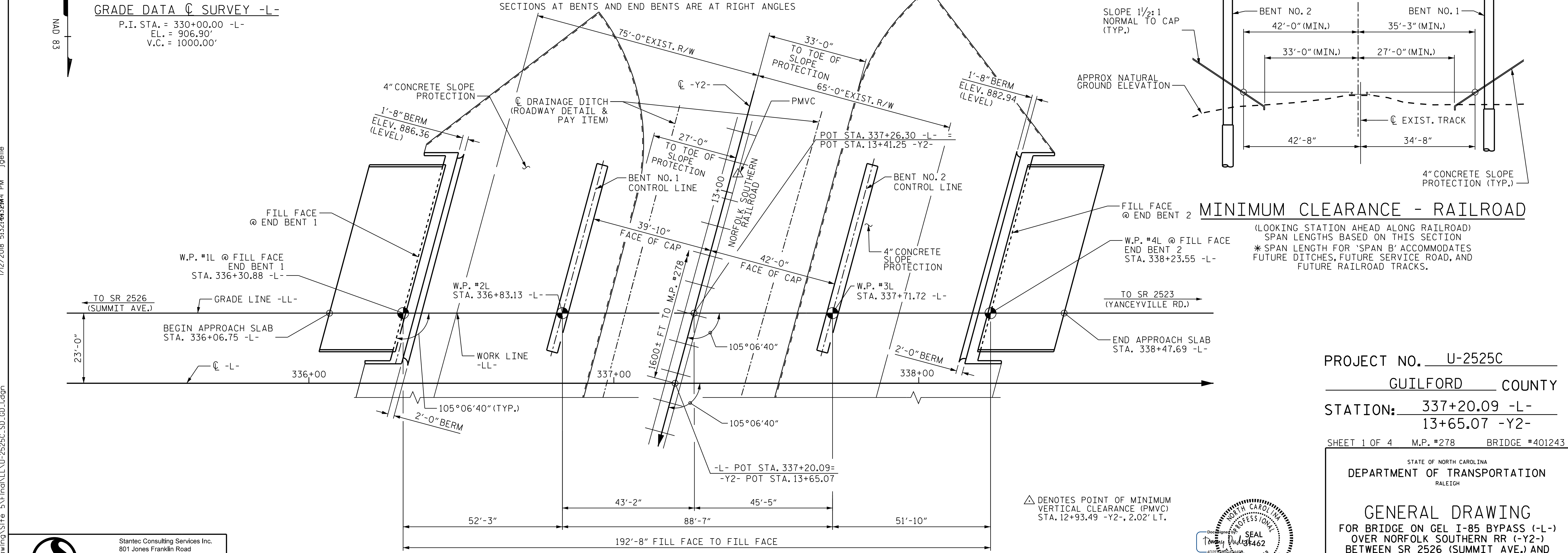
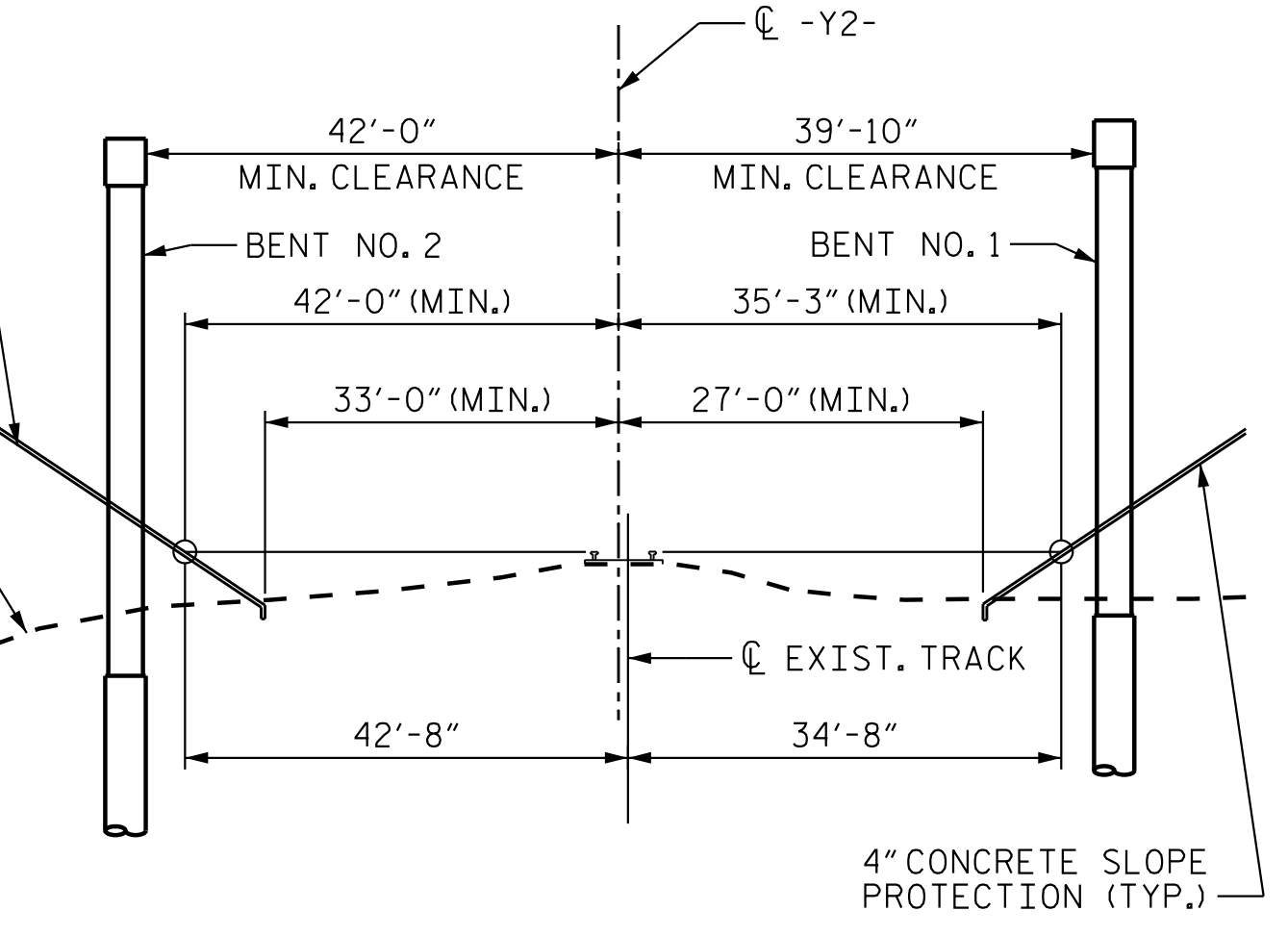


TOP OF RAIL ELEVATIONS		
TRACK STATION	LEFT RAIL	RIGHT RAIL
12+50.00	851.96	851.93
12+75.00	852.02	852.01
13+00.00	852.09	852.10
13+25.00	852.15	852.17
13+50.00	852.24	852.25
13+75.00	852.31	852.33
14+00.00	852.41	852.41
14+25.00	852.51	852.49
14+50.00	852.54	852.51

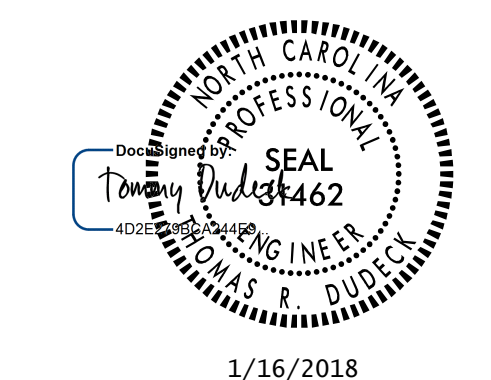
GRADE DATA @ SURVEY -L-
 (+)1.9974% (-)1.8126%
 P.I. STA. = 330+00.00 -L-
 EL. = 906.90'
 V.C. = 1000.00'



PROJECT NO. U-2525C
 GUILFORD COUNTY
 STATION: 337+20.09 -L-
13+65.07 -Y2-
 SHEET 1 OF 4 M.P. #278 BRIDGE #401243

STATE OF NORTH CAROLINA
 DEPARTMENT OF TRANSPORTATION
 RALEIGH
GENERAL DRAWING
 FOR BRIDGE ON GEL I-85 BYPASS (-L-) OVER NORFOLK SOUTHERN RR (-Y2-) BETWEEN SR 2526 (SUMMIT AVE.) AND SR 2523 (YANCEYVILLE RD.)
 (LL)

REVISIONS						SHEET NO. S4-1
NO.	BY:	DATE:	NO.	BY:	DATE:	
1			3			TOTAL SHEETS 39
2			4			



DOCUMENT NOT CONSIDERED FINAL UNLESS ALL SIGNATURES COMPLETED

Stantec
 Stantec Consulting Services Inc.
 801 Jones Franklin Road
 Suite 300
 Raleigh, NC 27606
 Tel. (919) 851-6866
 Fax. (919) 851-7024
 www.stantec.com
 License No. F-0672

DRAWN BY: J. B. GEILE DATE: 01-20-17
 CHECKED BY: M. B. ISENHOUR DATE: 04-20-17
 DESIGN ENGINEER OF RECORD: T. R. DUDECK DATE: 01/16/18

1/12/2018 5:32:43PM Jgeille U:\Structures\Drawings\Site 5\Final\LL U-2525C-SD_CD.dgn