

NOTES:

REMOVABLE FORMS MAY BE USED IN LIEU OF METAL STAY-IN-PLACE FORMS IN ACCORDANCE WITH ARTICLE 420-3 OF THE STANDARD SPECIFICATIONS.

PROVIDE 1/4" HIGH BEAM BOLSTERS UPPER AT 4'-0" CTS. ATOP THE METAL STAY-IN-PLACE FORMS TO SUPPORT THE BOTTOM MAT OF 'A' BARS. WHEN USING REMOVABLE FORMS, PROVIDE CONTINUOUS HIGH CHAIRS FOR METAL DECK (C.H.C.M.) @ 4'-0" CTS. WITH A HEIGHT TO SUPPORT THE BOTTOM MAT OF 'A' BARS A CLEAR DISTANCE OF 2 1/2" ABOVE THE TOP OF THE REMOVABLE FORM.

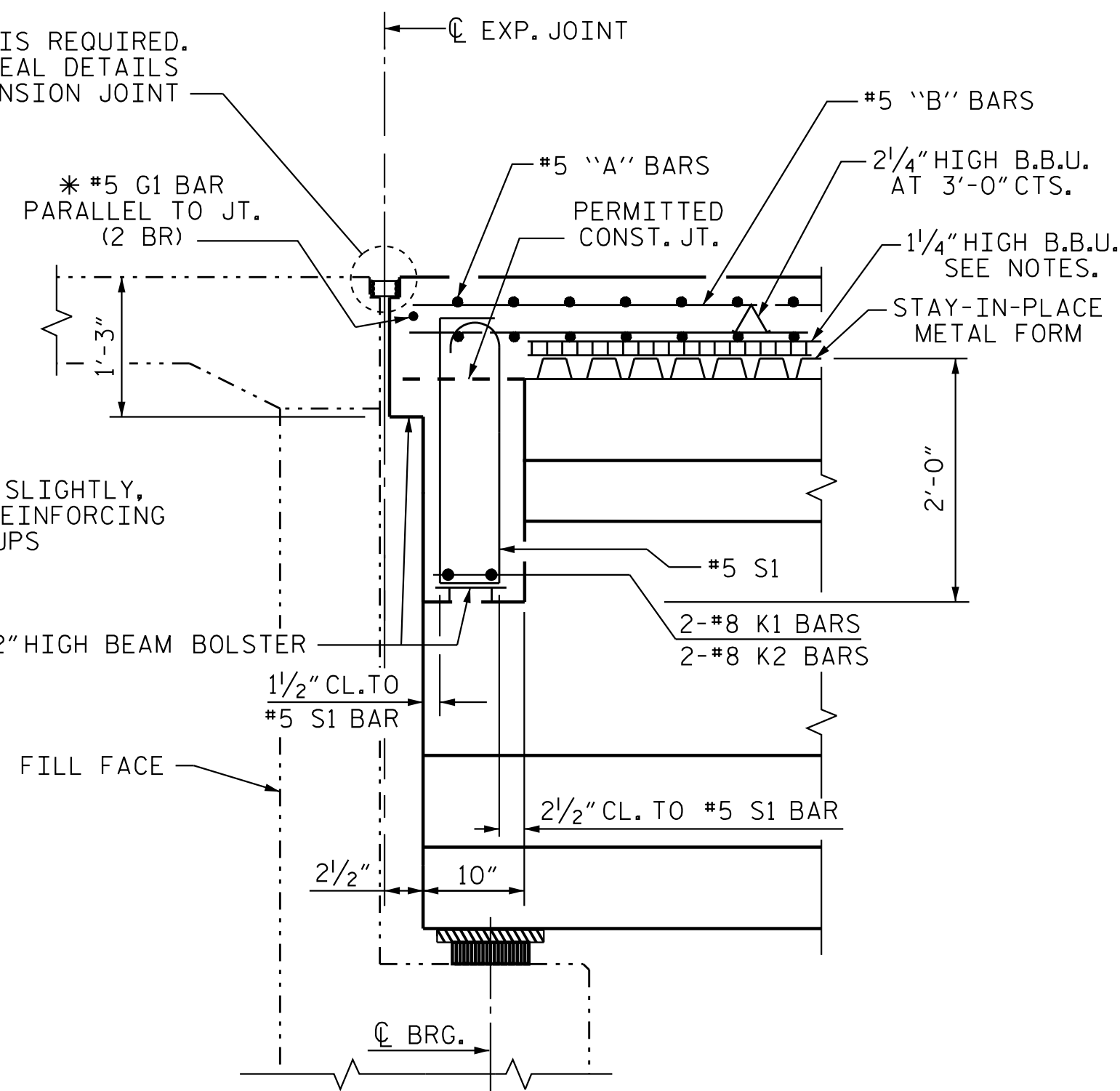
LONGITUDINAL STEEL MAY BE SHIFTED SLIGHTLY, AS NECESSARY, TO AVOID INTERFERENCE WITH STIRRUPS IN PRESTRESSED CONCRETE GIRDERS.

NO CHAMFER IS REQUIRED ON CORNERS OF GIRDER BUILDUPS.

PREVIOUSLY CAST CONCRETE IN A CONTINUOUS UNIT SHALL HAVE ATTAINED A MINIMUM COMPRESSIVE STRENGTH OF 3,000 PSI BEFORE ADDITIONAL CONCRETE IS CAST IN THE UNIT EXCEPT AS NOTED IN THE PLANS.

ALL REINFORCING STEEL IN CONCRETE BARRIER RAILS SHALL BE EPOXY COATED.

EXPANSION JOINT SEAL IS REQUIRED. FOR EXPANSION JOINT SEAL DETAILS AT END BENT, SEE "EXPANSION JOINT SEAL" SHEETS.



SECTION THROUGH DIAPHRAGM AT END BENT

BOTTOM OF OVERHANG ELEV. @ OUTSIDE EDGE OF SUPERSTR.		
OVERHANG	END BENT	ELEV.
LEFT SIDE	1	900.23
RIGHT SIDE	1	903.99
LEFT SIDE	2	900.35
RIGHT SIDE	2	904.11

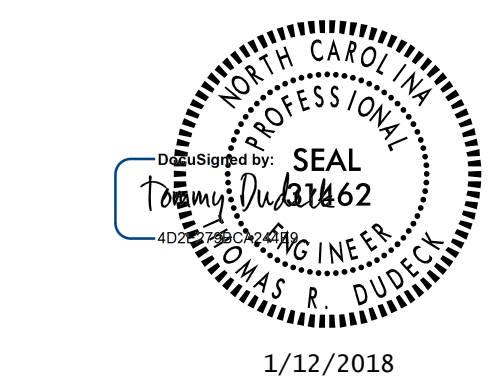
PROJECT NO. U-2525C
 GUILFORD COUNTY
 STATION: 329+95.42 -L-

SHEET 2 OF 2

STATE OF NORTH CAROLINA
 DEPARTMENT OF TRANSPORTATION
 RALEIGH

SUPERSTRUCTURE
 TYPICAL SECTION
 DETAILS
 (RL)

REVISIONS						SHEET NO.
NO.	BY:	DATE:	NO.	BY:	DATE:	S3-7
1			3			TOTAL SHEETS
2			4			29



DOCUMENT NOT CONSIDERED FINAL UNLESS ALL SIGNATURES COMPLETED

STR. #3

I:\9\2018 10:47:52 AM jgelle
 I:\Structures\Drawing\Site \WBL\RL\U-2525C\SD_TS-2.dgn

Stantec Consulting Services Inc.
 801 Jones Franklin Road
 Suite 300
 Raleigh, NC 27606
 Tel. (919) 851-6866
 Fax. (919) 851-7024
 www.stantec.com
 License No. F-0672

DRAWN BY : J. HAGENBUSH DATE : 12/09/16
 CHECKED BY : N. D'AIUTO DATE : 01/03/17
 DESIGN ENGINEER OF RECORD : T. R. DUDECK DATE : 01/12/18