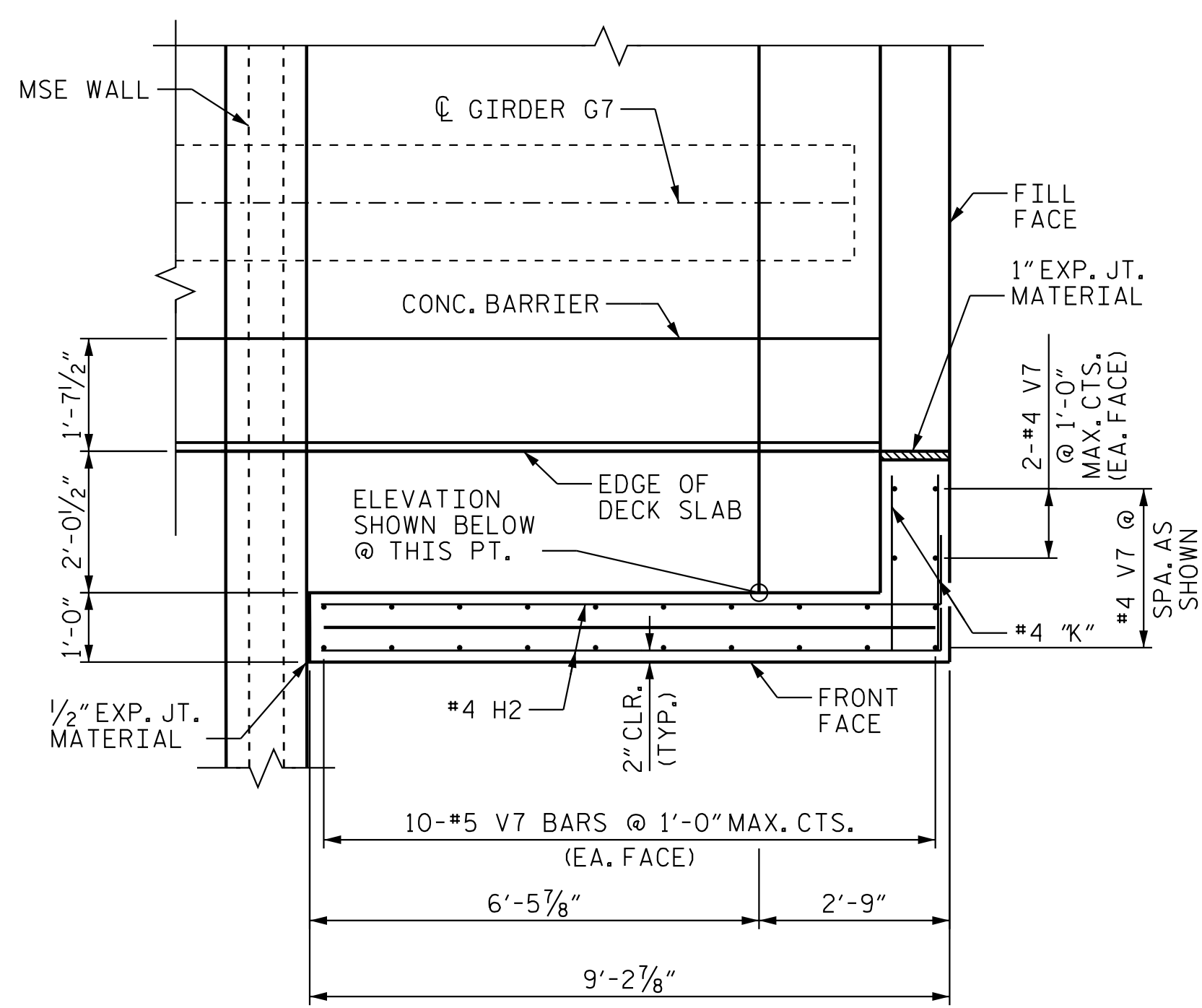
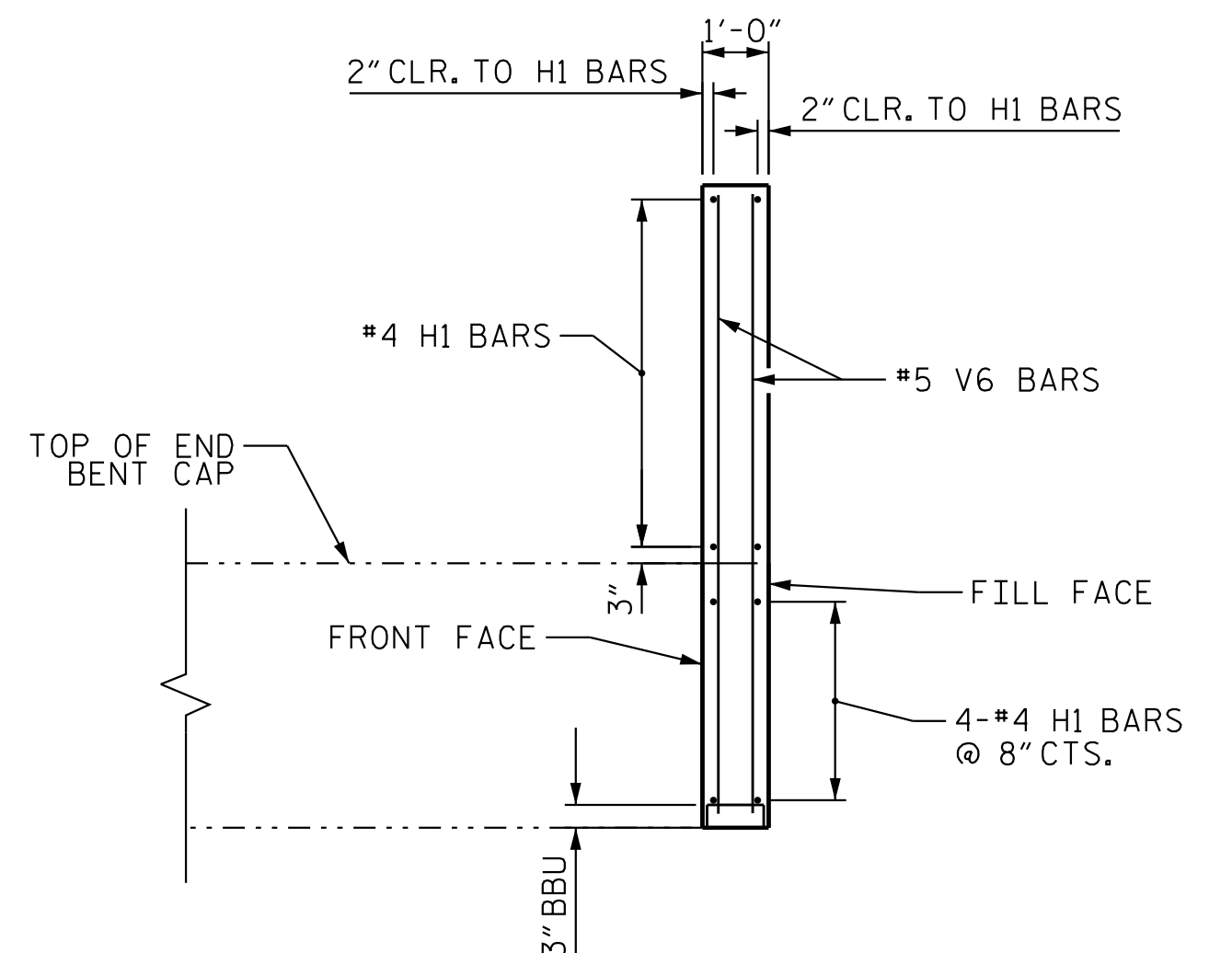


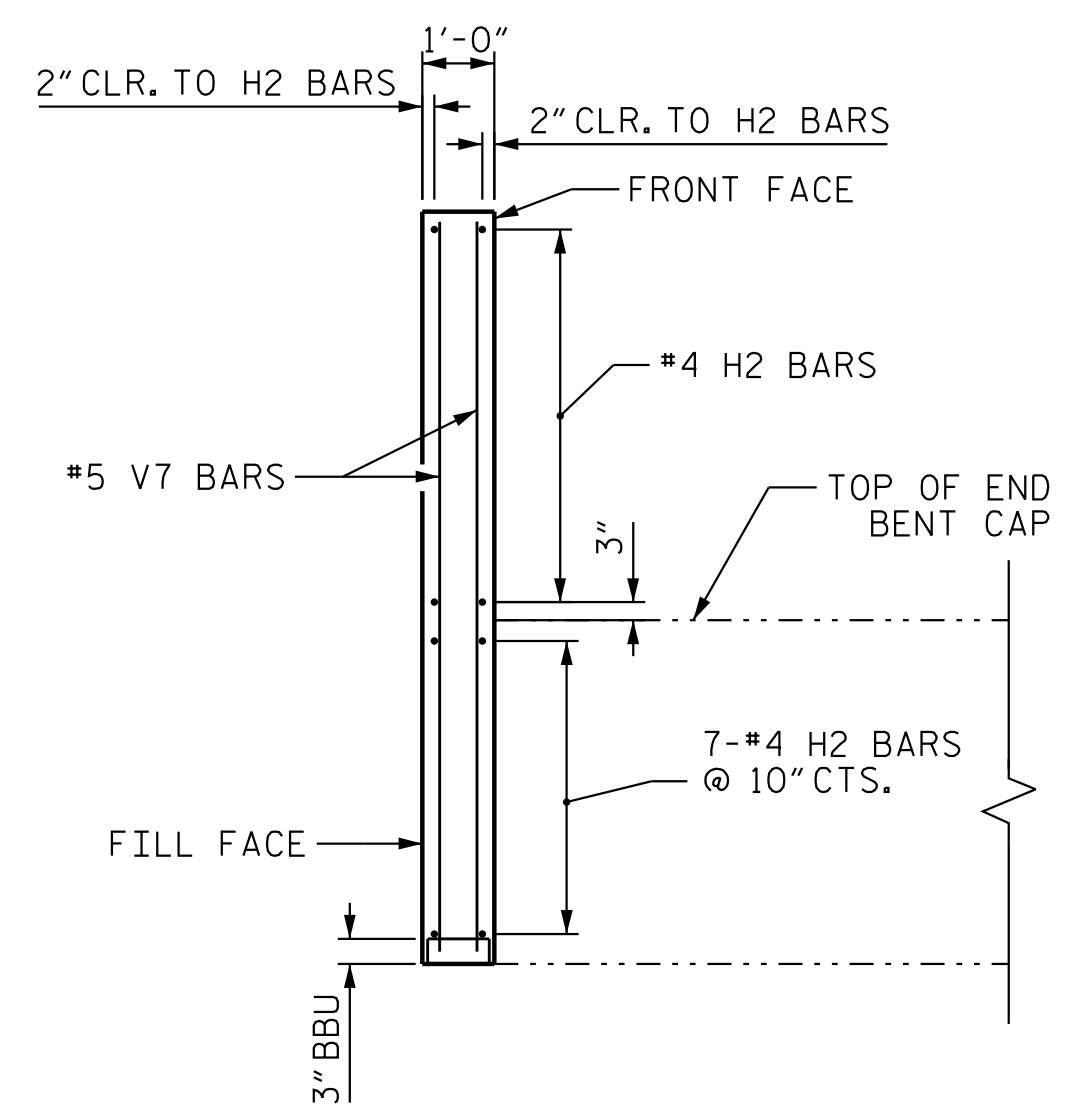
PLAN OF LEFT WING (W1)



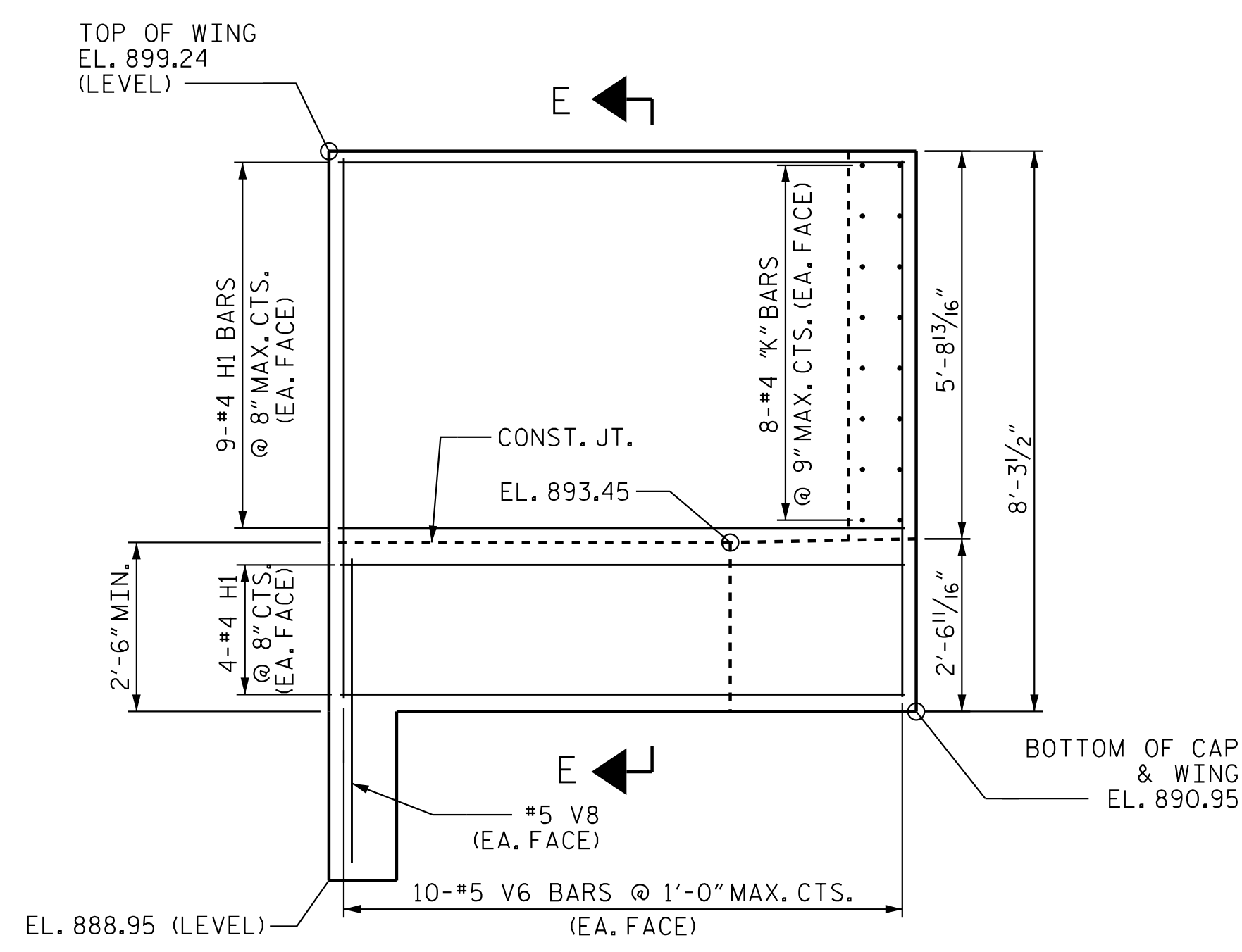
PLAN OF RIGHT WING (W2)



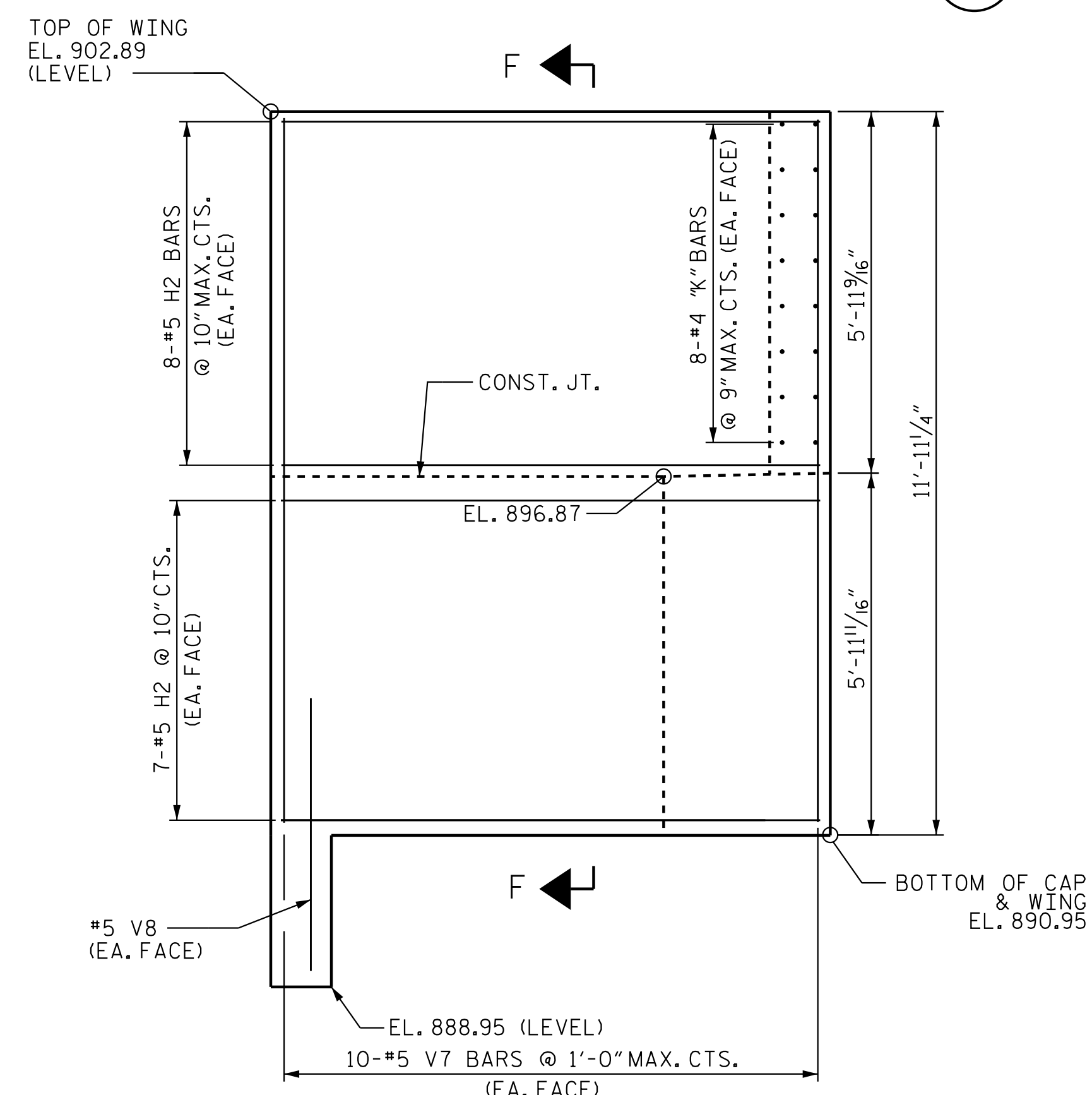
SECTION E-E



SECTION F-F

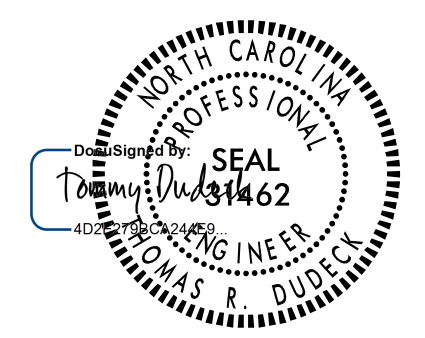


ELEVATION OF LEFT WING (W1)



ELEVATION OF RIGHT WING (W2)

NOTE: TOP SURFACE OF END BENT CAP BETWEEN EDGE OF DECK SLAB AND END OF CAP SHALL BE SLOPED TRANSVERSELY FROM FRONT FACE TO FILL FACE AT A RATE OF 1/4\"/>



1/12/2018

PROJECT NO. U-2525C  
 GUILFORD COUNTY  
 STATION: 329+95.42 -L-

SHEET 2 OF 3

STATE OF NORTH CAROLINA  
 DEPARTMENT OF TRANSPORTATION  
 RALEIGH

END BENT 2 WING  
 DETAILS

(LL)

REVISIONS						SHEET NO.	
NO.	BY:	DATE:	NO.	BY:	DATE:	S2-25	
1			3			TOTAL SHEETS	
2			4			29	

DOCUMENT NOT CONSIDERED FINAL UNLESS ALL SIGNATURES COMPLETED

STR. #2

1/9/2018 10:46:44AM jgelle  
 U:\Structures\Drawings\Site \NEBL\LU-2525C-SD.E-2.2.dgn

Stantec Consulting Services Inc.  
 801 Jones Franklin Road  
 Suite 300  
 Raleigh, NC 27606  
 Tel. (919) 851-6866  
 Fax. (919) 851-7024  
 www.stantec.com  
 License No. F-0672

DRAWN BY: N. D'AIUTO DATE: 10/14/16  
 CHECKED BY: M. B. ISENHOUR DATE: 01/09/17  
 DESIGN ENGINEER OF RECORD: T. R. DUDECK DATE: 01/12/18