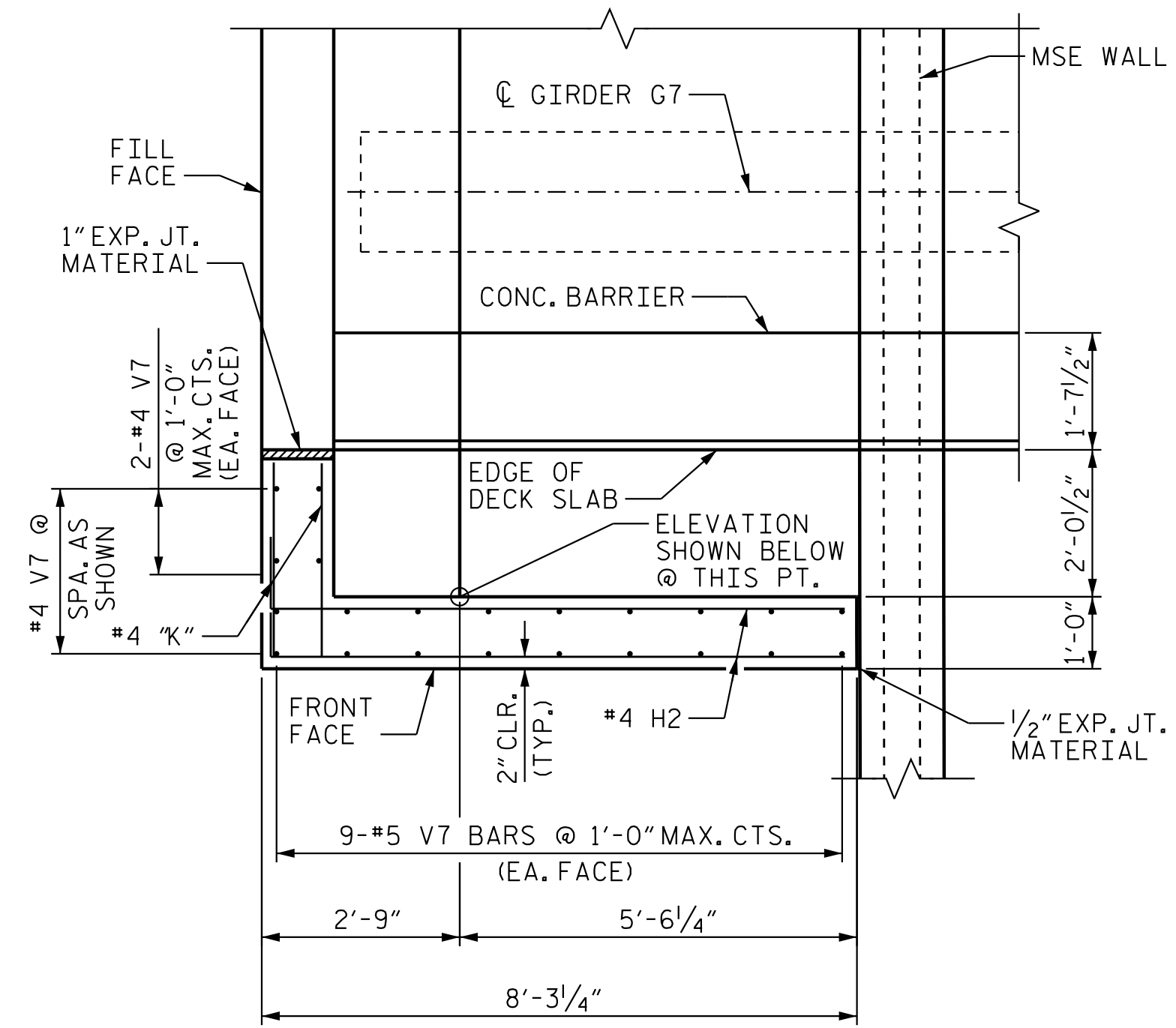
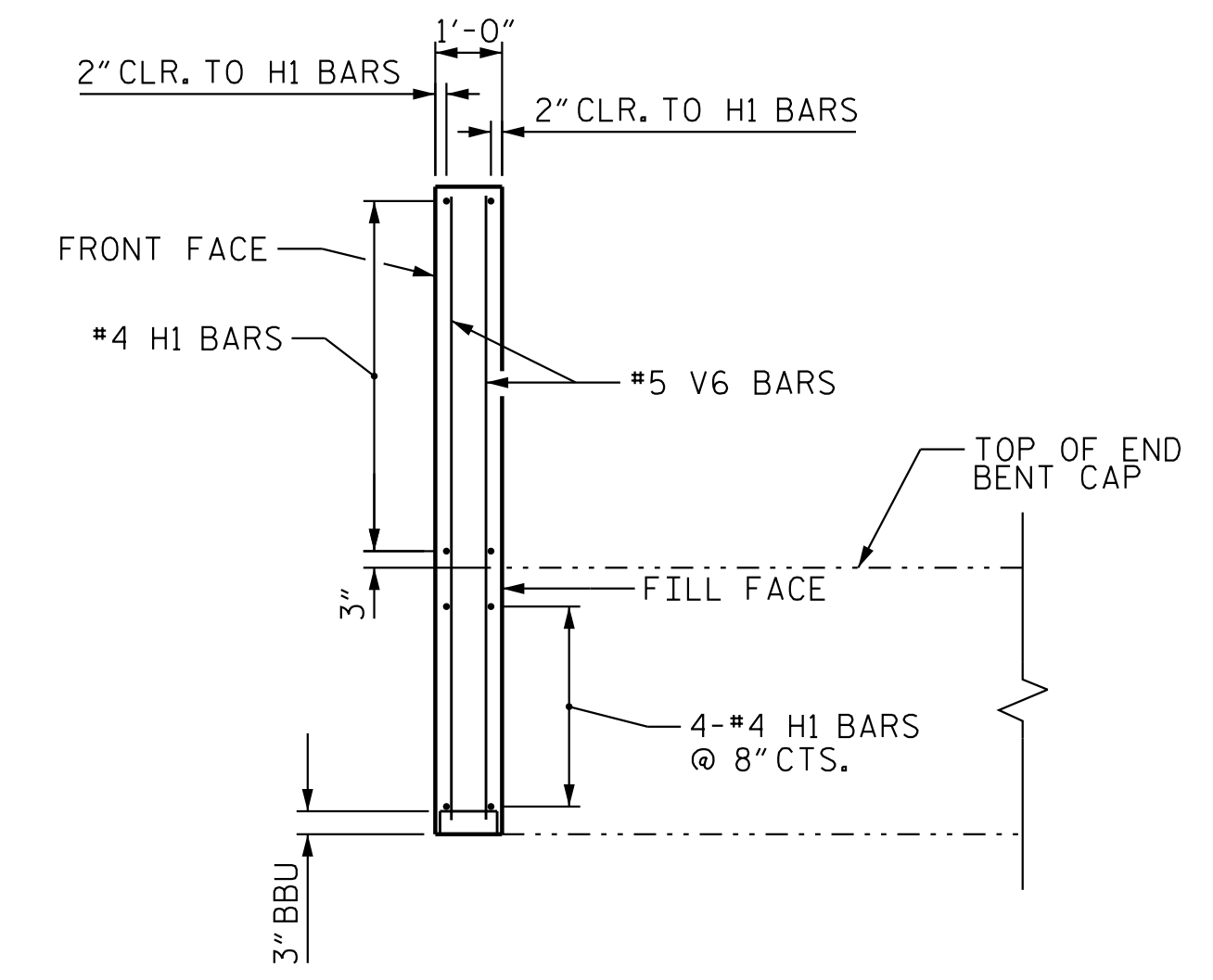


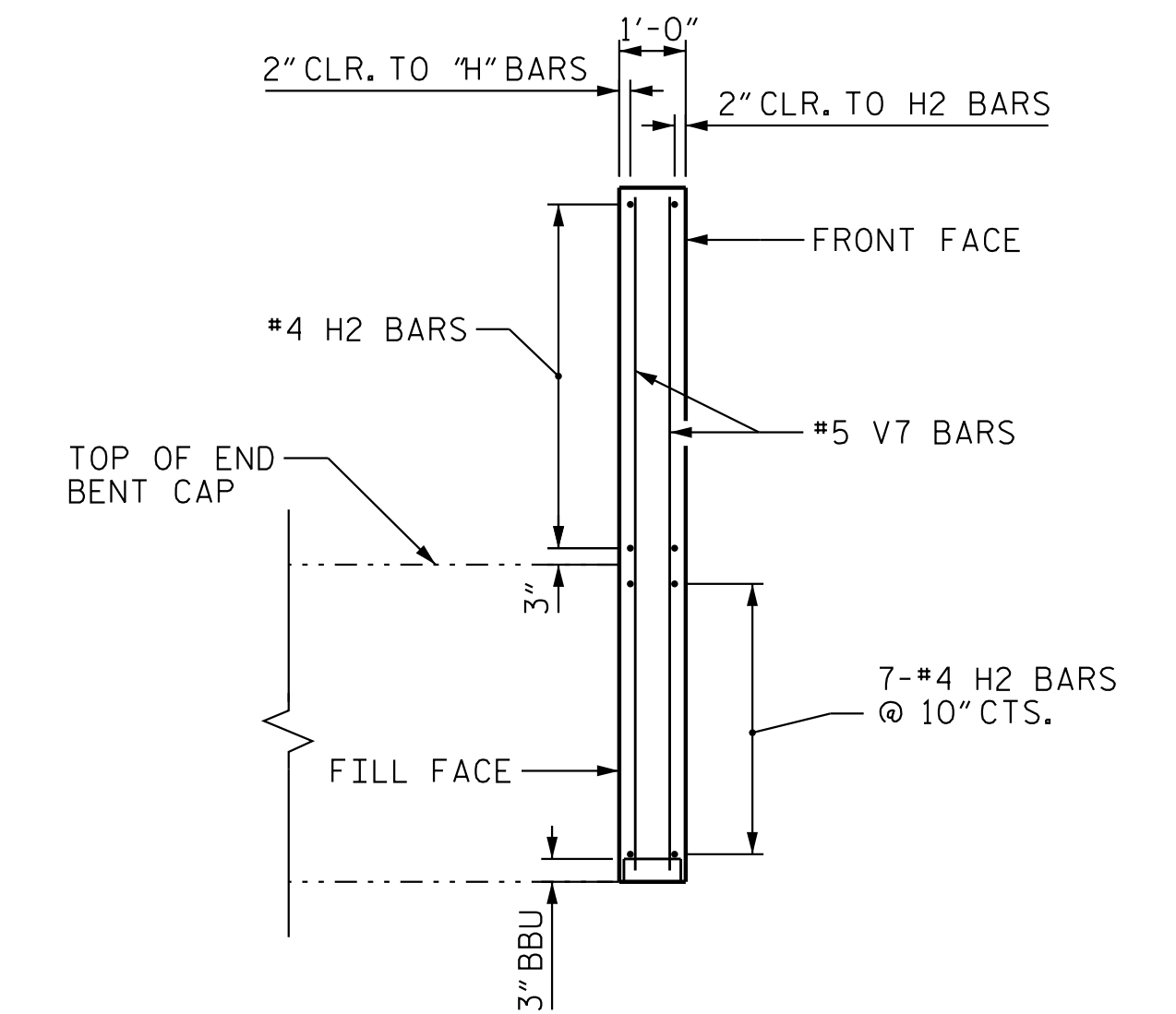
PLAN OF LEFT WING (W1)



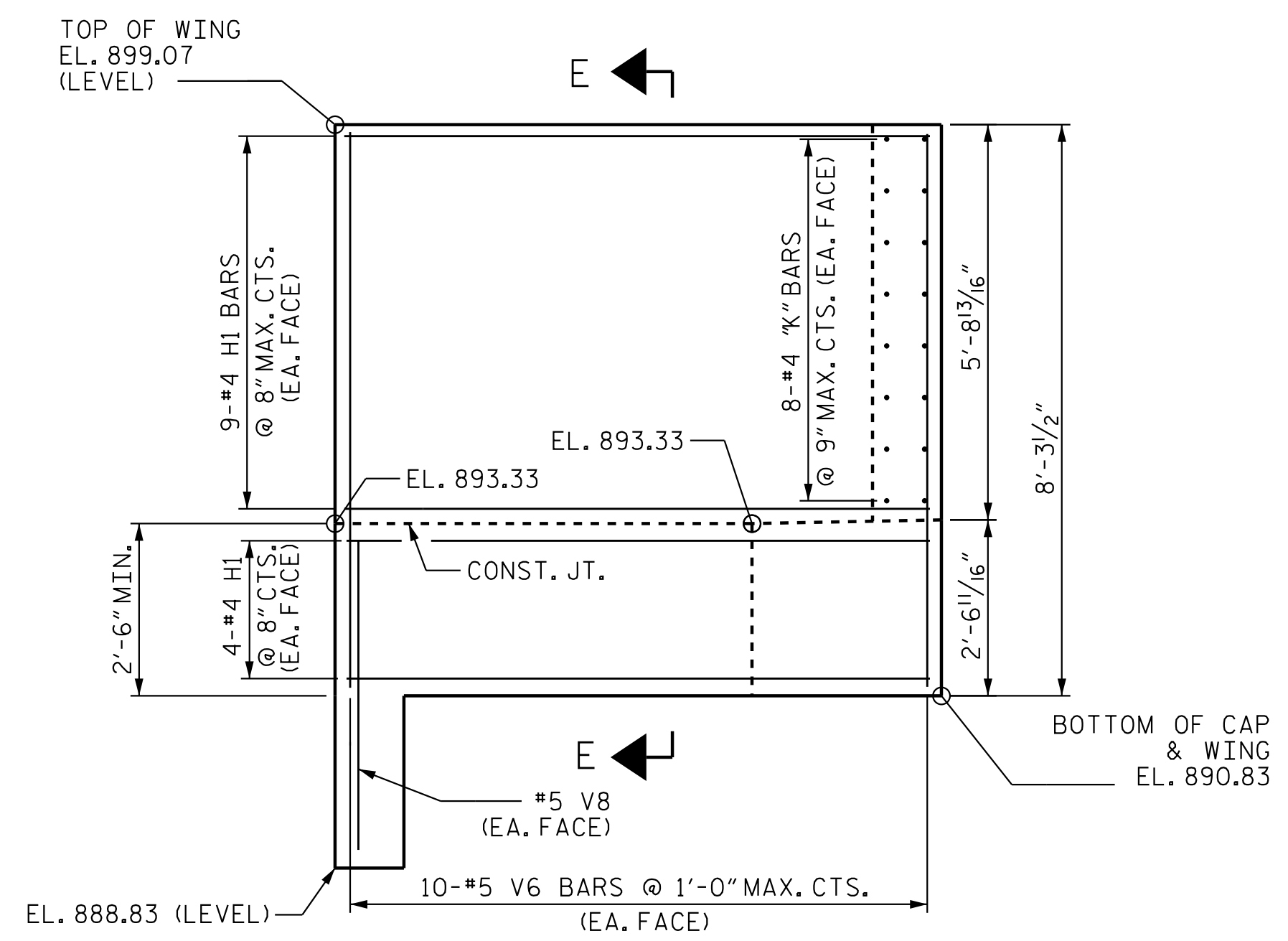
PLAN OF RIGHT WING (W2)



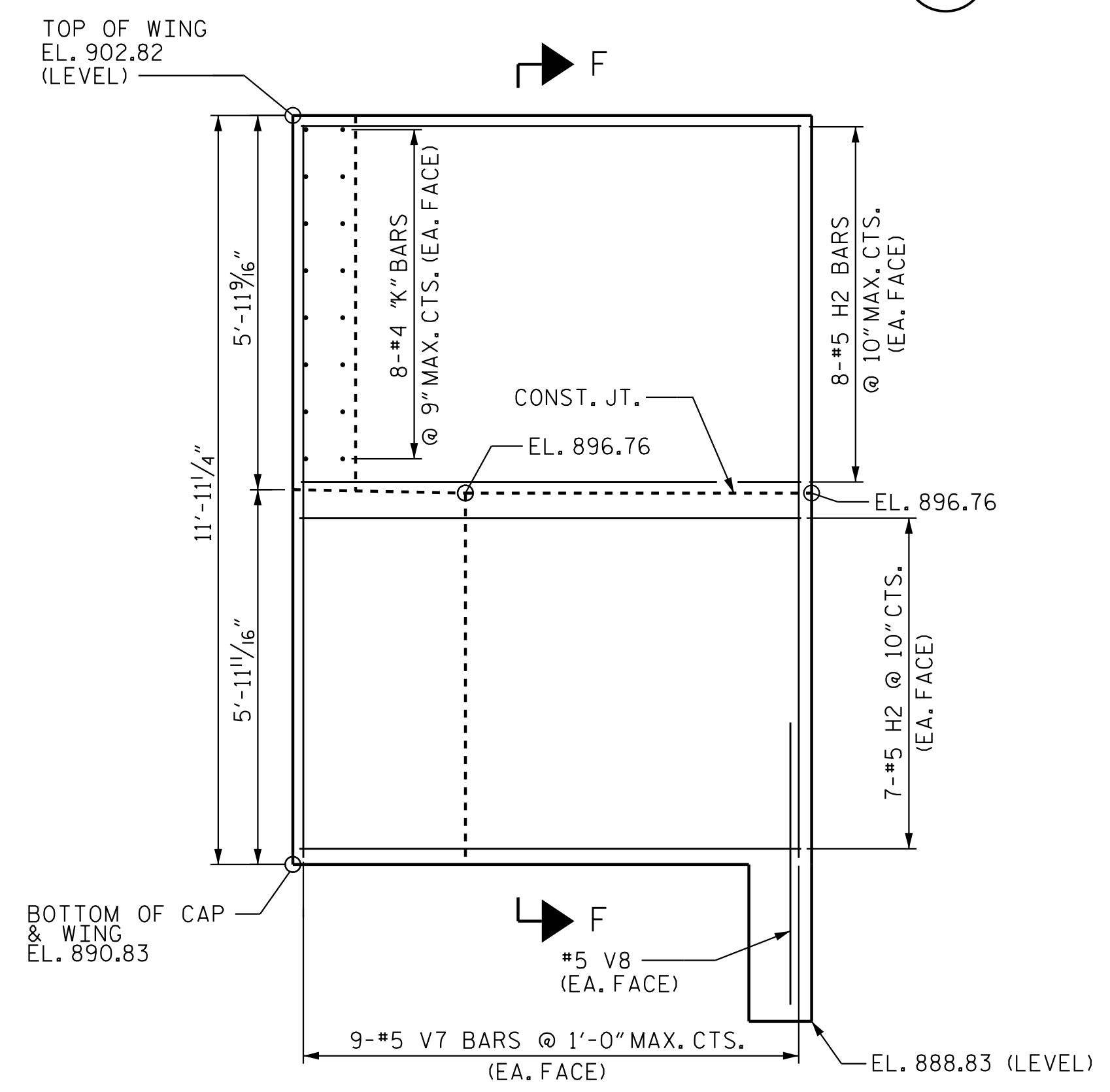
SECTION E-E



SECTION F-F



ELEVATION OF LEFT WING (W1)



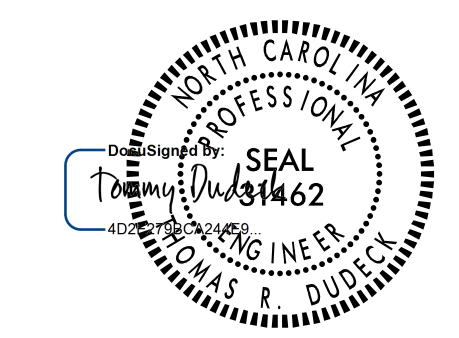
ELEVATION OF RIGHT WING (W2)

PROJECT NO. U-2525C  
 GUILFORD COUNTY  
 STATION: 329+95.42 -L-

SHEET 2 OF 3

STATE OF NORTH CAROLINA DEPARTMENT OF TRANSPORTATION RALEIGH					
END BENT 1 WING DETAILS (LL)					
REVISIONS					
NO.	BY:	DATE:	NO.	BY:	DATE:
1			3		
2			4		
SHEET NO. S2-22					TOTAL SHEETS 29

NOTES: TOP SURFACE OF END BENT CAP BETWEEN EDGE OF DECK SLAB AND END OF CAP SHALL BE SLOPED TRANSVERSELY FROM FRONT FACE TO FILL FACE AT A RATE OF 1/4"/FT.  
 FOOTING NOT SHOWN FOR CLARITY.



1/12/2018

DOCUMENT NOT CONSIDERED FINAL UNLESS ALL SIGNATURES COMPLETED

STR. #2

1/9/2018 10:46:00 AM jgelle  
 U:\Structures\Drawings\Site \NEBL\LU-2525C-SD.E\*-1.2.dgn

Stantec Consulting Services Inc.  
 801 Jones Franklin Road  
 Suite 300  
 Raleigh, NC 27606  
 Tel. (919) 851-6866  
 Fax. (919) 851-7024  
 www.stantec.com  
 License No. F-0672

DRAWN BY: N. D'AIUTO DATE: 10/13/16  
 CHECKED BY: M. B. ISENHOUR DATE: 01/09/17  
 DESIGN ENGINEER OF RECORD: T. R. DUDECK DATE: 01/12/18