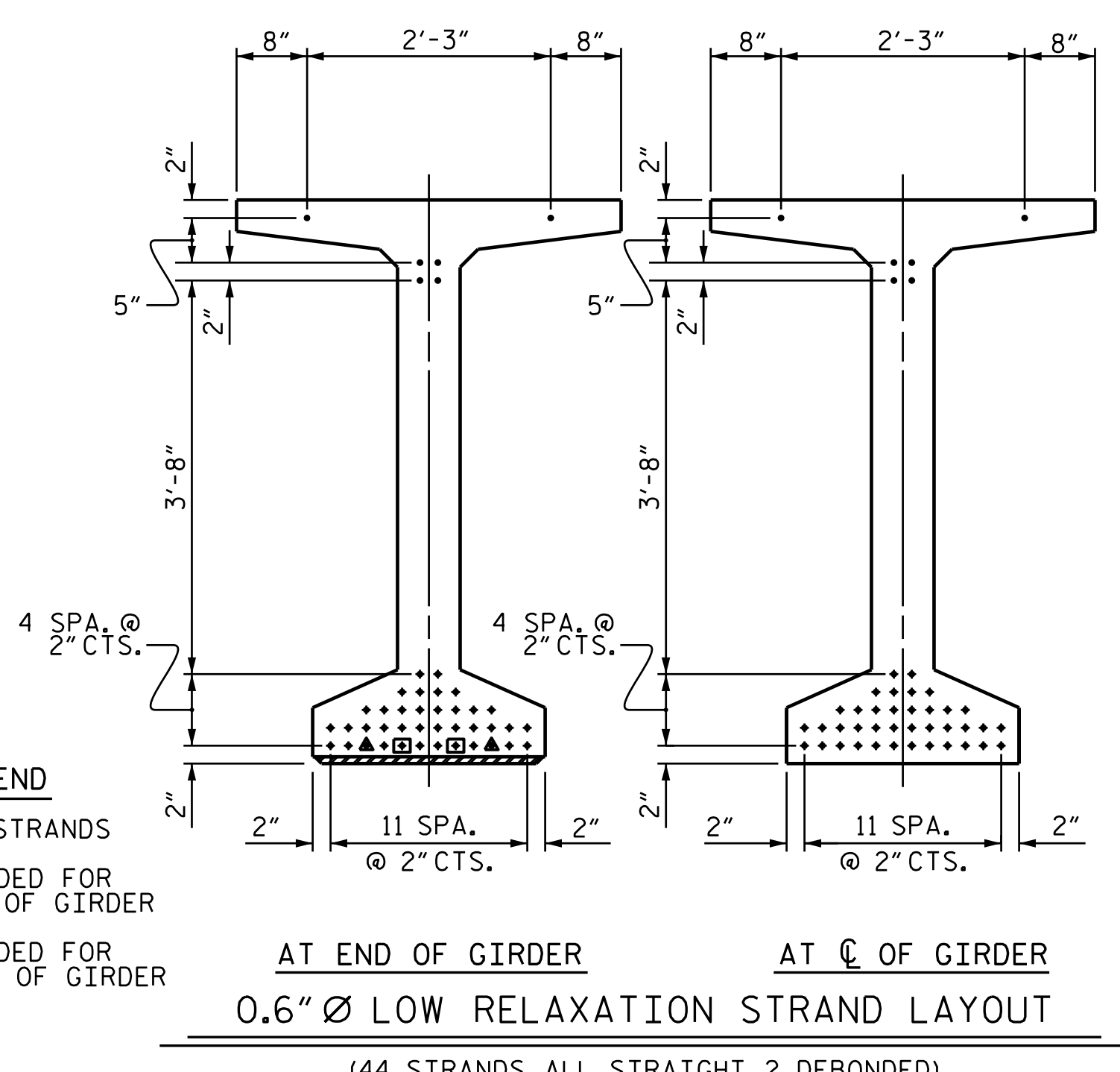


1/2" Ø FORMED HOLE. SEE ELEVATION FOR LOCATION. FOR DIM. "A", "B" & "C" SEE "INTERMEDIATE STEEL DIAPHRAGMS" SHEET.)

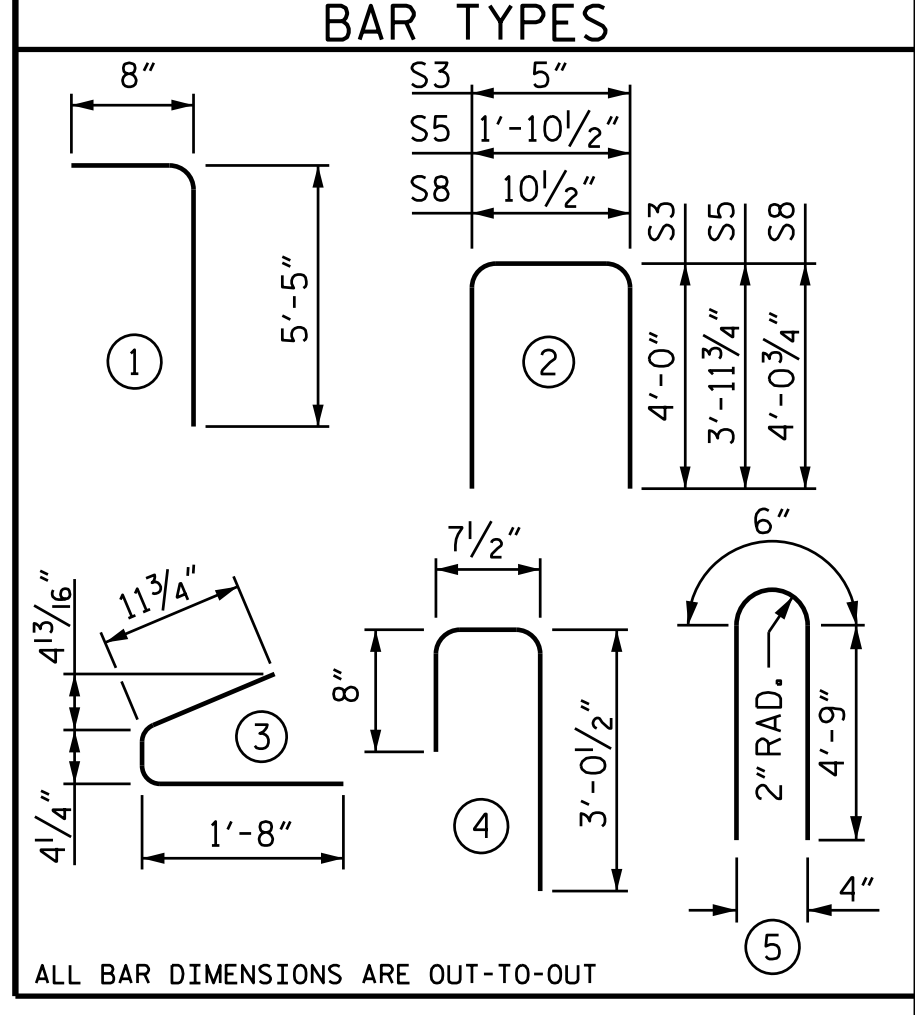
- DEBONDING LEGEND**
- FULLY BONDED STRANDS
 - STRANDS DEBONDED FOR 4'-0" FROM END OF GIRDER
 - STRANDS DEBONDED FOR 12'-0" FROM END OF GIRDER



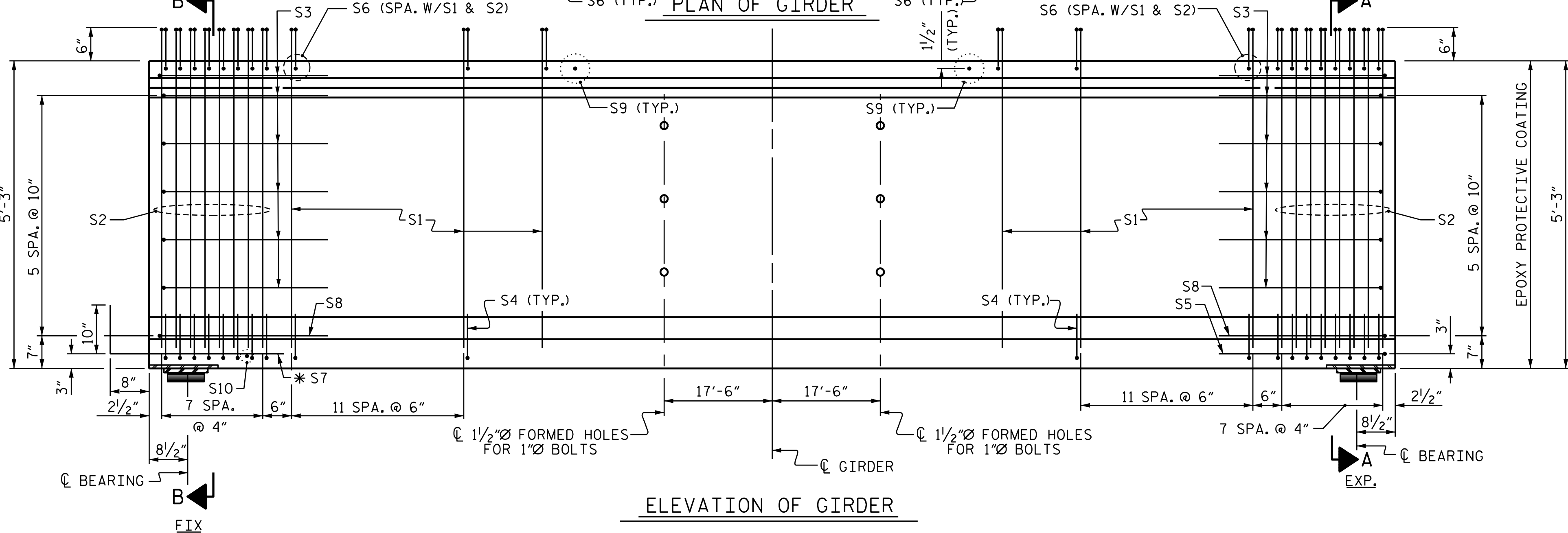
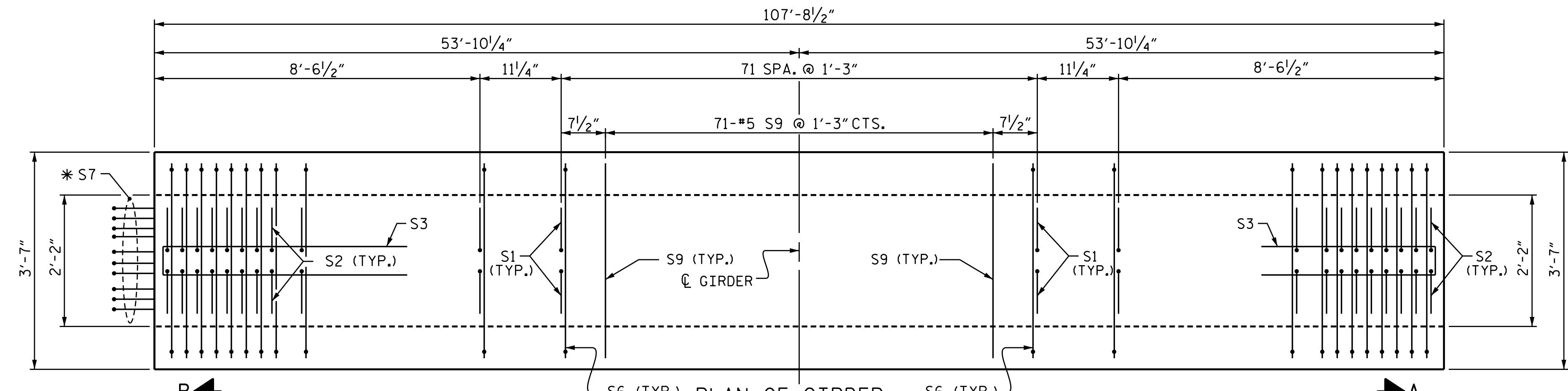
0.6" Ø L. R. GRADE 270 STRANDS		
AREA (SQUARE INCHES)	ULTIMATE STRENGTH (LBS. PER STRAND)	APPLIED PRESTRESS (LBS. PER STRAND)
0.217	58,600	43,950

REINFORCING STEEL FOR ONE GDR					
BAR	NUMBER	SIZE	TYPE	LENGTH	WEIGHT
S1	192	#4	1	6'-1"	780
S2	32	#5	1	6'-1"	203
S3	12	#4	2	8'-5"	67
S4	80	#4	3	3'-0"	144
S5	1	#5	2	9'-10"	10
S6	224	#5	4	4'-4"	1012
*S7	10	#5	STR	3'-8"	38
S8	2	#5	2	9'-0"	19
S9	71	#5	STR	3'-3"	241
S10	1	#3	STR	1'-10"	1
S11	8	#5	5	10'-0"	83
S12	16	#4	STR	8'-0"	86

*NOTE: S7 BARS SHALL BE BENT BEFORE SHIPMENT. HEAT BENDING SHALL NOT BE ALLOWED.



NOTES:
 FOR S11 AND S12 BARS, SEE SHEET 3 OF 4.

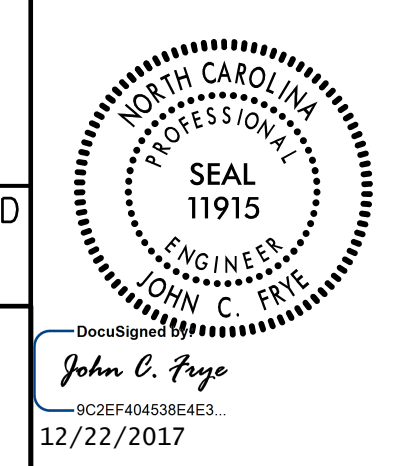


QUANTITIES FOR ONE GIRDER			
	REINFORCING STEEL	9,500 PSI CONCRETE	0.6" Ø L.R. STRANDS
	LB.	C.Y.	No.
	2,700	21.4	44

GIRDERS REQUIRED		
NUMBER	LENGTH	TOTAL LENGTH
5	107'-8 1/2"	538.54'

PROJECT NO. U-2525C
 GUILFORD COUNTY
 STATION: 17+37.28 -Y16-
 SHEET 2 OF 4

STATE OF NORTH CAROLINA
 DEPARTMENT OF TRANSPORTATION
 RALEIGH
 63" PRESTRESSED CONCRETE
 MODIFIED BULB TEE
 CONTINUOUS FOR LIVE LOAD
 SPAN B



DOCUMENT NOT CONSIDERED FINAL UNLESS ALL SIGNATURES COMPLETED
 PLANS PREPARED BY: MOTT MACDONALD
 PO Box 700, Fuquay-Varina, NC 27526
 (919) 552-2253, www.mottmac.com, LICENSE NO. F-0669

REVISIONS						SHEET NO. S1-12 TOTAL SHEETS 29
NO.	BY:	DATE:	NO.	BY:	DATE:	
1			3			
2			4			

11/15/2017 11:17:17 AM C:\Users\jwilliams\OneDrive\Projects\U-2525C-SMUL\02-401240.dgn
 12/21/2017 3:32:20 PM

DRAWN BY: J. T. WILLIAMS DATE: 2-2017
 CHECKED BY: J. E. MONDOLFI DATE: 8-2017
 DESIGN ENGINEER OF RECORD: J. E. MONDOLFI DATE: 11-2017