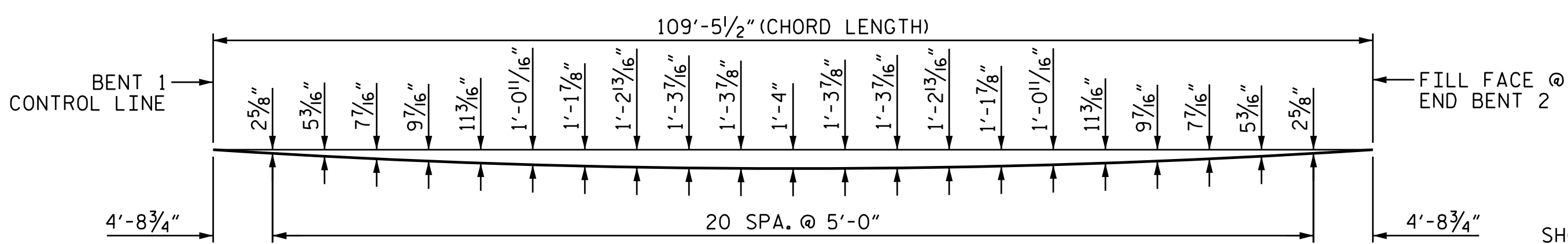
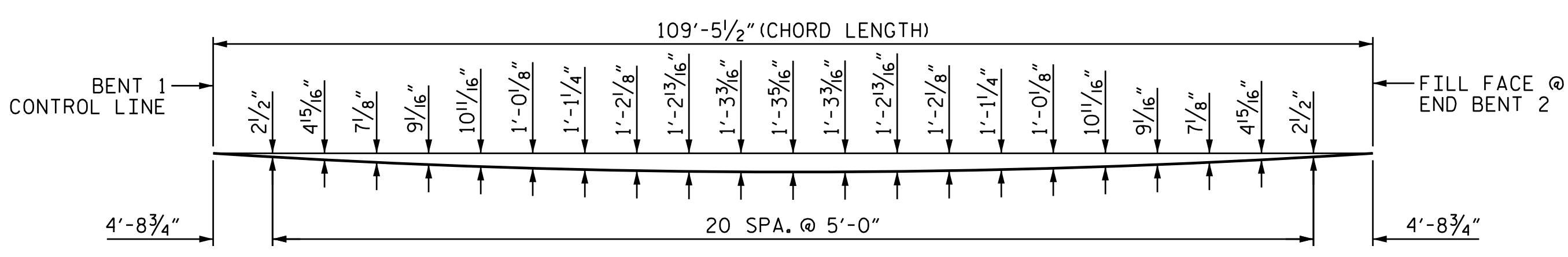


PLAN OF SPAN B
* RADIAL DIMENSIONS

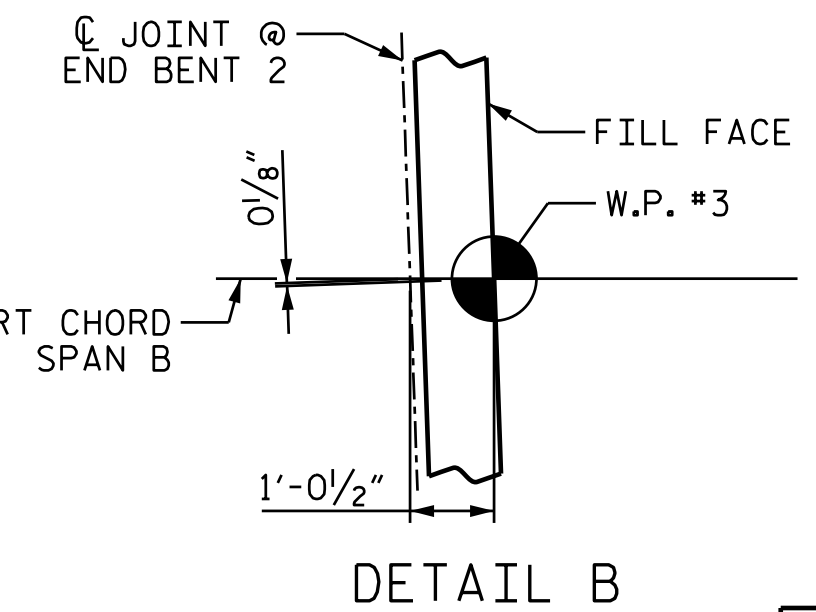
† RIGHT OVERHANG:
SPA. @ 8" CTS. @ BEARING
SPA. @ 4" CTS. @ BEARING
LEFT OVERHANG:
SPA. @ 4" CTS. @ BEARING
SPA. @ 8" CTS. @ BEARING



ARC OFFSETS - LEFT OUTSIDE EDGE



ARC OFFSETS - RIGHT OUTSIDE EDGE



DETAIL B

PROJECT NO. U-2525C
GUILFORD COUNTY
STATION: 17+37.28 -Y16-

SHEET 2 OF 2

STATE OF NORTH CAROLINA
DEPARTMENT OF TRANSPORTATION
RALEIGH
SUPERSTRUCTURE
PLAN OF SPAN B



DOCUMENT NOT CONSIDERED FINAL UNLESS ALL SIGNATURES COMPLETED
PLANS PREPARED BY:
M MOTT MACDONALD
PO Box 700
Fuquay-Varina, NC 27526
(919) 552-2233
www.mottmac.com
LICENSE NO. F-0669

REVISIONS						SHEET NO. S1-9
NO.	BY:	DATE:	NO.	BY:	DATE:	
1			3			
2			4			

11/27/07
 12/21/17
 C:\Users\jwilliams\OneDrive\Projects\U-2525C-SMULS-401240.dgn
 3/3/2013 PM

DRAWN BY: J. T. WILLIAMS DATE: 4-2017
 CHECKED BY: J. E. MONDOLFI DATE: 8-2017
 DESIGN ENGINEER OF RECORD: J. E. MONDOLFI DATE: 11-2017