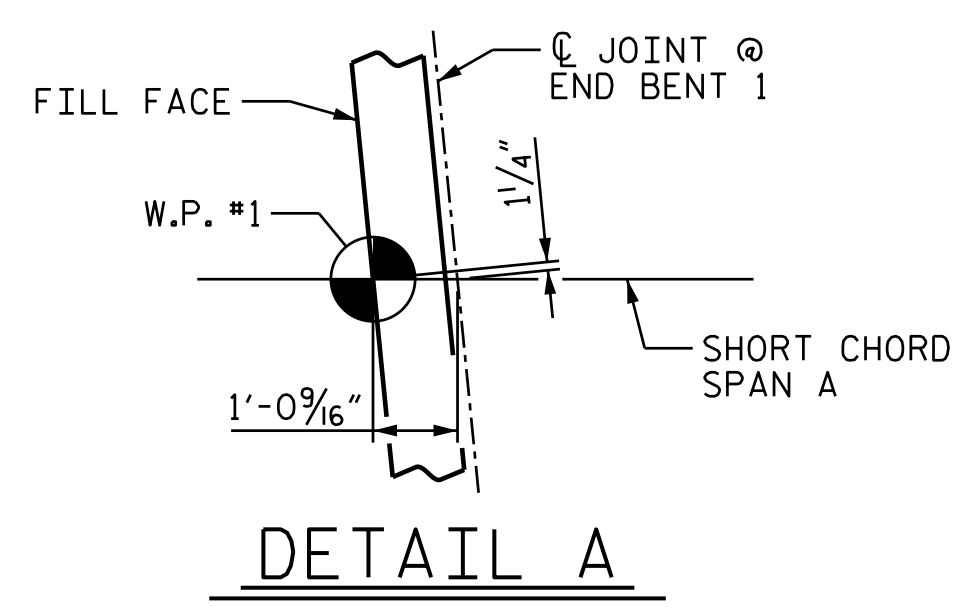
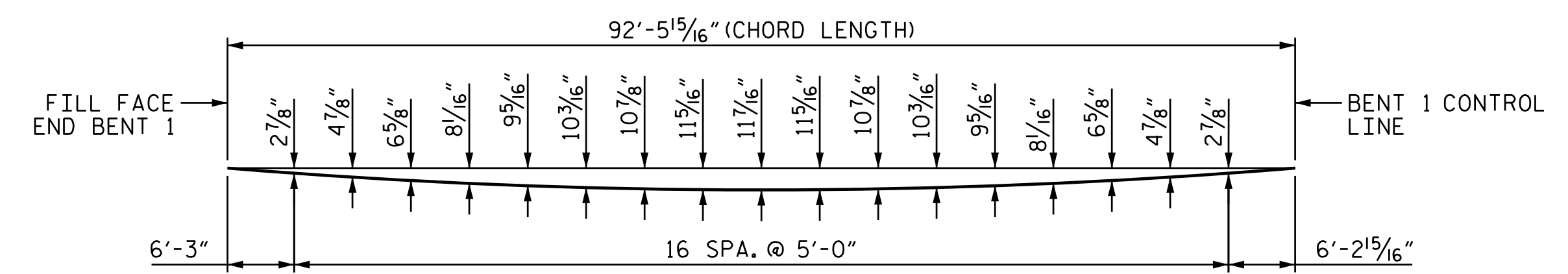


PLAN OF SPAN A
* RADIAL DIMENSIONS

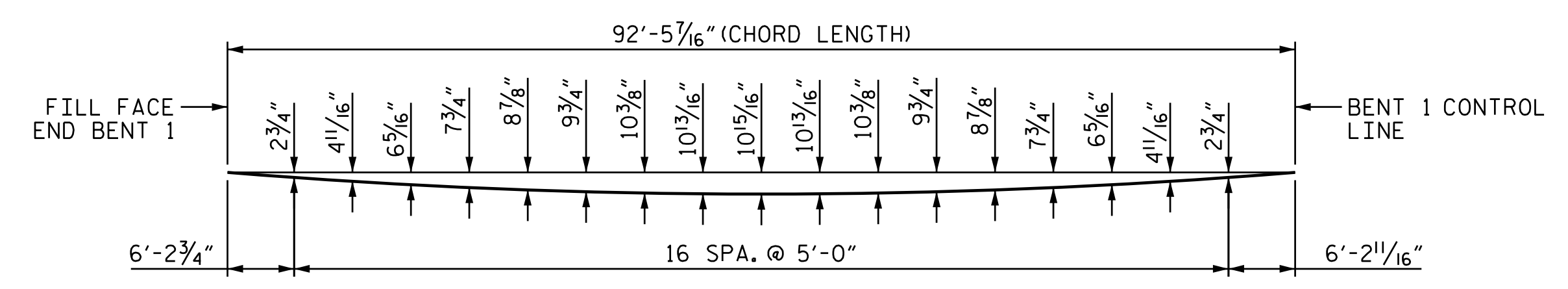
† RIGHT OVERHANG:
SPA, @ 8" CTS. @ C BETWEEN BEARINGS
SPA, @ 4" CTS. @ C BEARING
LEFT OVERHANG:
SPA, @ 4" CTS. @ C BETWEEN BEARINGS
SPA, @ 8" CTS. @ C BEARING



DETAIL A



ARC OFFSETS - LEFT OUTSIDE EDGE

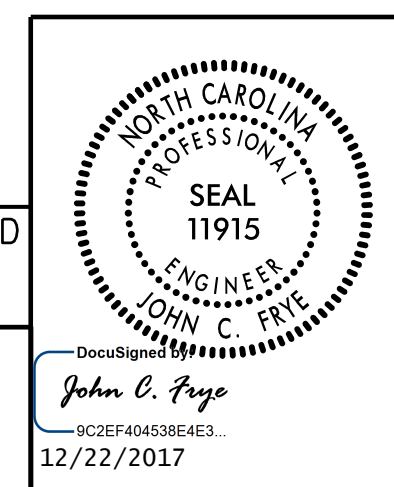


ARC OFFSETS - RIGHT OUTSIDE EDGE

PROJECT NO. U-2525C
GUILFORD COUNTY
STATION: 17+37.28 -Y16-

SHEET 1 OF 2

REVISIONS					
NO.	BY:	DATE:	NO.	BY:	DATE:
1			3		
2			4		



DOCUMENT NOT CONSIDERED FINAL UNLESS ALL SIGNATURES COMPLETED
PLANS PREPARED BY:
MOTT MACDONALD
PO Box 700 Fuquay-Varina, NC 27526
(919) 552-2253
www.mottmac.com
LICENSE NO. F-0669

157077
 12/21/2017
 12/21/2017
 33211 PH
 401240.dgn
 U-2525C-SMJ.S...
 U-2525C-SMJ.S...
 U-2525C-SMJ.S...

DRAWN BY: W. B. NEILL DATE: 2-2017
 CHECKED BY: J. E. MONDOLFI DATE: 8-2017
 DESIGN ENGINEER OF RECORD: J. E. MONDOLFI DATE: 11-2017