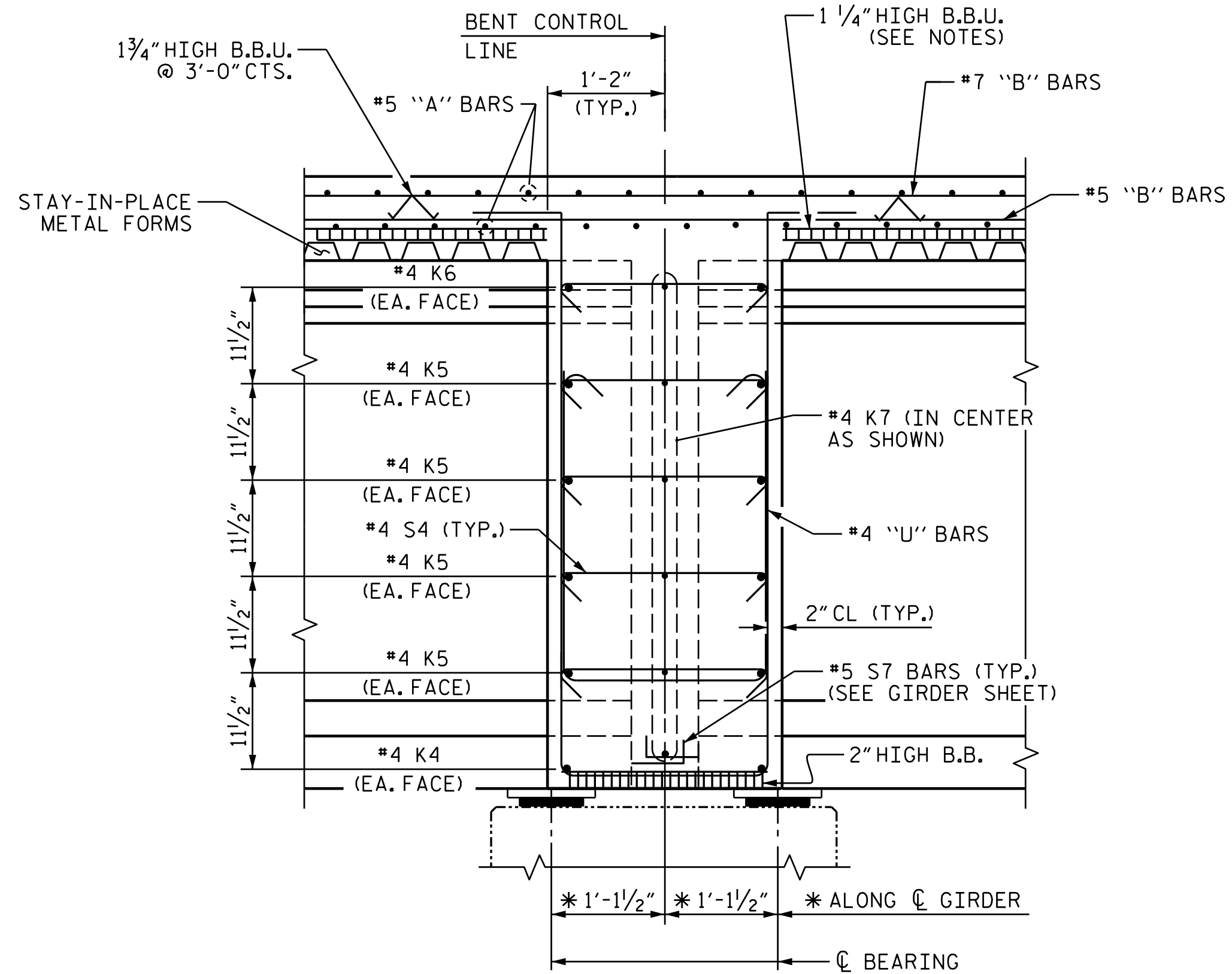
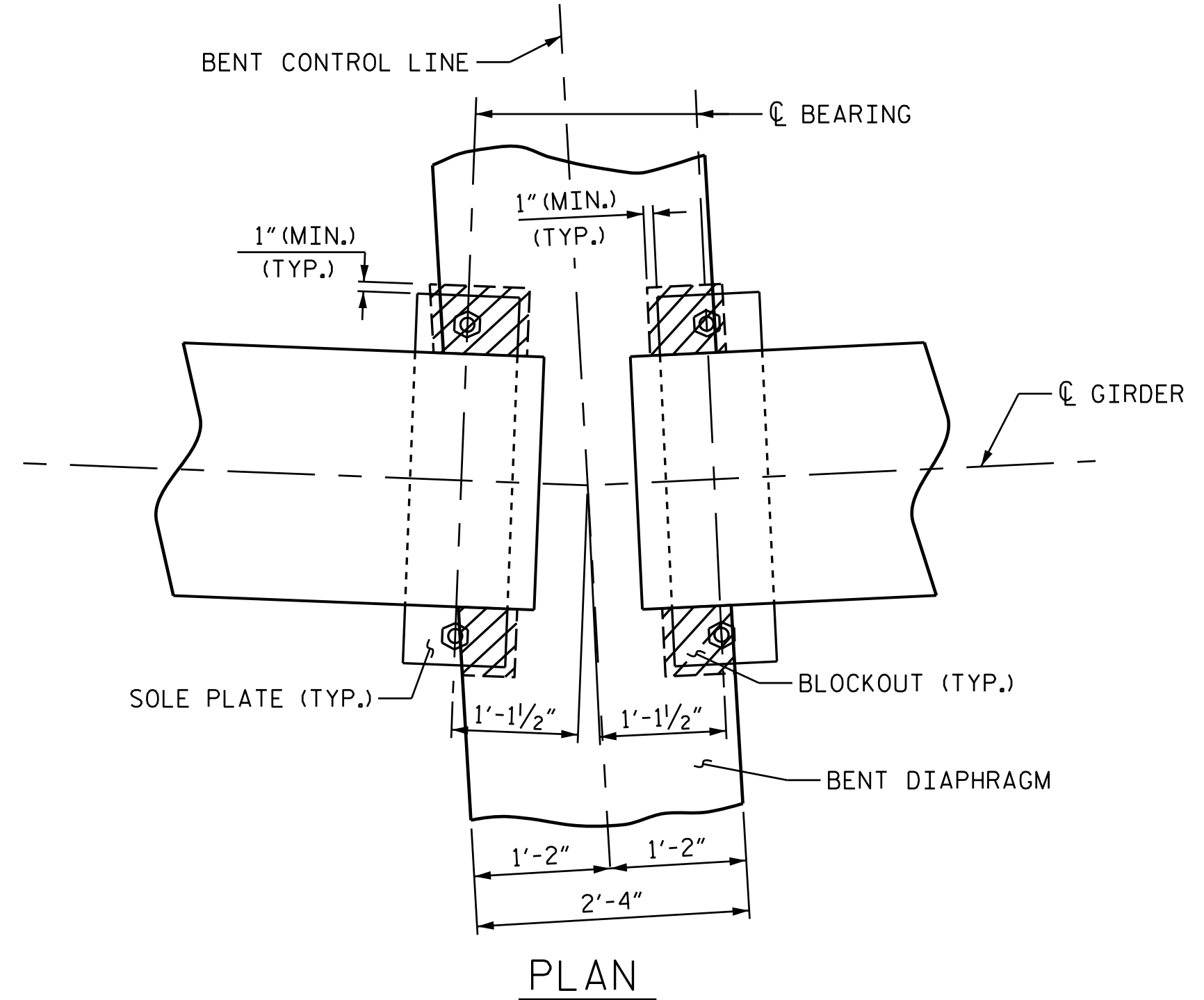


SECTION THRU END BENT DIAPHRAGM

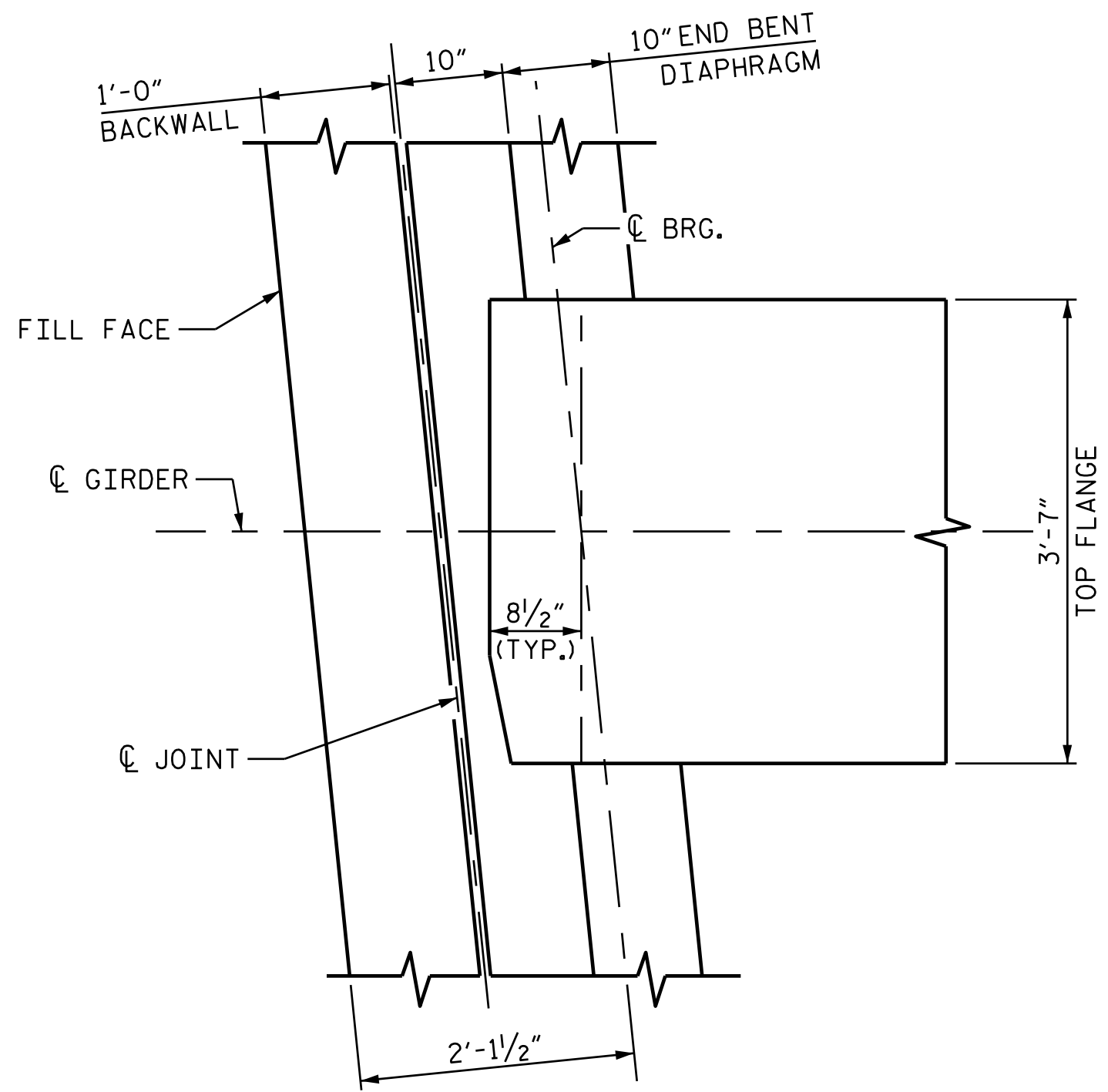
** #5G BAR MAY BE SHIFTED SLIGHTLY, AS NECESSARY, TO CLEAR REINFORCING STEEL AND STIRRUPS.



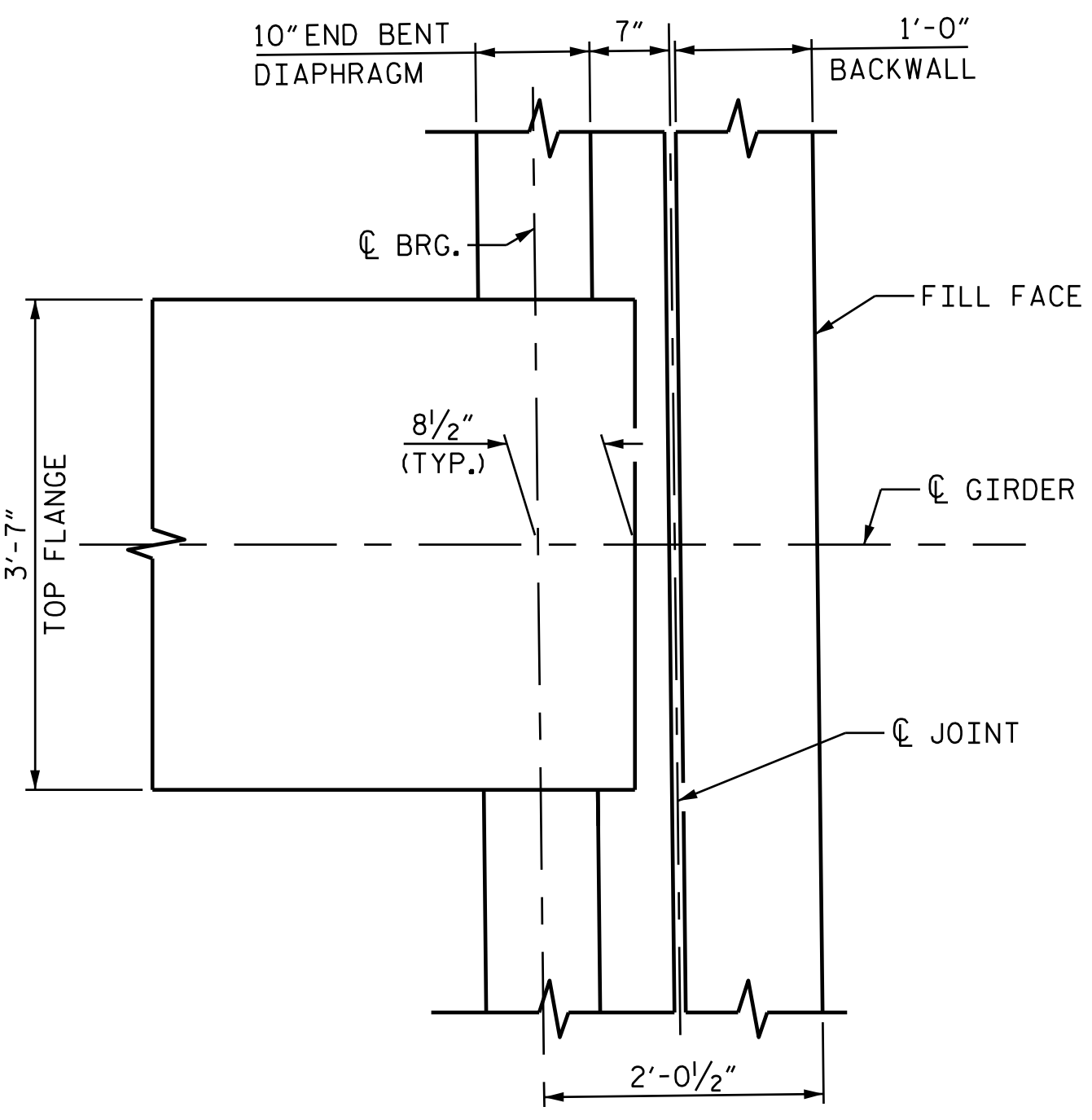
SECTION THRU BENT DIAPHRAGM



BENT DIAPHRAGM BLOCKOUT DETAIL



PLAN VIEW OF DIAPHRAGM @ END BENT 1

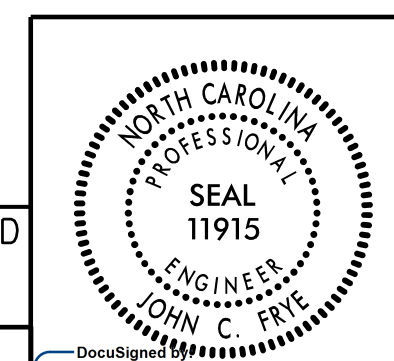


PLAN VIEW OF DIAPHRAGM @ END BENT 2

PROJECT NO. U-2525C
 GUILFORD COUNTY
 STATION: 17+37.28 -Y16-

SHEET 2 OF 2

STATE OF NORTH CAROLINA
 DEPARTMENT OF TRANSPORTATION
 RALEIGH
 SUPERSTRUCTURE
 TYPICAL SECTION
 DETAILS



DOCUMENT NOT CONSIDERED FINAL UNLESS ALL SIGNATURES COMPLETED
 PLANS PREPARED BY:
 MOTT MACDONALD
 PO Box 700
 Fuquay-Varina, NC 27526
 (919) 552-2253
 www.mottmac.com
 LICENSE NO. F-0669

REVISIONS						SHEET NO.
NO.	BY:	DATE:	NO.	BY:	DATE:	S1-7
1			3			TOTAL SHEETS
2			4			29

157077
 12/21/2017
 12/21/2017
 3:32:06 PM
 C:\Users\j16_Summit_Ave\Plans\U-2525C_SML_TS_401240.dgn

DRAWN BY: W. B. NEILL DATE: 10-2016
 CHECKED BY: J. E. MONDOLFI DATE: 8-2017
 DESIGN ENGINEER OF RECORD: J. E. MONDOLFI DATE: 11-2017