

MFG _____	MFG. DATE: MM/YY _____
SHAFT D/T/L/Y _____	_____
ARM-A D/T/L/Y _____	_____
ARM-B D/T/L/Y _____	_____
A.B. DIA./B.C./L/Y _____	_____
NCDOT SIG. INV. NO. _____	_____
NCDOT POLE NO. _____	_____

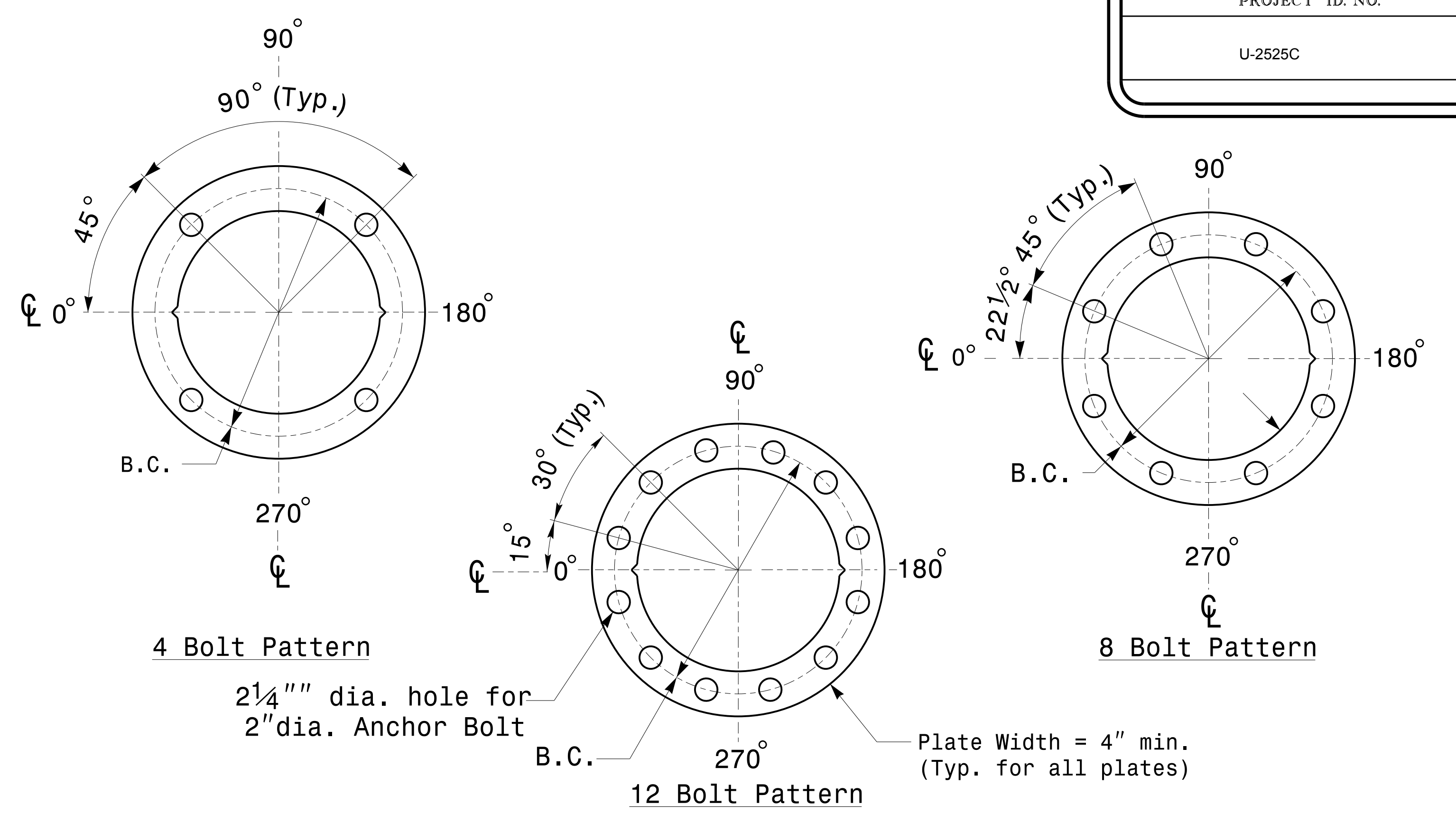
MFG _____	MFG. DATE:MM/YY _____
SECTION D/T/L/Y _____	_____
NCDOT SIG. INV. NO. _____	_____
NCDOT POLE NO. _____	_____

Shaft I.D. Tag
(Provide on Shaft of Strain Poles and Mast Arm Poles Shaft)

Arm I.D. Tag
(Provide on each section of a multi-section mast arm.)

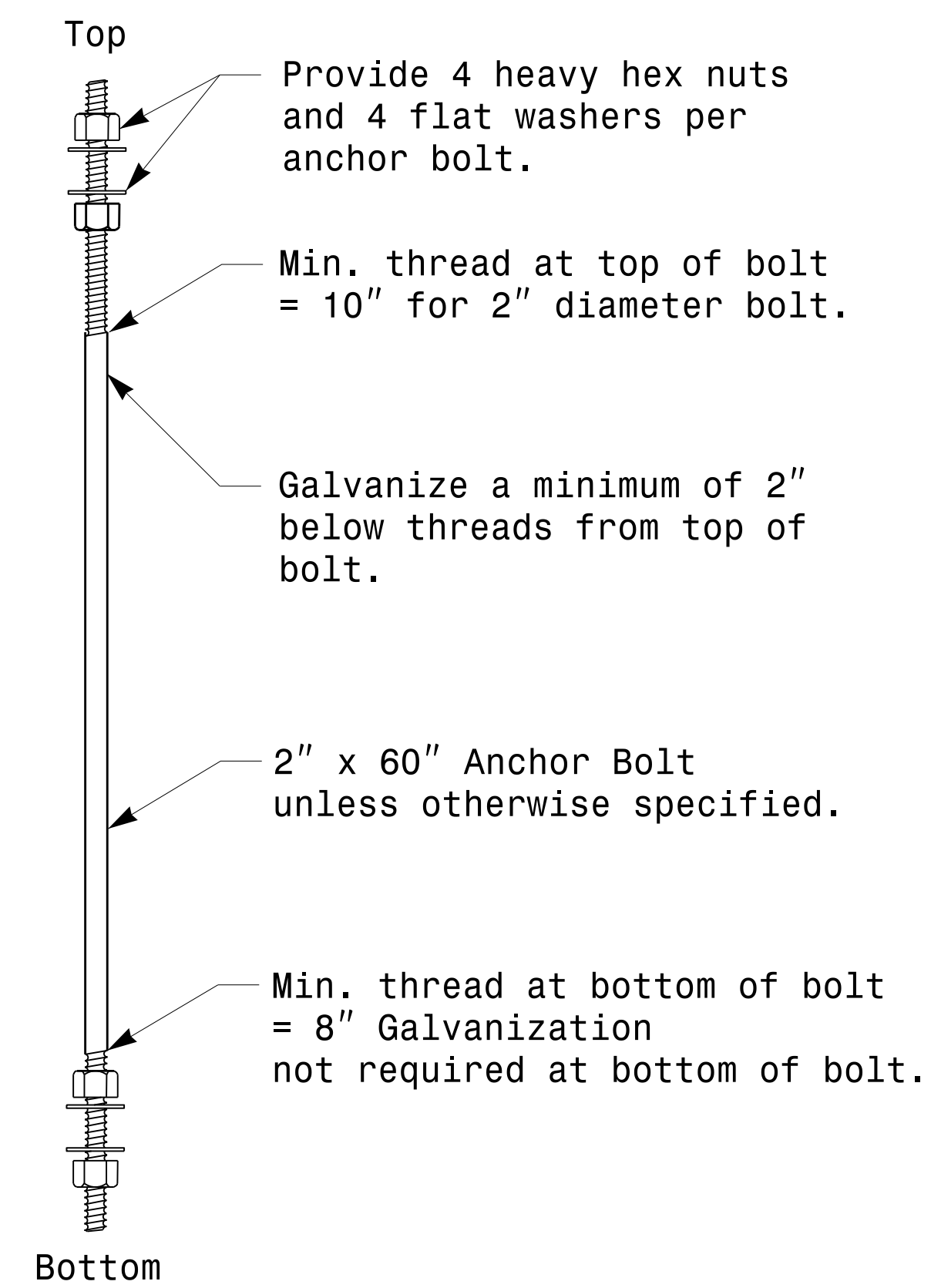
- Notes:
- 1) D= Diameter, T= Thickness, L= Length, Y= Yield Strength
 - 2) A.B. = Anchor Bolt
 - 3) B.C. = Bolt Circle of Anchor Bolts
 - 4) If Custom Design, use "NCDOT STANDARD" line for Signal Inv. Number and pole I.D. number
 - 5) See drawing M3 and M4 for mounting positions of I.D. tags.

Identification Tag Details

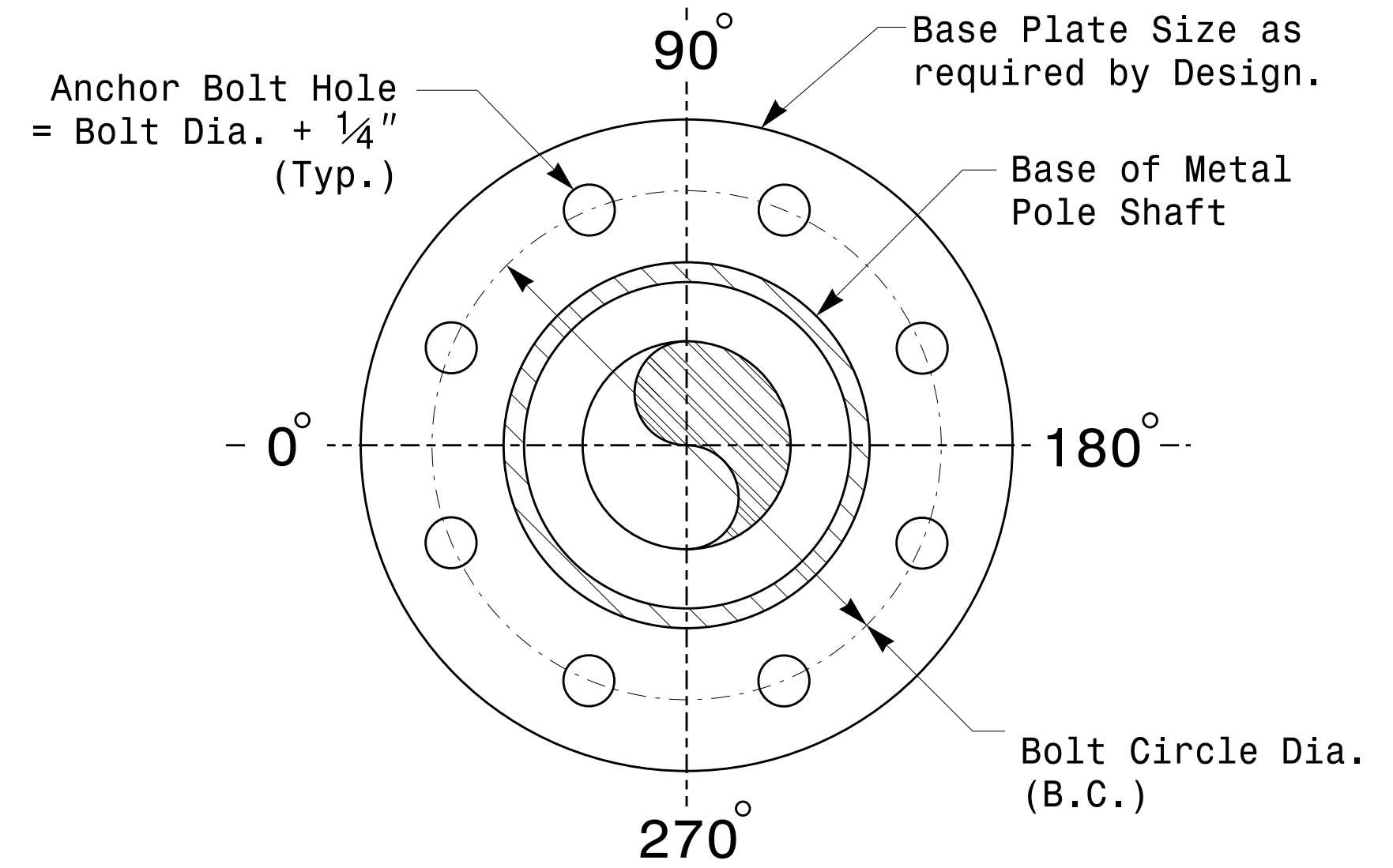


Construct Templates and Plates from 1/4" min. thick Steel. Galvanizing is not required.

Base Plate Template and Anchor Bolt Lock Plate Details



Anchor Bolt Detail



Note: Base plate may be circular, octagonal, square or rectangular in shape.

Typical Base Plate Detail

	Typical Fabrication Details For All Metal Poles		
	PLAN DATE: OCTOBER 2017 DESIGNED BY: C.F. ANDREWS	PREPARED BY: N. BITTING REVIEWED BY: D.C. SARKAR	
750 N. Greenfield Pkwy, Garner, NC 27529		REVISIONS:	DATE:
Signature: <i>D. C. SARKAR</i>		DATE: 10/11/2017	

11-0CT-2017-08:30 136504115 Signal&Sign Design Section Eastern Region 46 Sheets 2016 2014 Sig.M2 Std. Fabrication Detail is All Poles.dgn

Fabrication Details - All Metal Poles