

8/17/99

# PLAN VIEW - BASIN LAYOUTS & DIMENSIONS

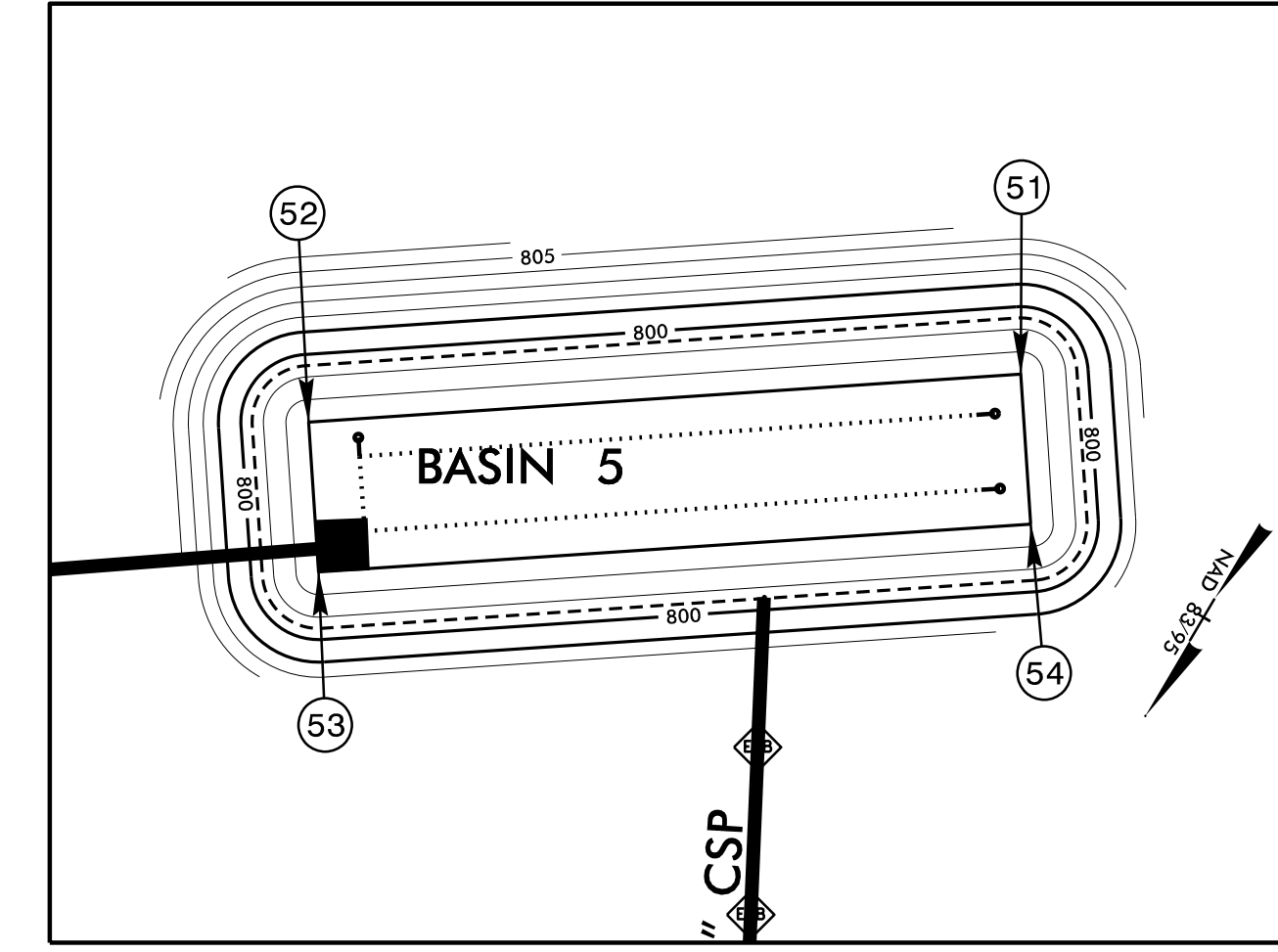
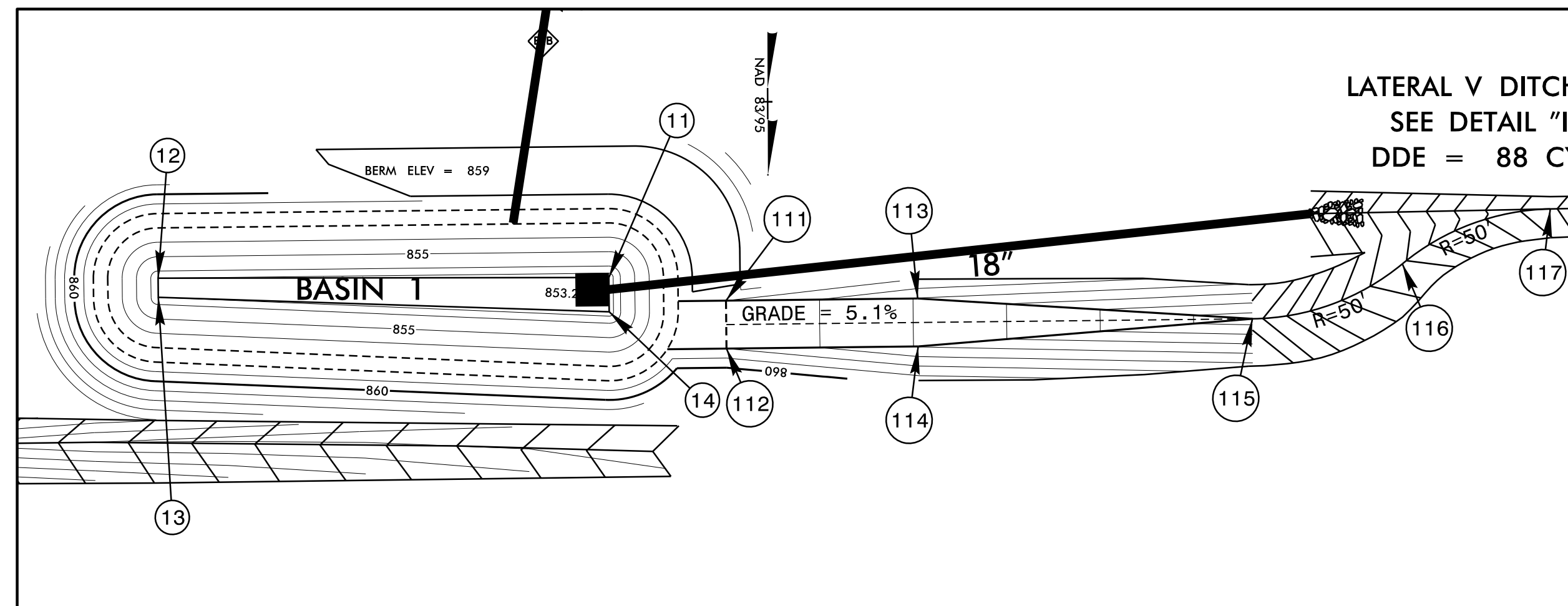
**WETHERILL ENGINEERING**  
 1223 Jones Franklin Road  
 Raleigh, N.C. 27606  
 License No. F-0377  
 Bus: 919 851 8077  
 Fax: 919 851 8107

TRANSPORTATION PLANNING/DESIGN - BRIDGE/STRUCTURE DESIGN  
 CIVIL/SITE DESIGN - GIS/GPS - CONSTRUCTION OBSERVATION

PROJECT REFERENCE NO. <b>U-2525C</b>	SHEET NO. <b>2D-9</b>
RW SHEET NO.	
HYDRAULICS ENGINEER 1/10/2018 NORTH CAROLINA PROFESSIONAL SEAL 23993 Max S. Price	

COORDINATE TABLE  
CORNERS OF BOTTOM OF BASIN 1

	NORTHING	EASTING	ELEVATION
11	874,865.6672	1,777,153.0354	853.20
12	874,865.5111	1,777,247.1396	853.20
13	874,869.5109	1,777,247.1079	853.50
14	874,872.8184	1,777,152.9789	853.50



COORDINATE TABLE  
POINTS ON SPILLWAY FOR BASIN 1

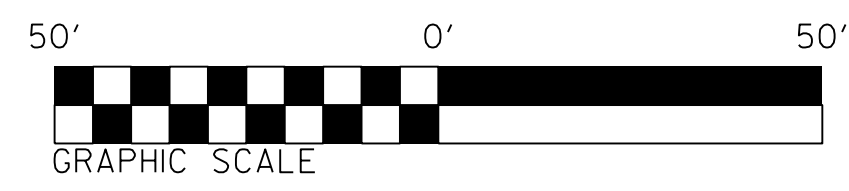
	NORTHING	EASTING	ELEVATION
111	874,870.5627	1,777,128.5959	858.00
112	874,880.5624	1,777,128.5169	858.00
113	874,870.2465	1,777,088.5972	855.95
114	874,880.2462	1,777,088.5181	855.95
115	874,874.6944	1,777,018.7328	852.37
116	874,863.3265	1,776,987.3839	850.63
117	874,851.9642	1,776,956.4891	848.93

COMBINATION DRY DETENTION/HAZARDOUS SPILL BASIN DIMENSIONS

BASIN	PROJECT STATION	CAPACITY REQUIRED (cf)	CAPACITY PROVIDED (cf)	BASIN DEPTH (D)	BERM WIDTH	SIDE SLOPE	RISER ELEVATION	SPILL ELEVATION	BERM ELEVATION
1	-L- 333+58 (RT)	4000	6484	3.8'	10'	3:1	857.00'	858.00'	859.00

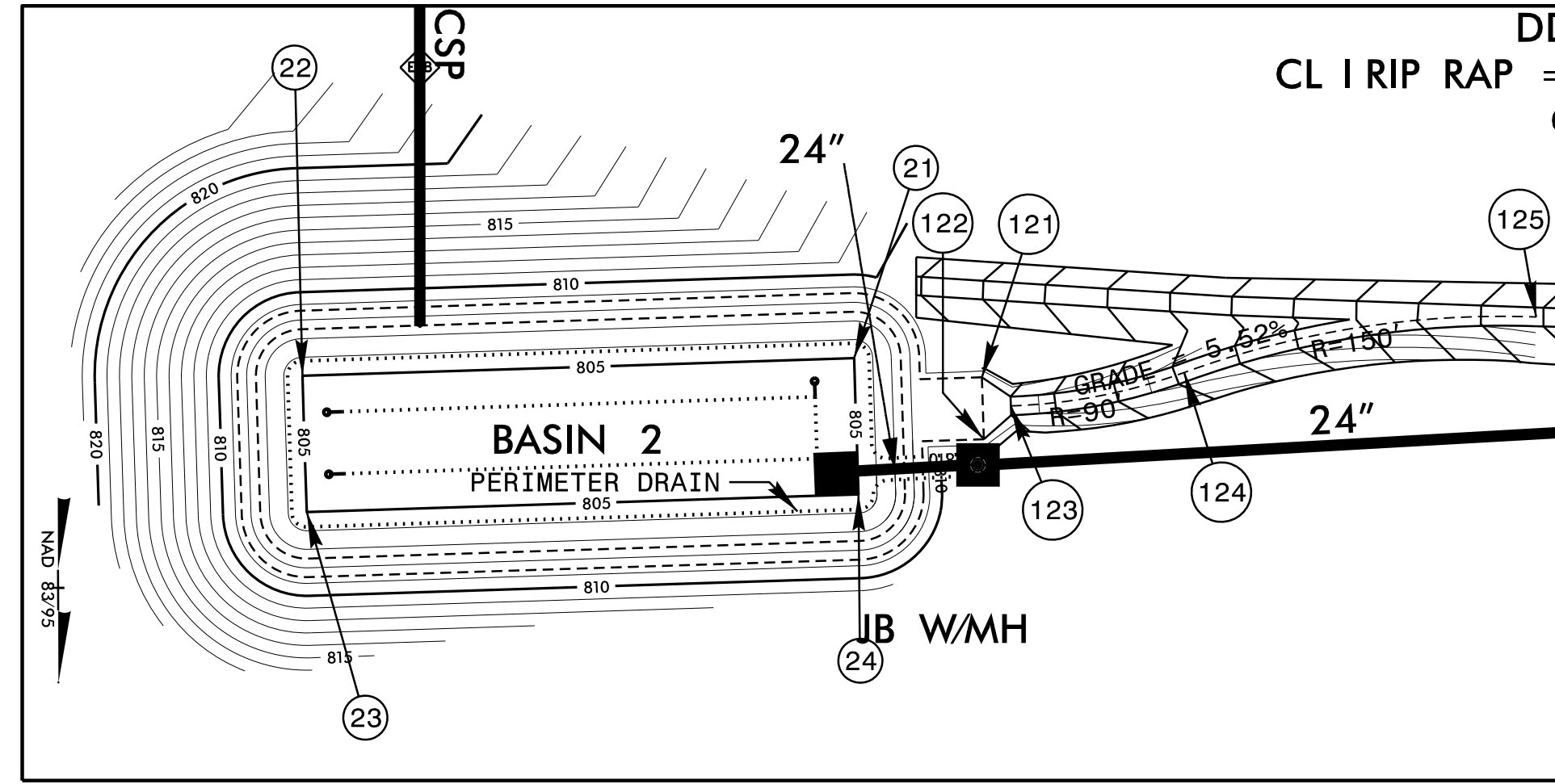
COORDINATE TABLE  
CORNERS OF TOP OF MEDIA FILTER  
BASIN 5

	NORTHING	EASTING	ELEVATION
51	874,178.8976	1,772,772.4862	797.00
52	874,232.6394	1,772,850.8240	797.00
53	874,249.1315	1,772,839.5100	797.00
54	874,195.3897	1,772,761.1721	797.00



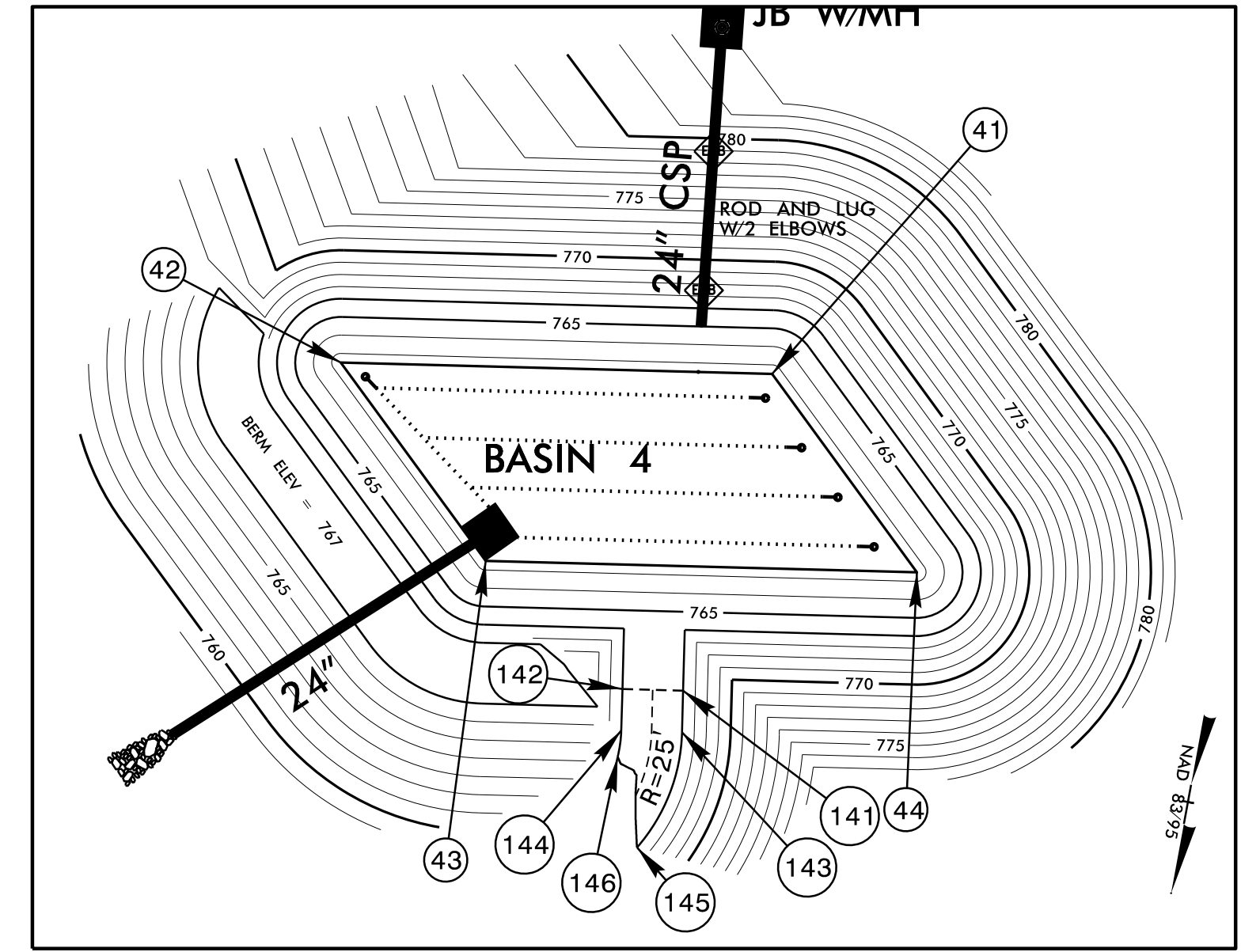
COORDINATE TABLE  
CORNERS OF TOP OF MEDIA FILTER  
BASIN 2

	NORTHING	EASTING	ELEVATION
21	874,904.6240	1,775,666.6151	805.00
22	874,907.1878	1,775,755.5782	805.00
23	874,929.1787	1,775,754.9444	805.00
24	874,926.6149	1,775,665.9814	805.00



COORDINATE TABLE  
POINTS ON SPILLWAY FOR BASIN 2

	NORTHING	EASTING	ELEVATION
121	874,907.7604	1,775,646.0162	808.50
122	874,917.7562	1,775,645.7281	808.50
123	874,912.4001	1,775,641.3751	808.25
124	874,907.0939	1,775,613.4180	806.67
125	874,898.3033	1,775,556.6223	803.48

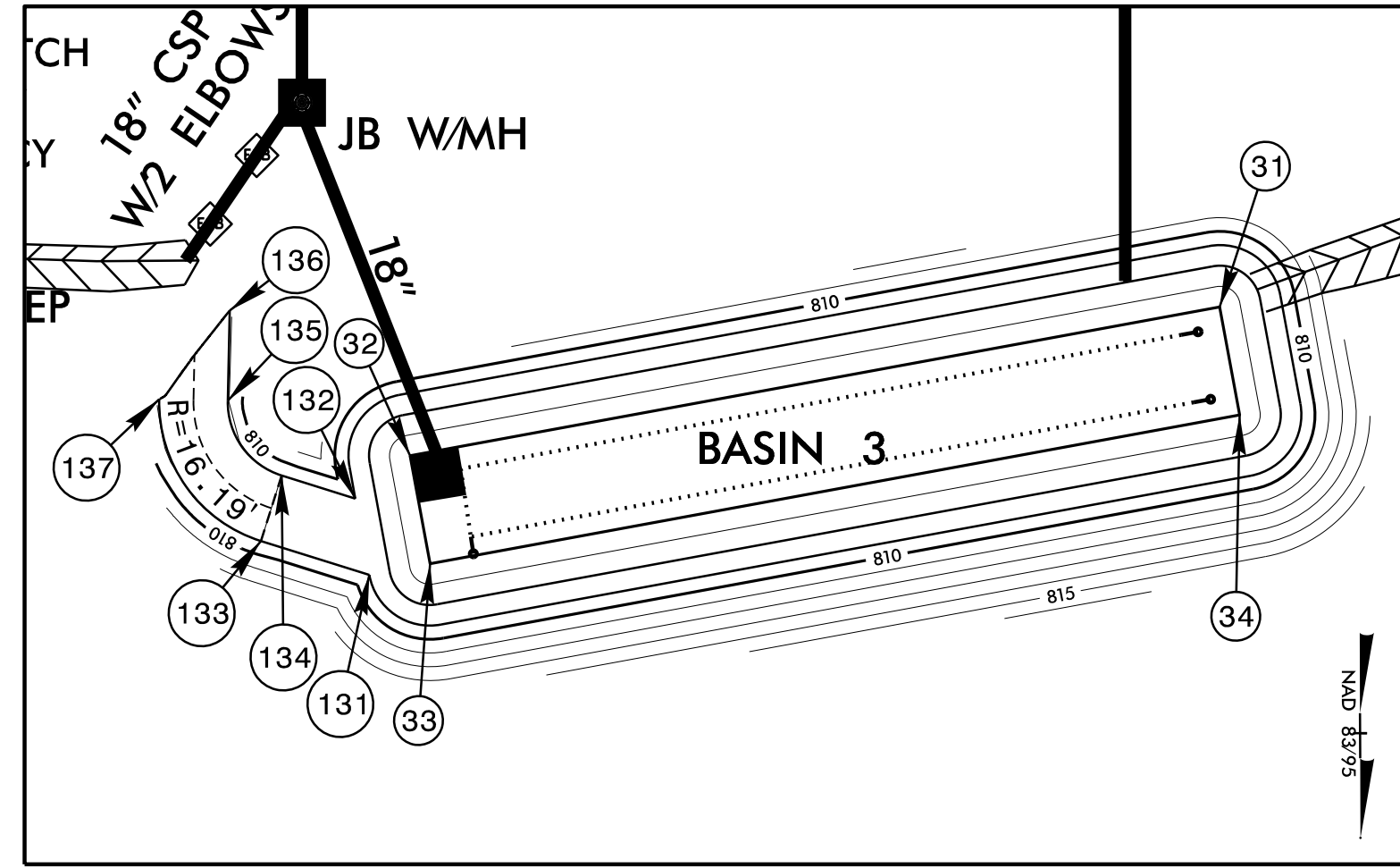


COORDINATE TABLE  
CORNERS OF TOP OF MEDIA FILTER  
BASIN 4

	NORTHING	EASTING	ELEVATION
41	874,914.0770	1,773,726.5653	762.50
42	874,925.0792	1,773,796.7077	762.50
43	874,952.8660	1,773,767.3527	762.50
44	874,941.8638	1,773,697.2104	762.50

COORDINATE TABLE  
CORNERS OF TOP OF MEDIA FILTER  
BASIN 3

	NORTHING	EASTING	ELEVATION
31	874,884.6448	1,774,992.7940	806.00
32	874,905.9738	1,775,110.8832	806.00
33	874,921.7190	1,775,108.0394	806.00
34	874,900.3900	1,774,989.9501	806.00



COORDINATE TABLE  
POINTS ON SPILLWAY FOR BASIN 3

	NORTHING	EASTING	ELEVATION
131	874,923.3187	1,775,116.8960	809.00
132	874,912.1906	1,775,118.9060	809.00
133	874,918.3196	1,775,132.6622	809.00
134	874,908.7873	1,775,129.6397	809.00
135	874,897.8470	1,775,137.4444	808.94
136	874,884.7128	1,775,137.1234	EXISTING
137	874,897.5584	1,775,147.4403	EXISTING

COMBINATION MEDIA FILTER/HAZARDOUS SPILL BASIN DIMENSIONS

BASIN	PROJECT STATION	BASIN VOLUME REQUIRED (cf)	WATER QUALITY VOLUME PROVIDED (cf)	BASIN DEPTH (D)	BERM WIDTH	SIDE SLOPE	TOP ELEVATION MEDIA FILTER	RISER ELEVATION	SPILL ELEVATION	BERM ELEVATION
2	-L- 348+38 (RT)	6300	7198	2.5'	10'	3:1	805.00'	807.50'	808.50'	N/A
3	-L- 353+98 (RT)	5100	5585	2.0'	10'	3:1	806.00'	808.00'	809.00'	N/A
4	-L- 367+10 (RT)	6900	7990	2.5'	10'	3:1	762.50'	765.00'	766.00'	767.00'
5	-L- 377+80 (LT)	5800	7128	2.5'	10'	3:1	797.00'	799.50'	801.00'	N/A

I:\2008\c\_rdu\psh\_02D-09\_HSB-detail.dgn