

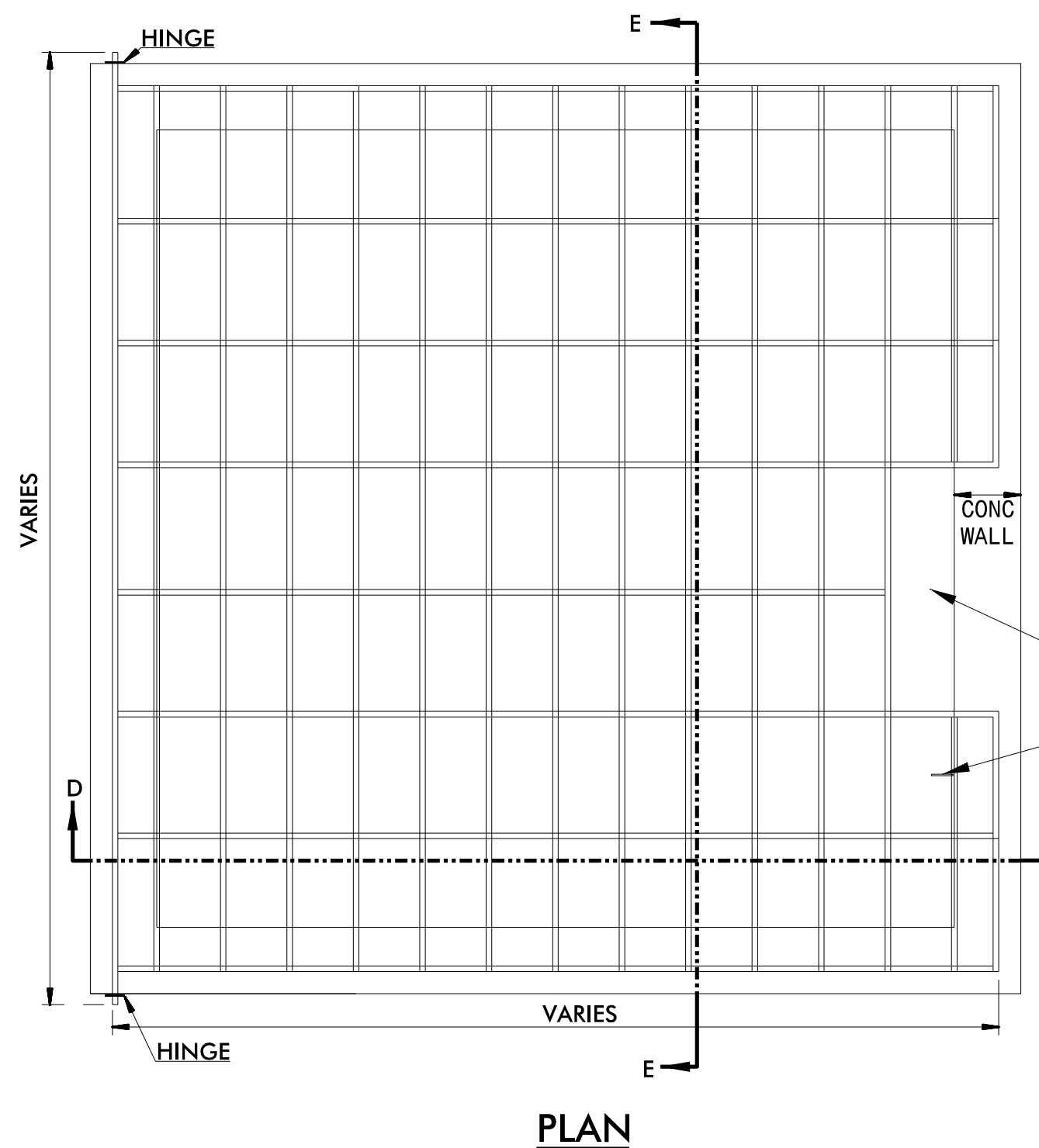
TRASH RACKS, CLEANOUT, AND PERIMETER DRAIN DETAILS

WETHERILL ENGINEERING
 1223 Jones Franklin Road
 Raleigh, N.C. 27606
 License No. F-0377
 Bus: 919 851 8077
 Fax: 919 851 8107

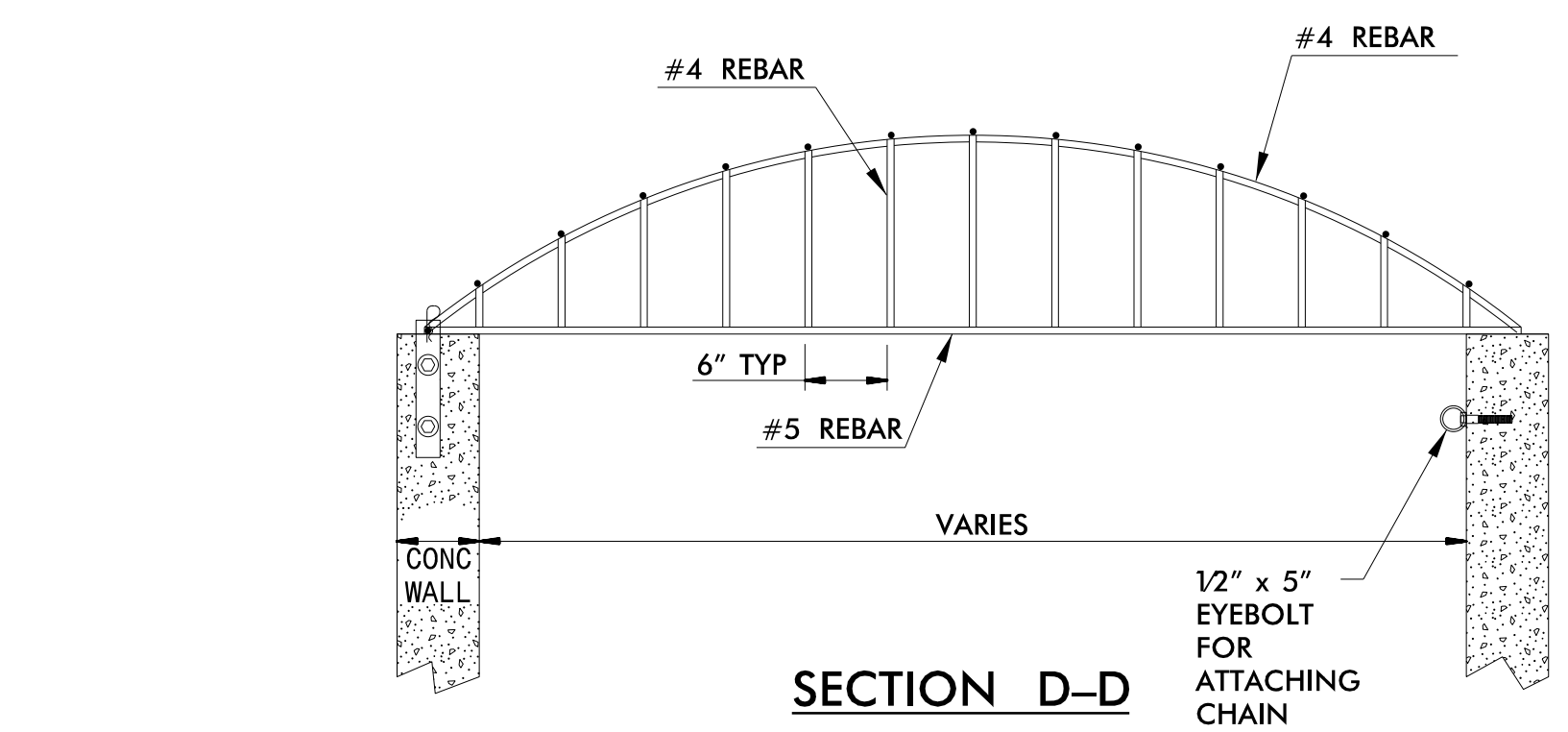
TRANSPORTATION PLANNING/DESIGN - BRIDGE/STRUCTURE DESIGN
 CIVIL/SITE DESIGN - GIS/GPS - CONSTRUCTION OBSERVATION

PROJECT REFERENCE NO. <i>U-2525C</i>	SHEET NO. <i>2D-7</i>
RW SHEET NO.	
HYDRAULICS ENGINEER 1/10/2018	

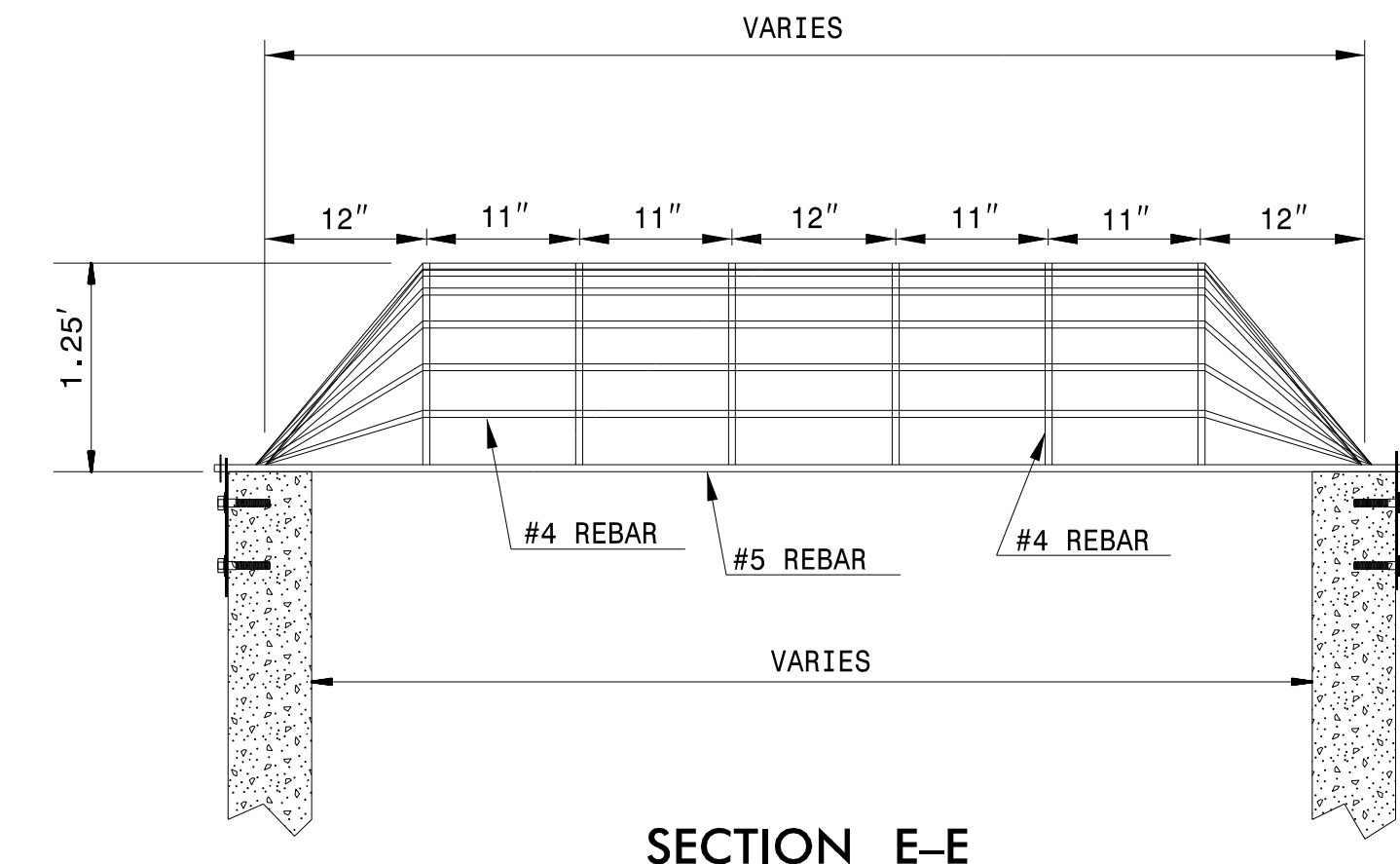
DOCUMENT NOT CONSIDERED FINAL UNLESS ALL SIGNATURES COMPLETED
 NOT TO SCALE



- RISER TRASH RACK NOTES:**
1. ALL JOINTS SHALL BE FULLY WELDED AROUND JOINT WITH A MINIMUM OF A 1/4" BEAD.
 2. IF BOLTS ARE ANCHORED IN CONCRETE, FOLLOW STD. DWG. 862.03 AND 862.04 FOR ANCHORING PROCEDURE.
 3. EYEBOLT FOR CHAIN CLOSURE SHALL BE INSTALLED BY THE SAME METHOD AS THE HINGE PLATE BOLTS.
 4. RACK AND HARDWARE SHALL BE REBAR AND GALVANIZED IN ACCORDANCE WITH ASTM A-153.
 5. PROVIDE OPENING IN TRASH RACK TO ACCOMMODATE SLUICE GATE ON THE OUTLET PIPE.

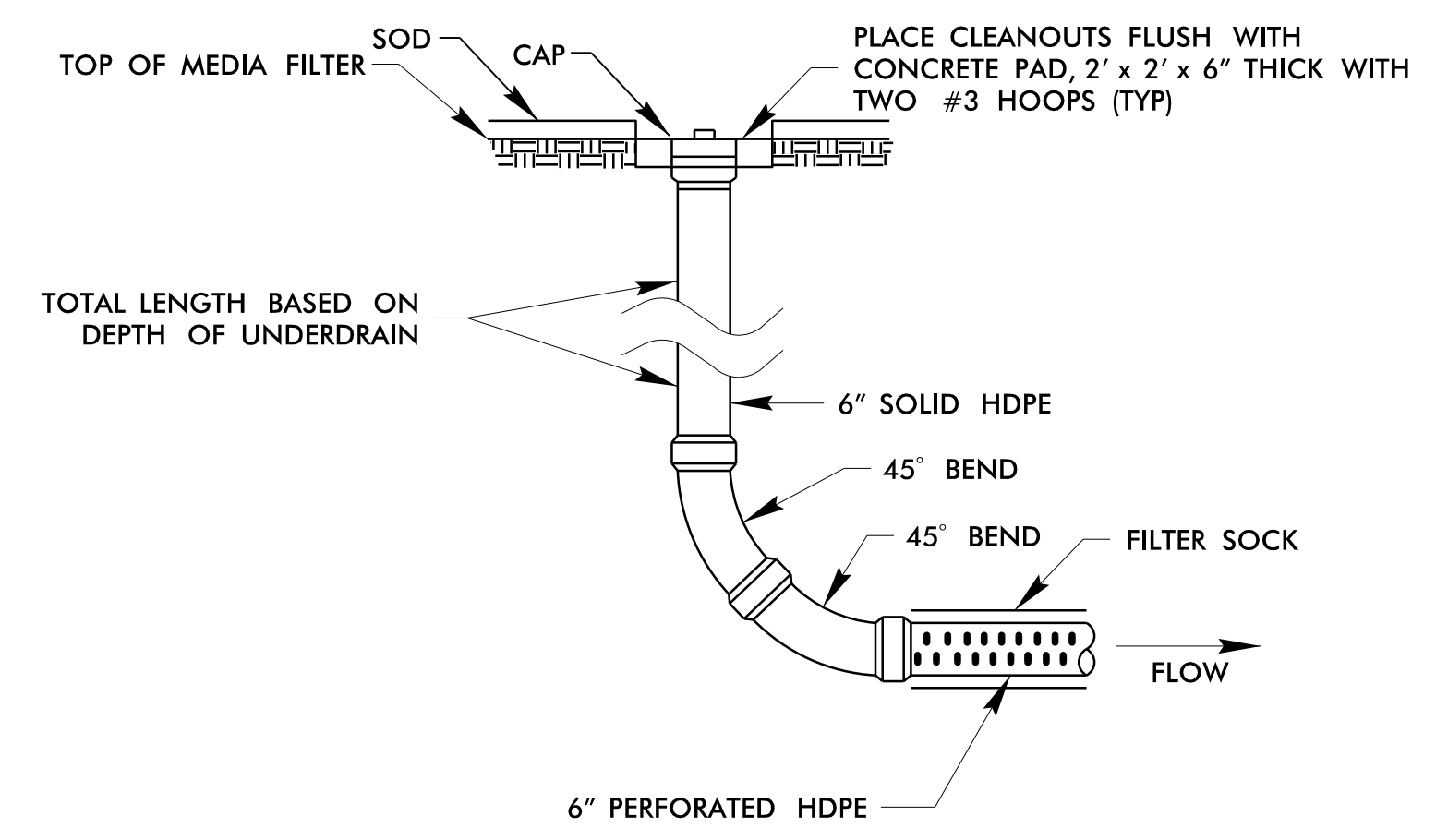


SECTION D-D



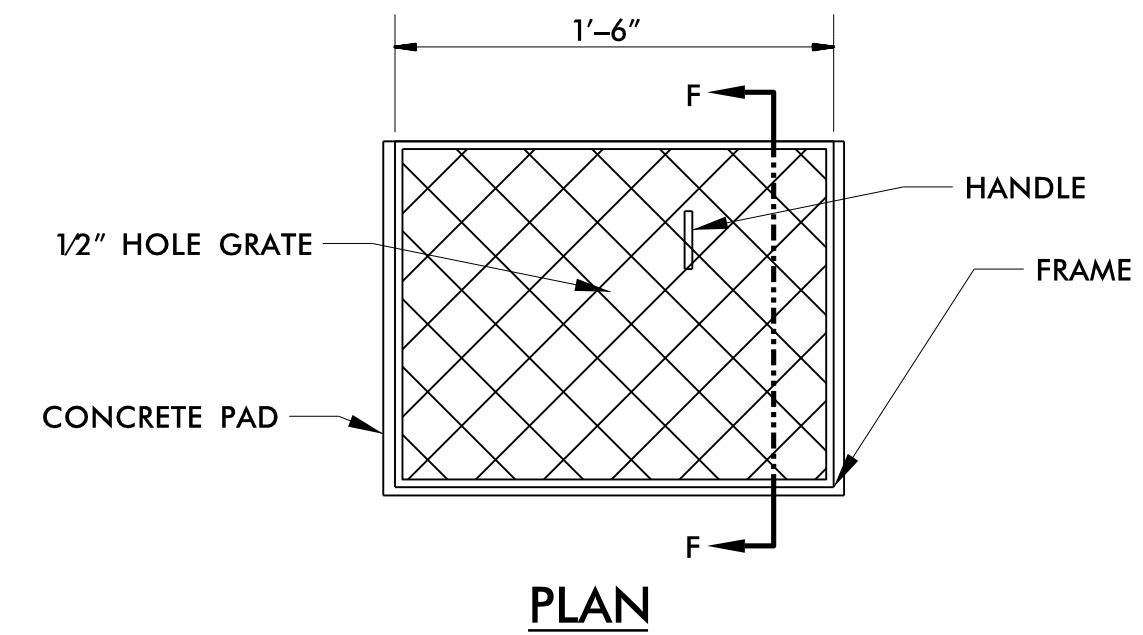
SECTION E-E

REBAR TRASH RACK

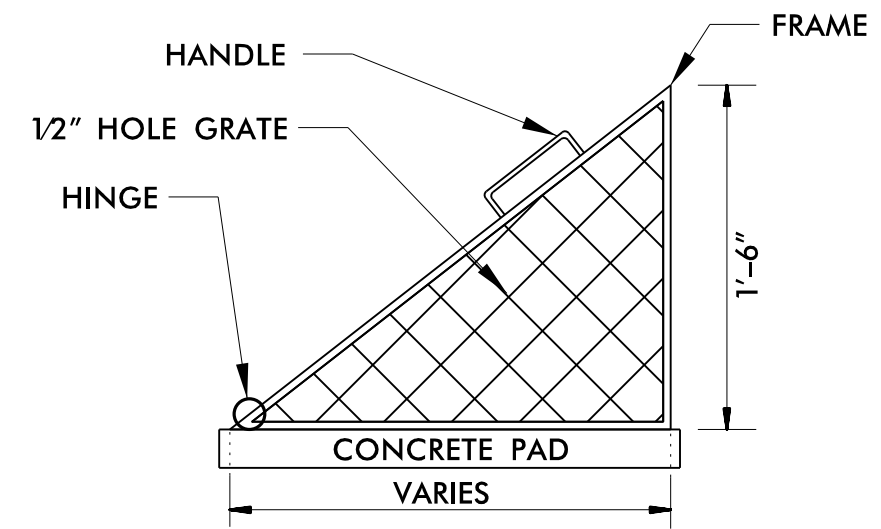


- CLEANOUT NOTES:**
1. ONLY UNDERDRAIN PIPE THAT IS LOCATED BENEATH ENGINEERED SOIL MEDIA SHOULD BE PERFORATED.
 2. PROVIDE THREADED SCREW CAP.

CLEANOUT



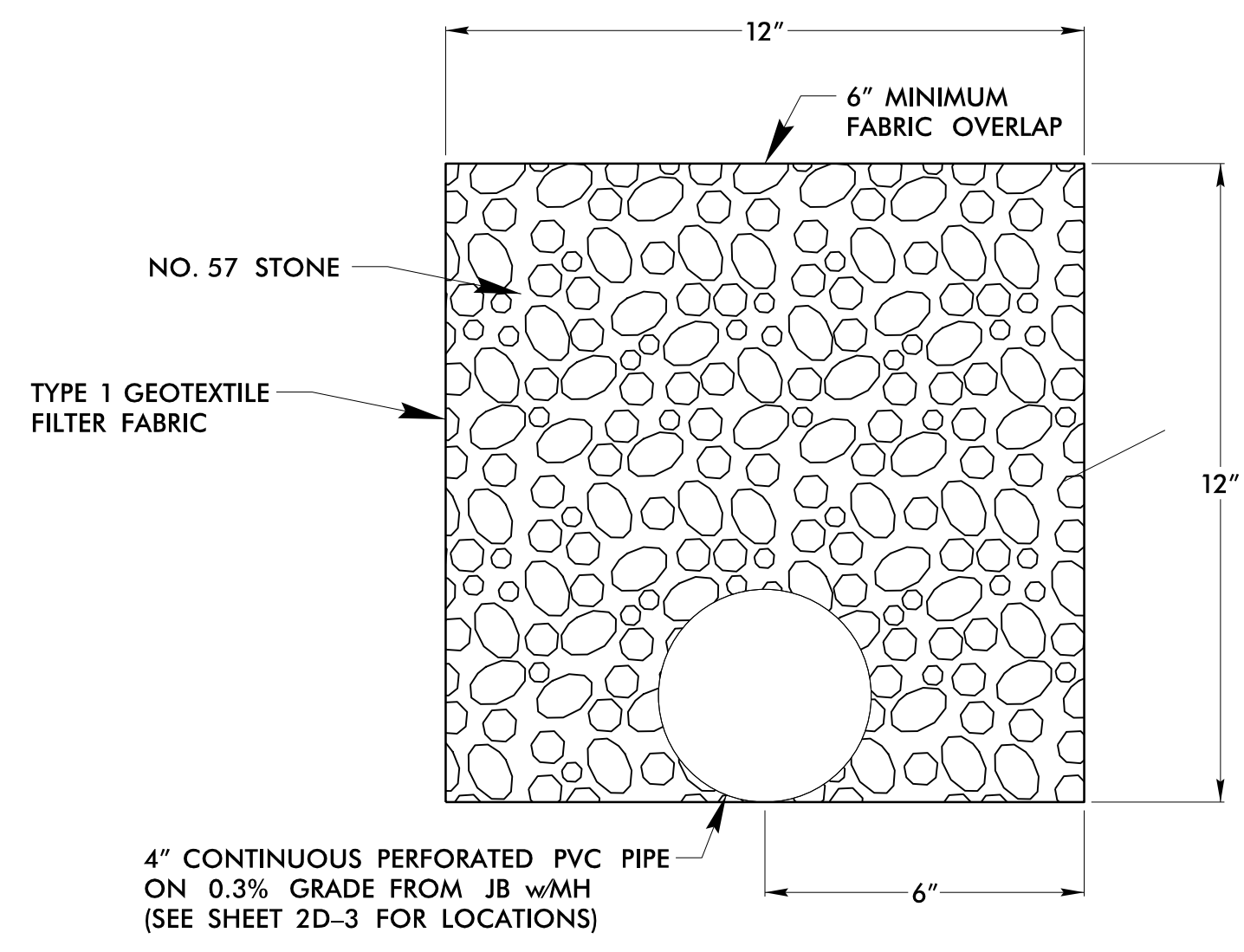
PLAN



SECTION F-F

- ORIFICE TRASH RACK NOTES:**
1. ALL JOINTS SHALL BE FULLY WELDED AROUND JOINT WITH A MINIMUM OF A 1/4" BEAD.
 2. IF BOLTS ARE ANCHORED IN CONCRETE, FOLLOW STD. DWG. 862.03 AND 862.04 FOR ANCHORING PROCEDURE.
 3. REMOVEABLE ORIFICE TRASH RACK SHALL BE ATTACHED TO CONCRETE BOX BY HINGE OR SLIDE RAIL SYSTEM.
 4. RACK AND HARDWARE SHALL BE ALUMINUM OR GALVANIZED IN ACCORDANCE WITH ASTM A-153.

REMOVEABLE ORIFICE TRASH RACK



- AGGREGATE PERIMETER DRAIN NOTES:**
1. INSTALL WITH BASINS 2 & 7.
 2. SEE SHEET 2D-3 FOR INSTALLATION LOCATIONS

AGGREGATE PERIMETER DRAIN