

STATE OF NORTH CAROLINA
 DEPT. OF TRANSPORTATION
 DIVISION OF HIGHWAYS
 RALEIGH, N.C.

ENGLISH DETAIL DRAWING FOR
PRECAST MANHOLE 7', 8' AND 9' DIAMETER

SHEET 1 OF 1
840D52

GENERAL NOTES

USE 4000 PSI MINIMUM COMPRESSIVE STRENGTH CONCRETE.

DESIGN, FABRICATE AND ASSEMBLE PRECAST MANHOLE COMPONENTS IN ACCORDANCE WITH AASHTO M199.

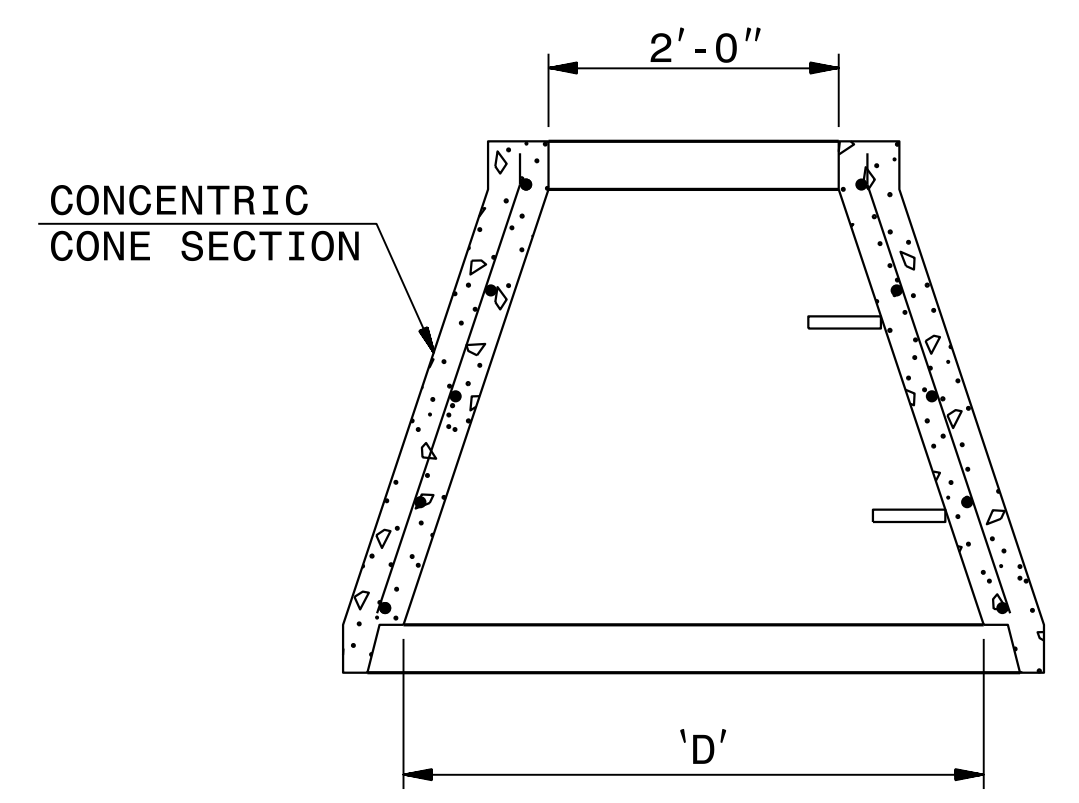
ASSEMBLE RISER AND GRADE RINGS WITH STEPS SPACED 16" FROM THE TOP TO THE BOTTOM OF THE MANHOLE.

WHERE THE MANHOLE IS EXPOSED TO ROAD TRAFFIC, THE TOP OF THE MANHOLE IS TO BE FLUSH WITH THE GROUND. AT OTHER LOCATIONS IT SHOULD BE A MINIMUM OF 9" ABOVE THE GROUND.

DEPTH OF FILL LIMITED TO 30'-0" FROM FINSH GRADE TO TOP OF BOTTOM SLAB.

THE MIN. SLAB THICKNESS 'T' SHALL BE THE DIMENSION OF THE THINNEST PORTION OF THE TOP/BOTTOM SLAB.

* TOP MAT OF REINFORCEMENT MAY BE NEGLECTED IF TOP SLAB HAS A DISTINGUISHABLE TOP AND BOTTOM.



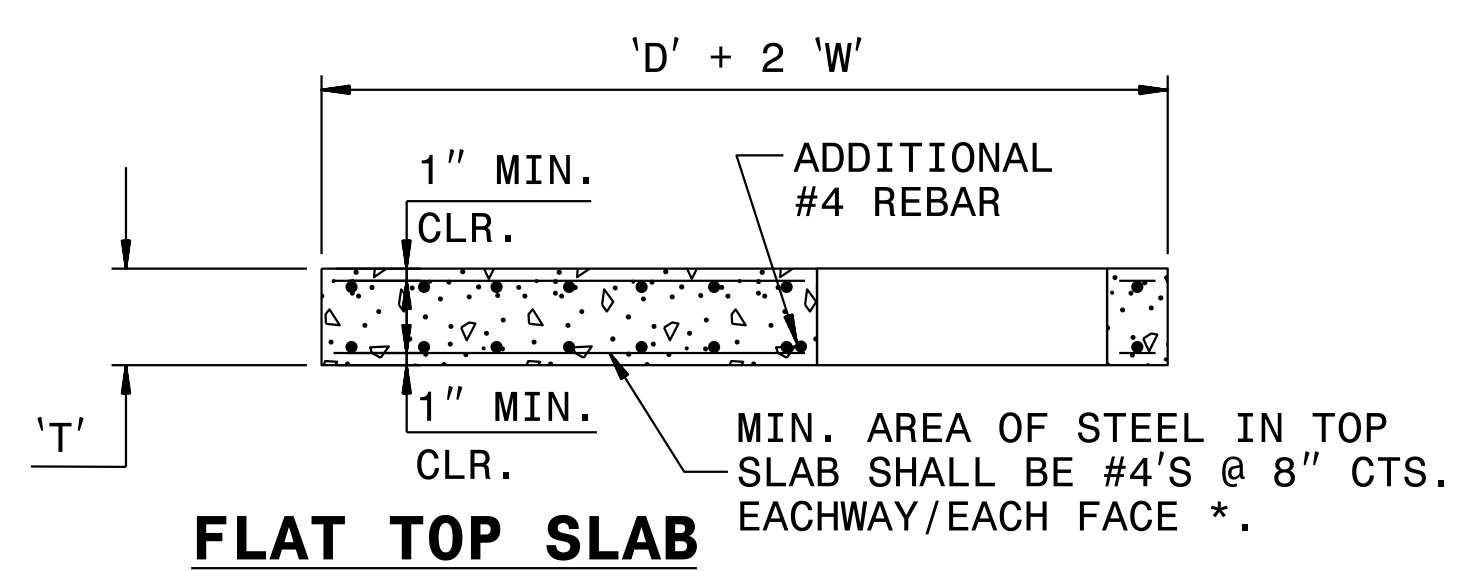
ALTERNATE CONE SECTION

D	W	T	As
INTERNAL DIAMETER (FT.)	MIN. WALL THICKNESS (IN.)	MIN. TOP/BOTTOM SLAB THICKNESS (IN.)	MIN. CIRCUMFERENTIAL AREA OF STEEL PER VERTICAL FT. (SQ. IN.)
7	8.0	8	0.21
8	8.5	8	0.24
9	9.0	9	0.27

STATE OF NORTH CAROLINA
 DEPT. OF TRANSPORTATION
 DIVISION OF HIGHWAYS
 RALEIGH, N.C.

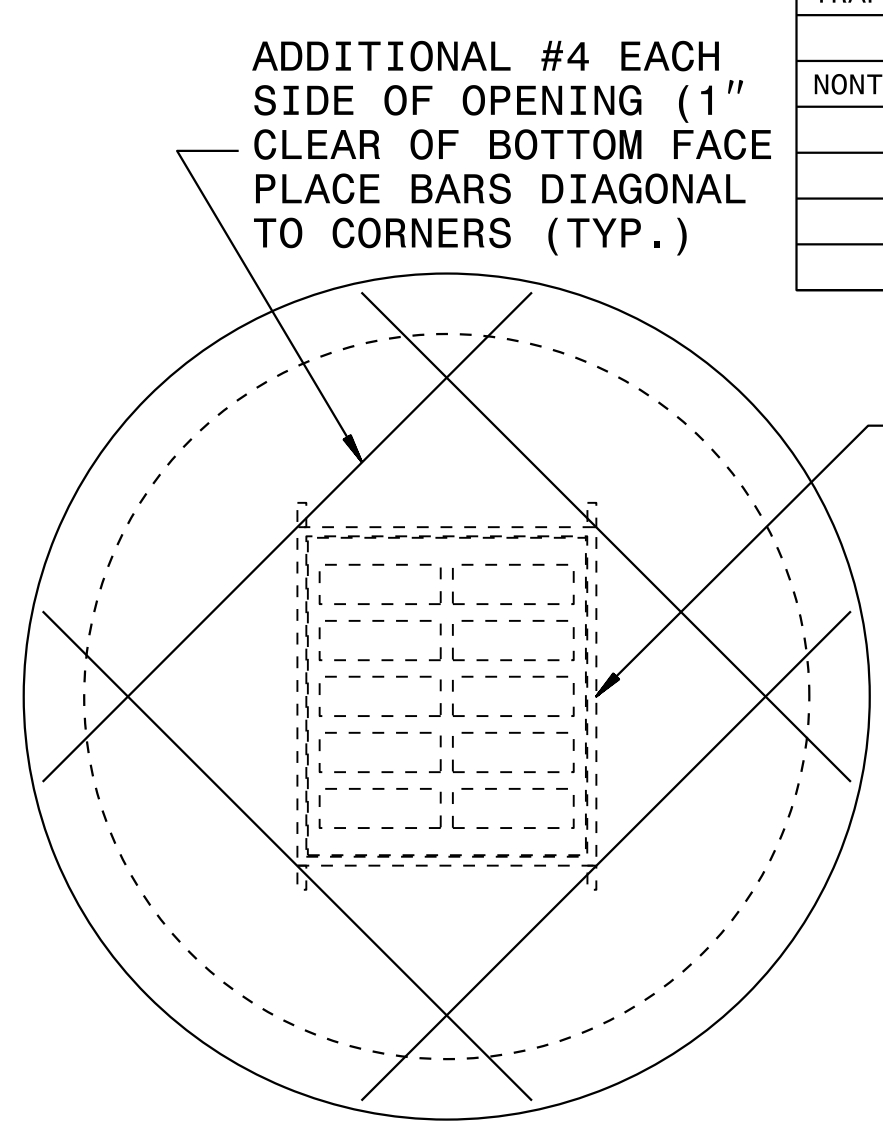
ENGLISH DETAIL DRAWING FOR
PRECAST MANHOLE 7', 8' AND 9' DIAMETER

SHEET OF
840D52

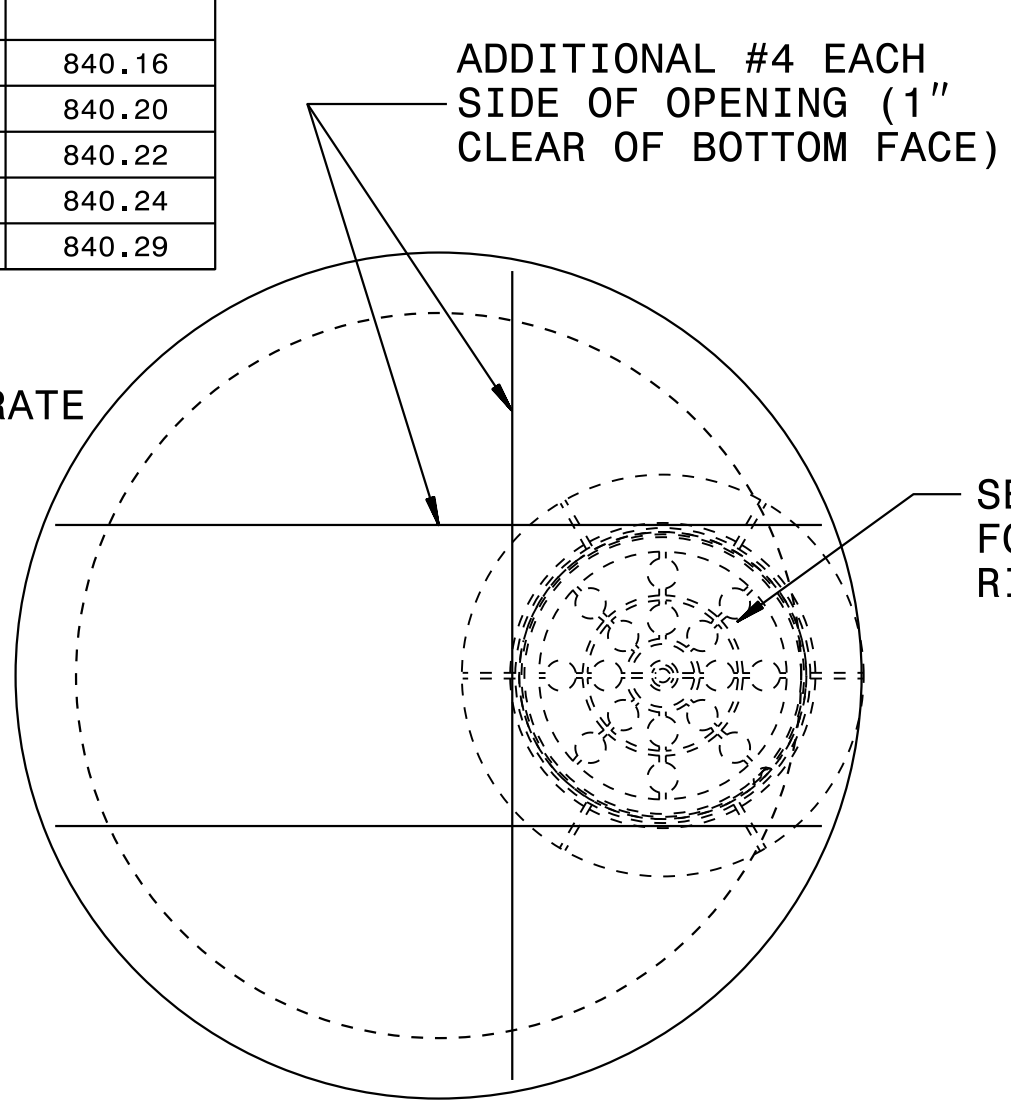


FLAT TOP SLAB

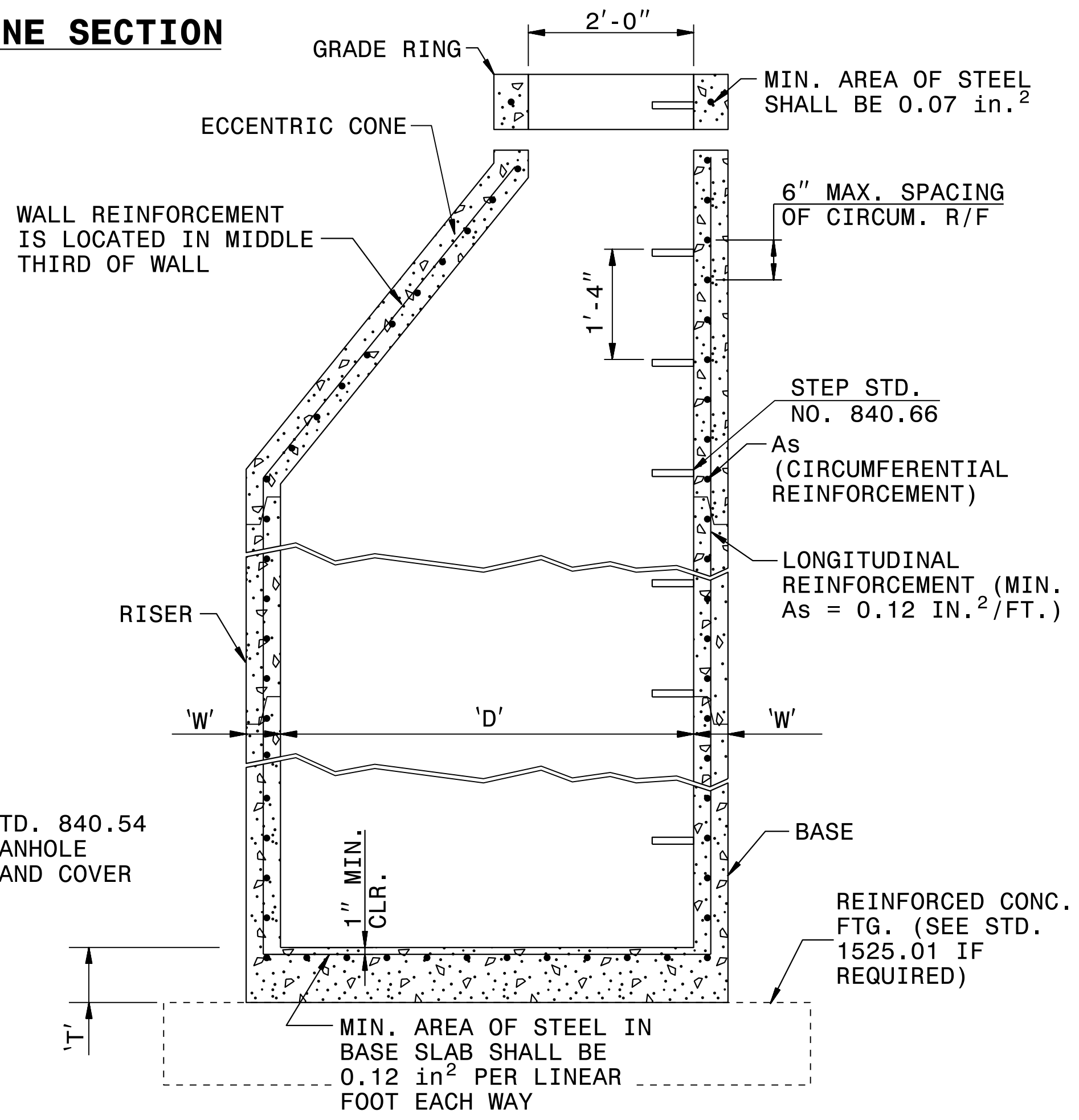
FRAME AND GRATES	STD. NO.
TRAFFIC BEARING	840.37
NONTRAFFIC BEARING:	
	840.16
	840.20
	840.22
	840.24
	840.29



GRATED INLET OPTION



MANHOLE OPTION



TYPICAL MANHOLE SECTION

05-OCT-2017 08:17
 S:\Contracts\Special\Stand\stand\840d52_8&9.dgn
 J:\power\ton AT_CSD-252555



DOCUMENT NOT CONSIDERED FINAL UNLESS ALL SIGNATURES COMPLETED

CONTRACT STANDARDS AND DEVELOPMENT UNIT

Office 919-707-6950 FAX 919-250-4119

SEE PLATE FOR TITLE

ORIGINAL BY: T.S. Spell	DATE: 7-17-00
MODIFIED BY:	DATE:
CHECKED BY:	DATE:
FILE SPEC.: ds174:usr/details/stand/840d52_8&9.dgn	