

EMERGENCY VEHICLE PREEMPTION PROGRAMMING DETAIL

(program controller as shown below)

From Main Menu press 'A' (Preemption), then '1' (Standard Preemptions). Press 'NEXT' to advance to Preemption #3.

PREEMPTION #3	SETTINGS (NEXT:1-10)
INTERVAL/TIMING	CLEAR/DWELL PHASES
GRN YEL RED	12345678910111213141516
1 255 0.0 0.0	X X
2 0 0.0 0.0	
3 0 0.0 0.0	
4 0 0.0 0.0	
5 0 0.0 0.0	

EXIT CALLS	
PRIORITY (Y/N TO SELECT)	MED
DELAY TIMER (0-255 SEC)	0
MIN GREEN BEFORE PRE (0= DEFAULT)...	1
PED CLEAR BEFORE PRE (0= DEFAULT)...	0
YELLOW CLEAR BEFORE PRE (0= DEFAULT)...	0.0
RED CLEAR BEFORE PRE (0= DEFAULT)...	0.0
DWELL MIN TIMER (0-255 SEC)	12
DWELL MAX TIMER (0=OFF,1-255MIN) ...	0
DWELL HOLD-OVER TIMER (0-255)	0
LATCH CALL?	N
LINK TO NEXT PREEMPT?	N
ENABLE BACKUP PROTECTION?	N
HOLD CLEAR 1 PHASES DURING DELAY? ..	N
FAST GREEN FLASH DWELL PHASES?	N
PED CLEARANCE THROUGH YELLOW?	N
INHIBIT OVERLAP GREEN EXTENSION? ..	N
SERVICE DURING SOFTWARE FLASH?	N
REST IN RED DURING DWELL INTERVAL? ..	N
FLASH DWELL INTERVAL?	N
ALLOW PEDS IN DWELL INTERVAL?	N
RE-TIME DWELL INTERVAL?	N
OVERLAPS:	ABCDEFGHIJKLMNPO
DWELL INT FLASH YELLOW	
OMIT OVERLAPS:	X

PRESS 'NEXT' TWICE

PREEMPTION #5	SETTINGS (NEXT:1-10)
INTERVAL/TIMING	CLEAR/DWELL PHASES
GRN YEL RED	12345678910111213141516
1 255 0.0 0.0	X X
2 0 0.0 0.0	
3 0 0.0 0.0	
4 0 0.0 0.0	
5 0 0.0 0.0	

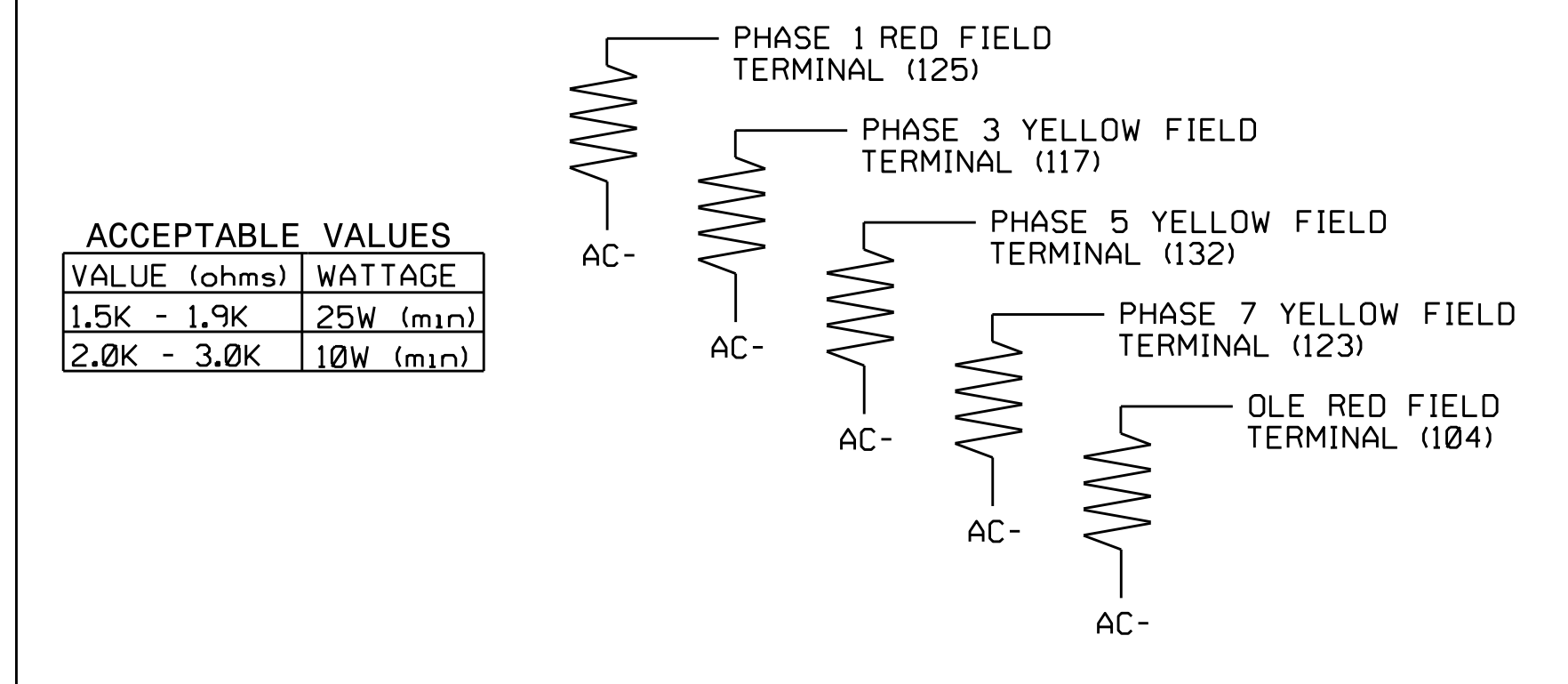
EXIT CALLS	
PRIORITY (Y/N TO SELECT)	MED
DELAY TIMER (0-255 SEC)	0
MIN GREEN BEFORE PRE (0= DEFAULT)...	1
PED CLEAR BEFORE PRE (0= DEFAULT)...	0
YELLOW CLEAR BEFORE PRE (0= DEFAULT)...	0.0
RED CLEAR BEFORE PRE (0= DEFAULT)...	0.0
DWELL MIN TIMER (0-255 SEC)	7
DWELL MAX TIMER (0=OFF,1-255MIN) ...	0
DWELL HOLD-OVER TIMER (0-255)	0
LATCH CALL?	N
LINK TO NEXT PREEMPT?	N
ENABLE BACKUP PROTECTION?	N
HOLD CLEAR 1 PHASES DURING DELAY? ..	N
FAST GREEN FLASH DWELL PHASES?	N
PED CLEARANCE THROUGH YELLOW?	N
INHIBIT OVERLAP GREEN EXTENSION? ..	N
SERVICE DURING SOFTWARE FLASH?	N
REST IN RED DURING DWELL INTERVAL? ..	N
FLASH DWELL INTERVAL?	N
ALLOW PEDS IN DWELL INTERVAL?	N
RE-TIME DWELL INTERVAL?	N
OVERLAPS:	ABCDEFGHIJKLMNPO
DWELL INT FLASH YELLOW	
OMIT OVERLAPS:	

PREEMPT PROGRAMMING COMPLETE

Program extend time on optical detector units for 5.0 sec for EVP3 and EVP5.

LOAD RESISTOR INSTALLATION DETAIL

(install resistors as shown below)



PREEMPT ONLY PHASE OMIT NOTE

(program controller as shown below)

From Main Menu press '2' (Phase Control). Then '1' (Phase Control Functions). Program Phase 5 for 'Omit Phase' and Phases 1, 2, 4, 6, and 8 for 'Startup Calls'. This is to prevent Phase 5 from being served when not in Preempt.

THIS ELECTRICAL DETAIL IS FOR THE SIGNAL DESIGN: 04-0667
DESIGNED: January 2017
SEALED: 2/14/17
REVISED: N/A

Electrical Detail - Sheet 3 of 4

DOCUMENT NOT CONSIDERED FINAL UNLESS ALL SIGNATURES COMPLETED

	Prepared In the Offices of: US 64 Alternate at NC 43 Bypass/ SR 1250 (Springfield Road)	SEAL
	Division 4 Edgecombe County Rocky Mount PLAN DATE: February 2017 REVIEWED BY: BAS PREPARED BY: B. SIMMONS REVIEWED BY: KMM	
750 N. Greenfield Pkwy, Garner, NC 27529		Documented by: <u>Mohd Aslam</u> 2/22/2017 DATE _____ _____ _____ SIG. INVENTORY NO. 04-0667

04-0667-2017_10136
 S:\MITS\SIG\TSS\SIG_Maps\Sig\Workgroups\Sig_Map\Sig\mms\Working_Folder\Electrical_Detail\040667_smc_ele_xxx.dgn
 bjs/simmons