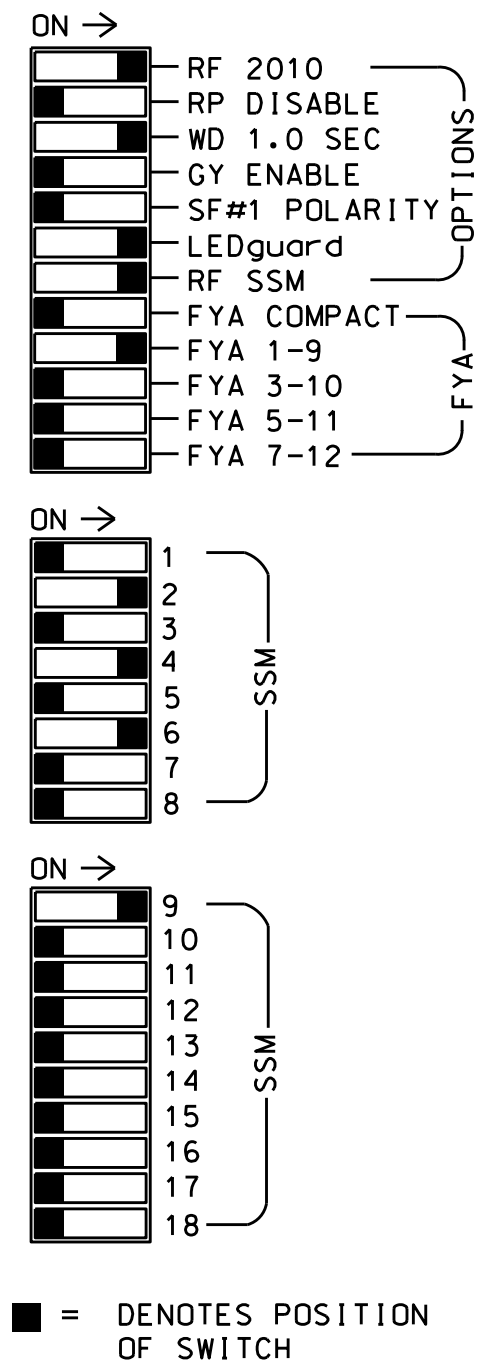
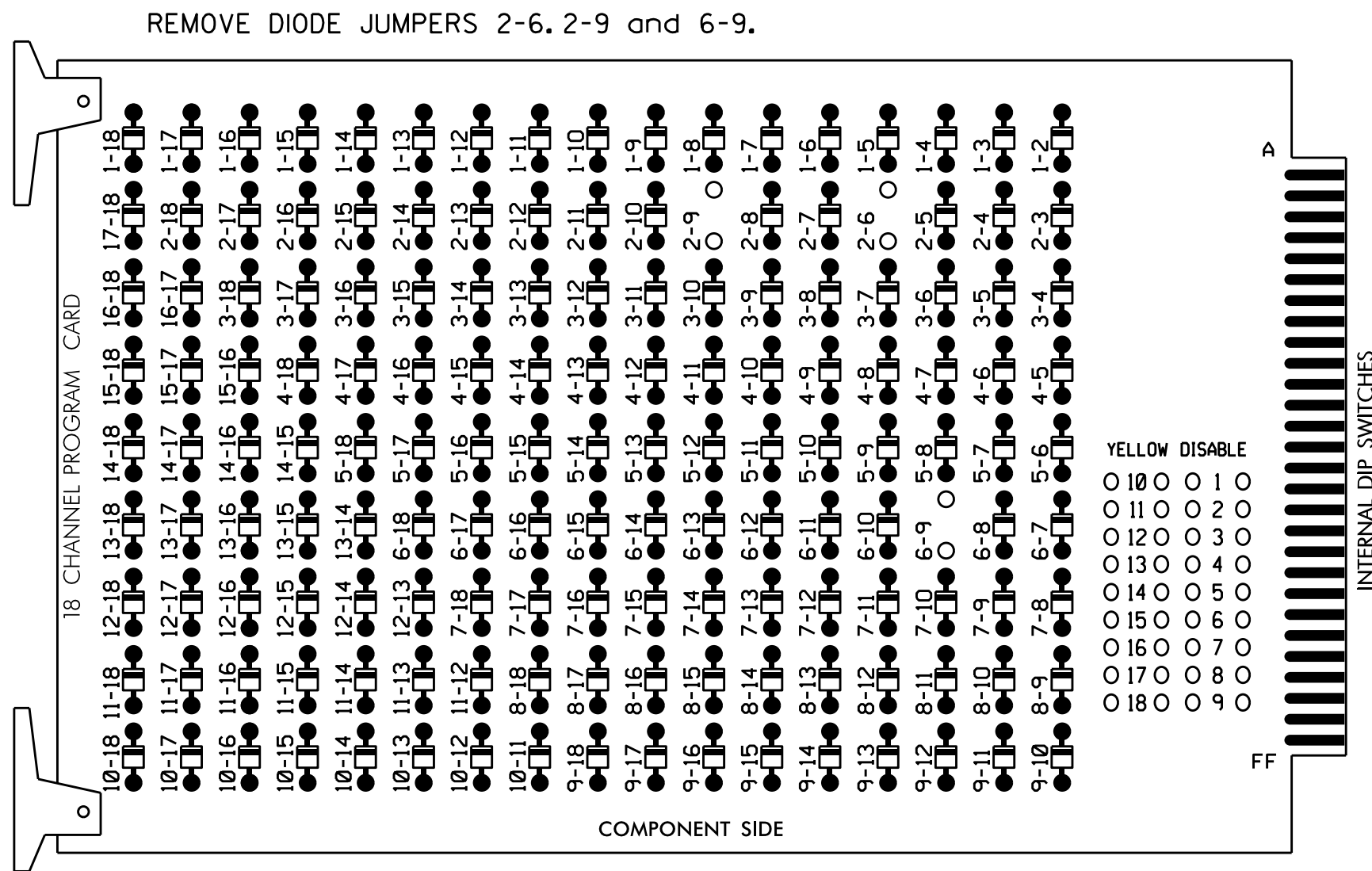
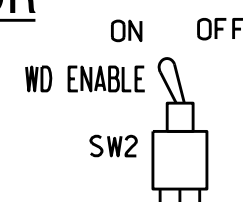


EDI MODEL 2018ECL-NC CONFLICT MONITOR PROGRAMMING DETAIL

(remove jumpers and set switches as shown)



- NOTES:**
- Card is provided with all diode jumpers in place. Removal of any jumper allows its channels to run concurrently.
 - Ensure jumpers SEL2-SEL5 and SEL9 are present on the monitor board.
 - Ensure that Red Enable is active at all times during normal operation.
 - Connect serial cable from conflict monitor to comm. port 1 of 2070 controller. Ensure conflict monitor communicates with 2070.

NOTES

- To prevent "flash-conflict" problems, insert red flash program blocks for all unused vehicle load switches in the output file. The installer shall verify that signal heads flash in accordance with the Signal Plans.
- Enable Simultaneous Gap-Out for all Phases.
- Program phases 2 and 6 for Variable Initial and Gap Reduction.
- Program phases 2 and 6 for Startup In Green.
- Program phases 2 and 6 for Yellow Flash, and overlap 1 as Wag Overlaps.
- The cabinet and controller are part of the NC 59 Closed Loop System.

EQUIPMENT INFORMATION

CONTROLLER.....2070
 CABINET.....332 W/ AUX
 SOFTWARE.....ECONOLITE OASIS
 CABINET MOUNT.....BASE
 OUTPUT FILE POSITIONS...18 WITH AUX. OUTPUT FILE
 LOAD SWITCHES USED.....S2,S5,S8,AUX S1
 PHASES USED.....2,4,6
 OVERLAP "A".....2
 OVERLAP "B".....NOT USED
 OVERLAP "C".....NOT USED
 OVERLAP "D".....NOT USED

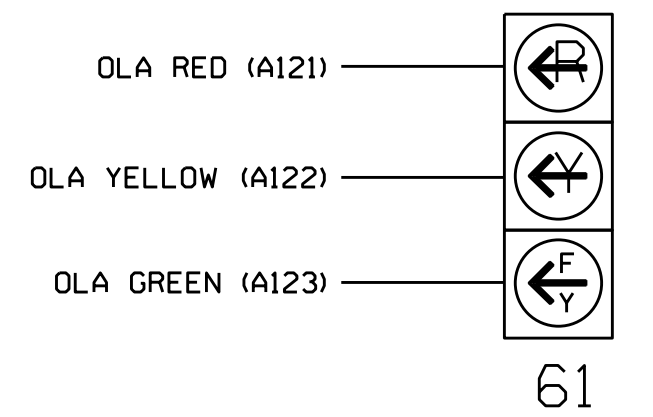
SIGNAL HEAD HOOK-UP CHART

LOAD SWITCH NO.	S1	S2	S3	S4	S5	S6	S7	S8	S9	S10	S11	S12	AUX S1	AUX S2	AUX S3	AUX S4	AUX S5	AUX S6
CMU CHANNEL NO.	1	2	13	3	4	14	5	6	15	7	8	16	9	10	17	11	12	18
PHASE	1	2	2 PED	3	4	4 PED	5	6	6 PED	7	8	8 PED	OLA	OLB	SPARE	OLC	OLD	SPARE
SIGNAL HEAD NO.	NU	21,22	NU	NU	41,42	NU	NU	62,63	NU	NU	NU	NU	61	NU	NU	NU	NU	NU
RED		128			101			134										
YELLOW		129			102			135										
GREEN		130			103			136										
RED ARROW													A121					
YELLOW ARROW													A122					
FLASHING YELLOW ARROW													A123					
GREEN ARROW																		

NU = Not Used
 * See pictorial of head wiring in detail this sheet.

FYA SIGNAL WIRING DETAIL

(wire signal head as shown)



INPUT FILE POSITION LAYOUT

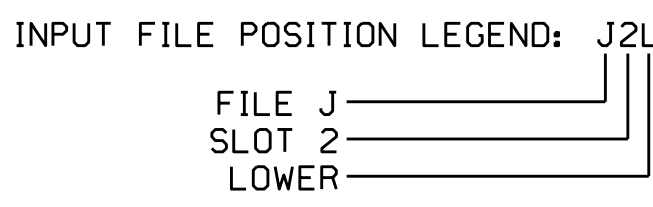
(front view)

FILE	1	2	3	4	5	6	7	8	9	10	11	12	13	14
U	FS	∅ 2	∅ 2	∅ 2	∅ 2	∅ 4	∅ 4	∅ 4	∅ 4	∅ 4	∅ 4	∅ 4	∅ 4	FS
L	ISOLATOR	2A	2B	2B	2B	NOT USED	NOT USED	NOT USED	NOT USED	NOT USED	NOT USED	NOT USED	NOT USED	ISOLATOR
U	FS	NOT USED	NOT USED	NOT USED	NOT USED	NOT USED	NOT USED	NOT USED	NOT USED	NOT USED	NOT USED	NOT USED	NOT USED	FS
L	ISOLATOR	6B	6B	6B	6B	6B	6B	6B	6B	6B	6B	6B	6B	ISOLATOR

EX.: 1A, 2A, ETC. = LOOP NO.'S
 FS = FLASH SENSE
 ST = STOP TIME

INPUT FILE CONNECTION & PROGRAMMING CHART

LOOP NO.	LOOP TERMINAL	INPUT FILE POS.	PIN NO.	INPUT ASSIGNMENT NO.	DETECTOR NO.	NEMA PHASE	CALL	EXTEND	FULL TIME DELAY	STRETCH TIME	DELAY TIME
2A	TB2-5,6	I2U	39	1	2	2	Y	Y			
2B	TB2-7,8	I2L	43	5	12	2	Y	Y			
4A	TB4-9,10	I6U	41	3	4	4	Y	Y			3
6B	TB3-7,8	J2L	44	6	16	6	Y	Y			3



OVERLAP PROGRAMMING DETAIL

(program controller as shown below)

FROM MAIN MENU PRESS '8' (OVERLAPS), THEN '1' (VEHICLE OVERLAP SETTINGS).

```

PAGE 1: VEHICLE OVERLAP 'A' SETTINGS
PHASE: 12345678910111213141516
VEH OVL PARENTS: X
VEH OVL NOT VEH: X
VEH OVL NOT PED: X
VEH OVL GRN EXT: X
STARTUP COLOR: - RED - YELLOW - GREEN
FLASH COLORS: - RED - YELLOW X GREEN
SELECT VEHICLE OVERLAP OPTIONS: (Y/N)
FLASH YELLOW IN CONTROLLER FLASH?...Y
GREEN EXTENSION (0-255 SEC)...0
YELLOW CLEAR (0=PARENT.3-25.5 SEC)...0.0
RED CLEAR (0=PARENT.0.1-25.5 SEC)...0.0
OUTPUT AS PHASE # (0=NONE, 1-16)...0
    
```

← NOTICE GREEN FLASH

OVERLAP PROGRAMMING COMPLETE

THIS ELECTRICAL DETAIL IS FOR THE SIGNAL DESIGN: 06-1357
 DESIGNED: October 2017
 SEALED: 11-28-17
 REVISED: N/A

SPECIAL DETECTOR NOTE

For zone 6A install a wireless detection system for vehicle detection. Perform installation according to manufacturer's directions and NCDOT engineer-approved mounting locations to accomplish the detection schemes shown on the Signal Design Plans.

Electrical Detail

Electrical and Programming Details For: NC 59 (Chicken Foot Road) at I-95 SB Ramps

Division 6 Cumberland County Hope Mills

PLAN DATE: November 2017 REVIEWED BY: [Signature]

PREPARED BY: James Peterson REVIEWED BY: [Signature]

REVISIONS: [Table]

INIT. DATE

DocuSigned by: Keith M. Mims 12/1/2017

750 N. Greenfield Pkwy, Garner, NC 27529

DOCUMENT NOT CONSIDERED FINAL UNLESS ALL SIGNATURES COMPLETED

SEAL: KEITH M. MIMS ENGINEER

SIG. INVENTORY NO. 06-1357

01-10-2017 11:56
 S:\IT\SSA\JTS\Sigal\work\hgr\oups\g_Mon\Peter_son\061357_snc.ele_xxx.dgn
 JTPeter_son