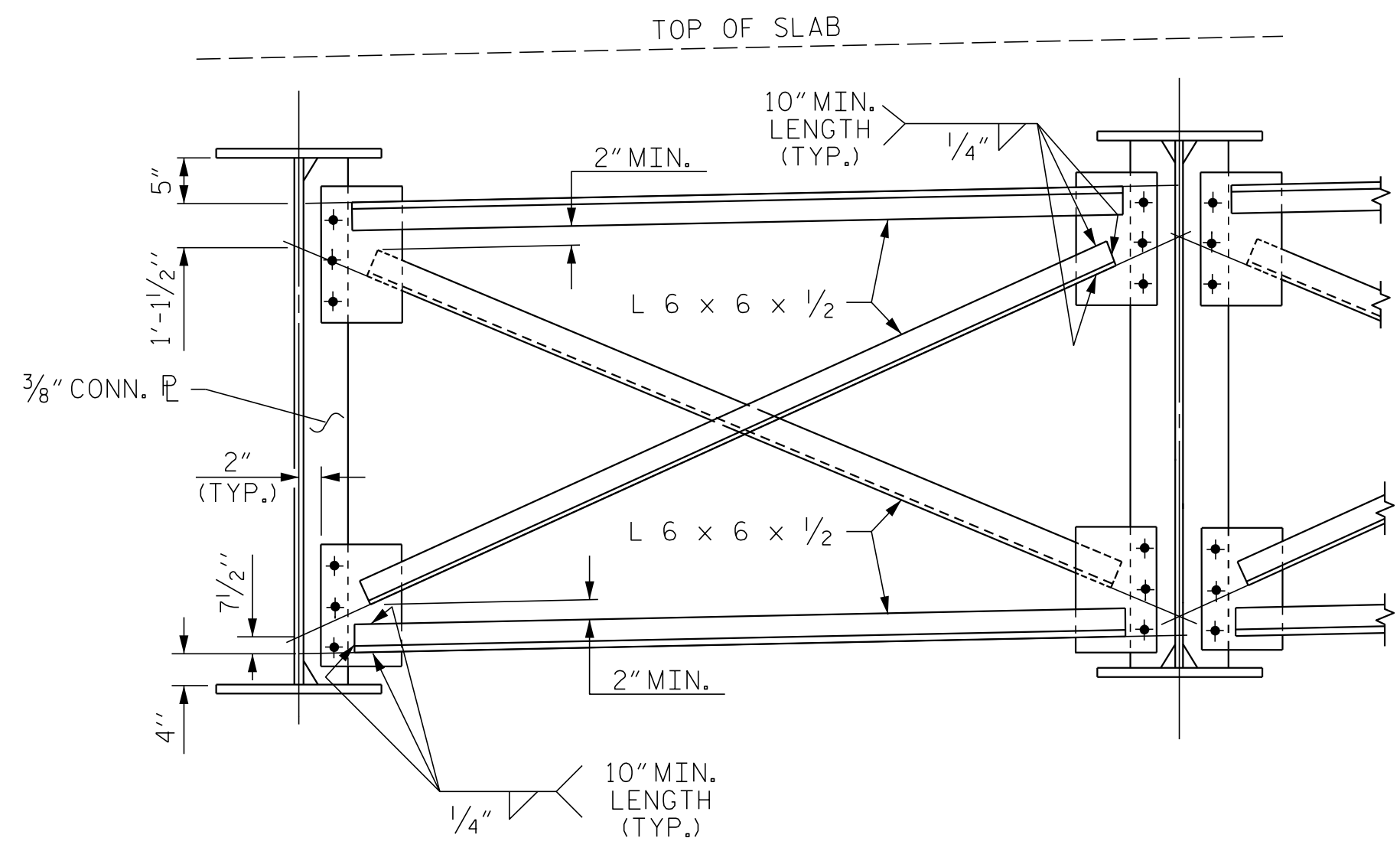
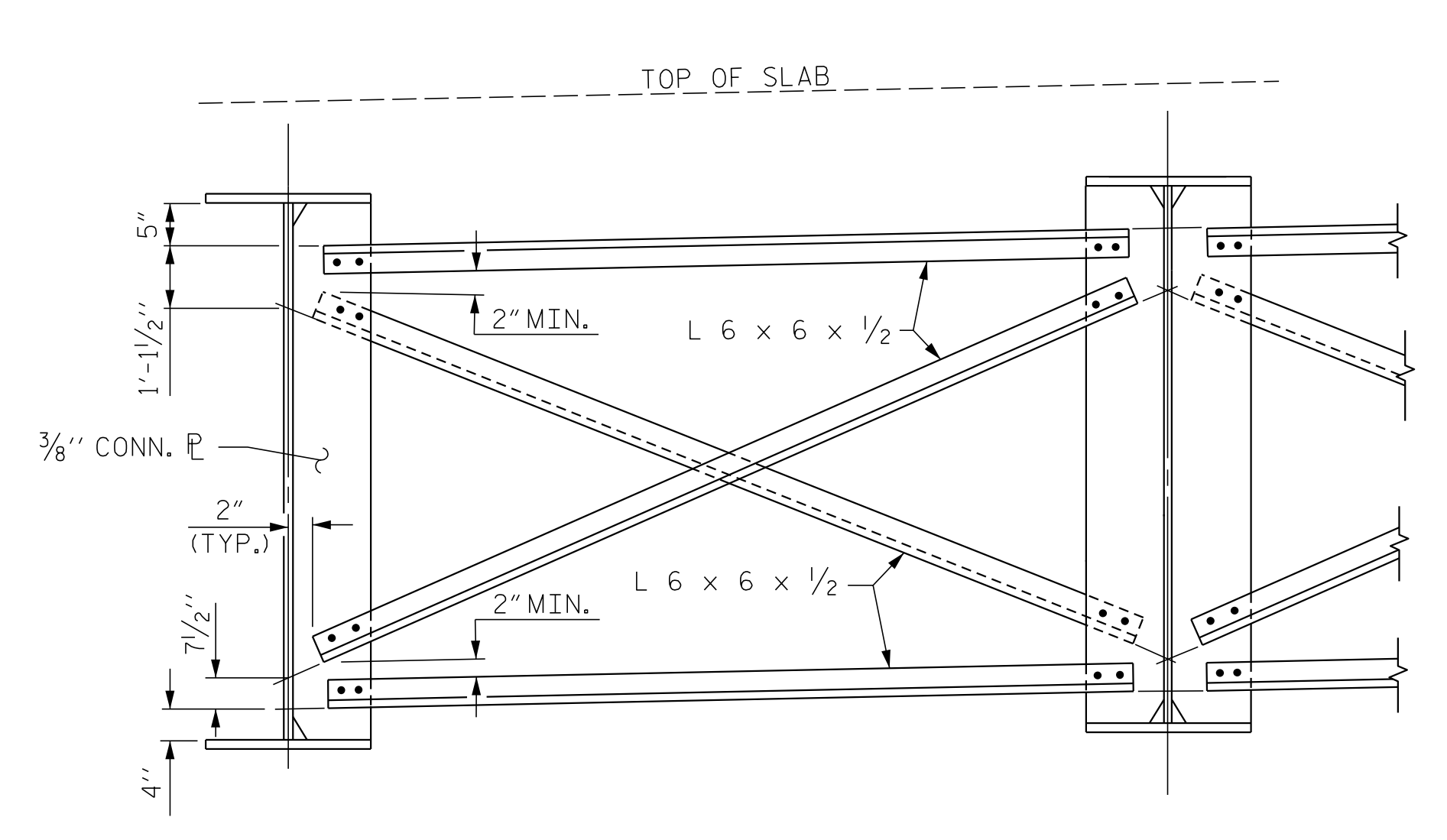


TYPICAL STIFFENER OR CONNECTOR PLATE CONNECTIONS

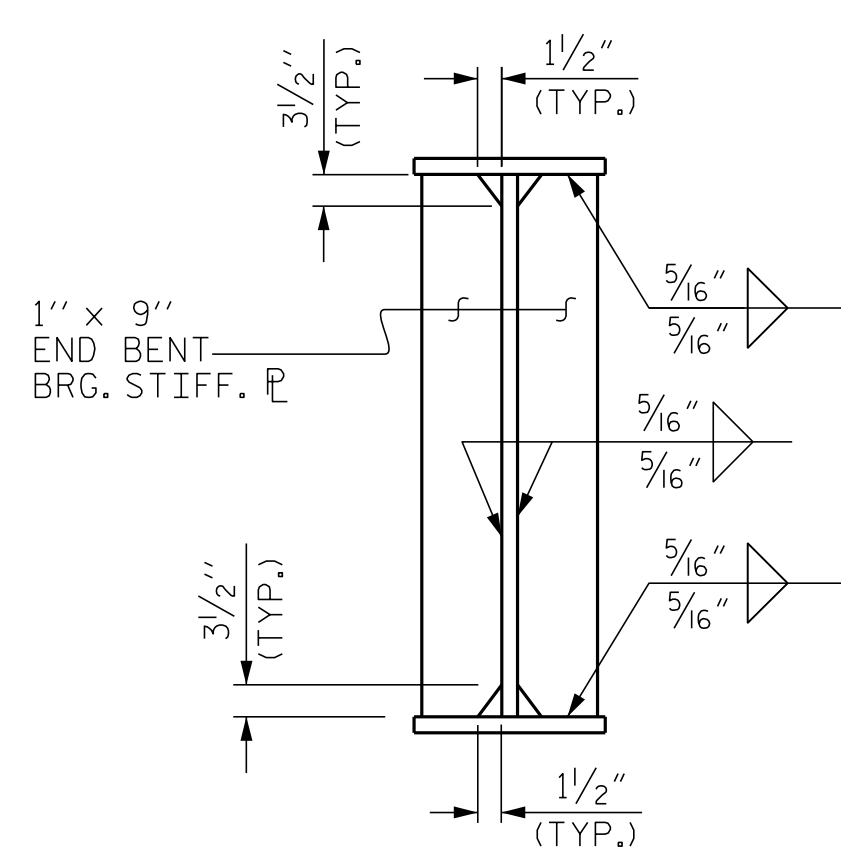
WELD TERMINATION DETAILS



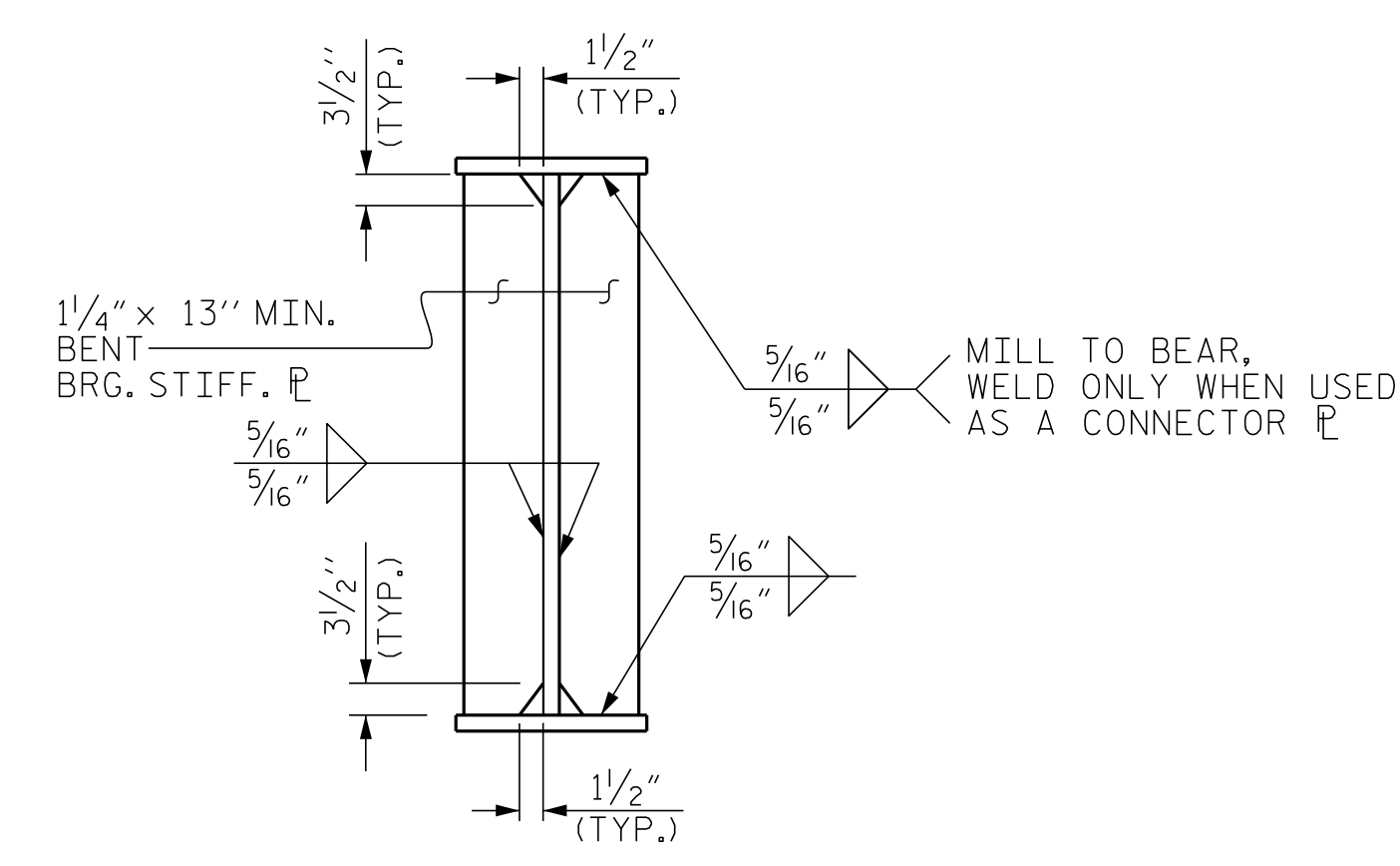
OPTIONAL INTERMEDIATE DIAPHRAGM



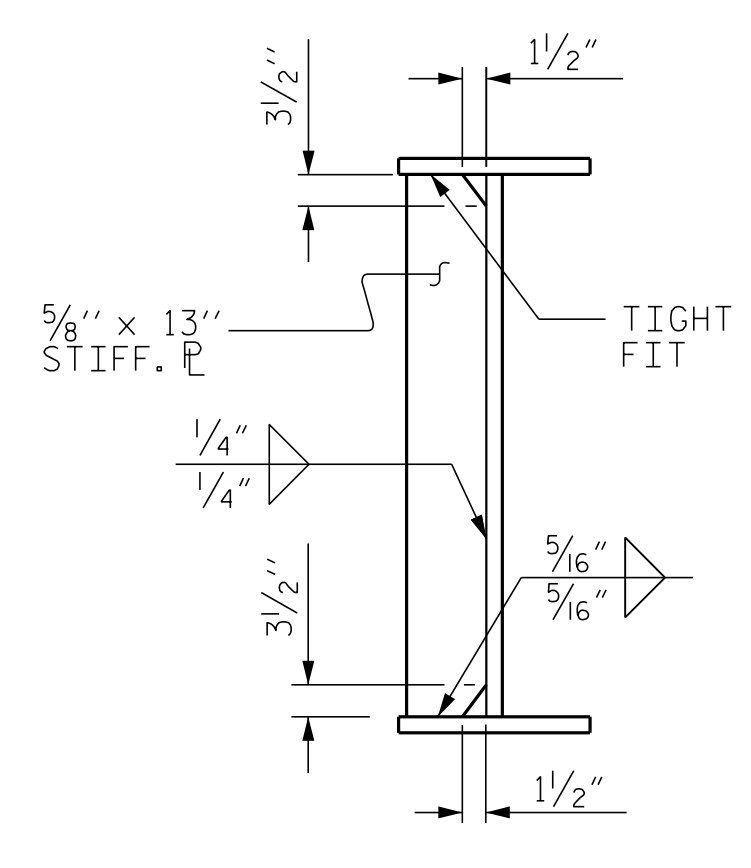
TYPICAL INTERMEDIATE DIAPHRAGM (D1) AND (D5)
(IN BAYS 1-5 & 7-9)



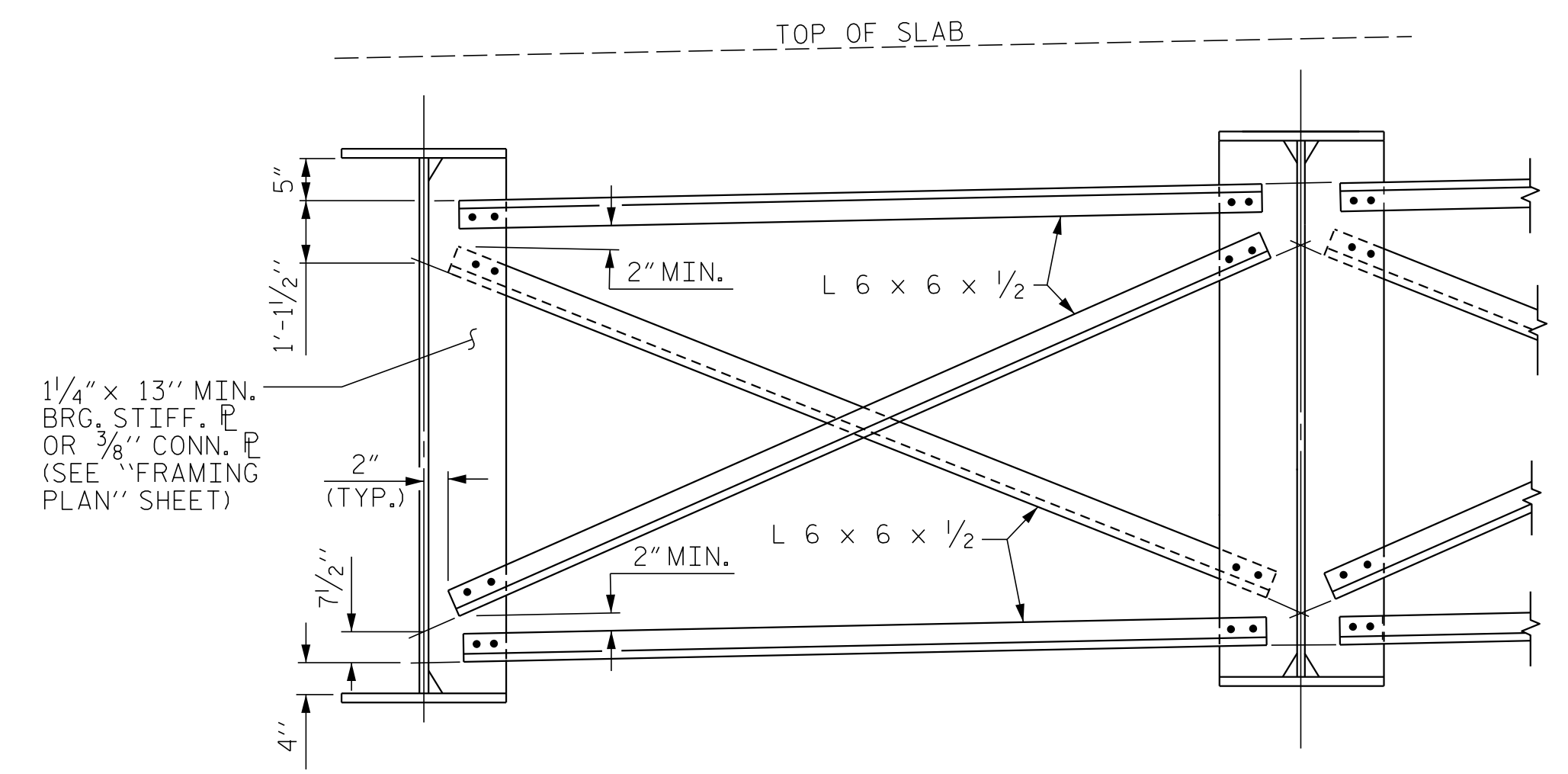
BEARING STIFFENER
(AT END BENTS)



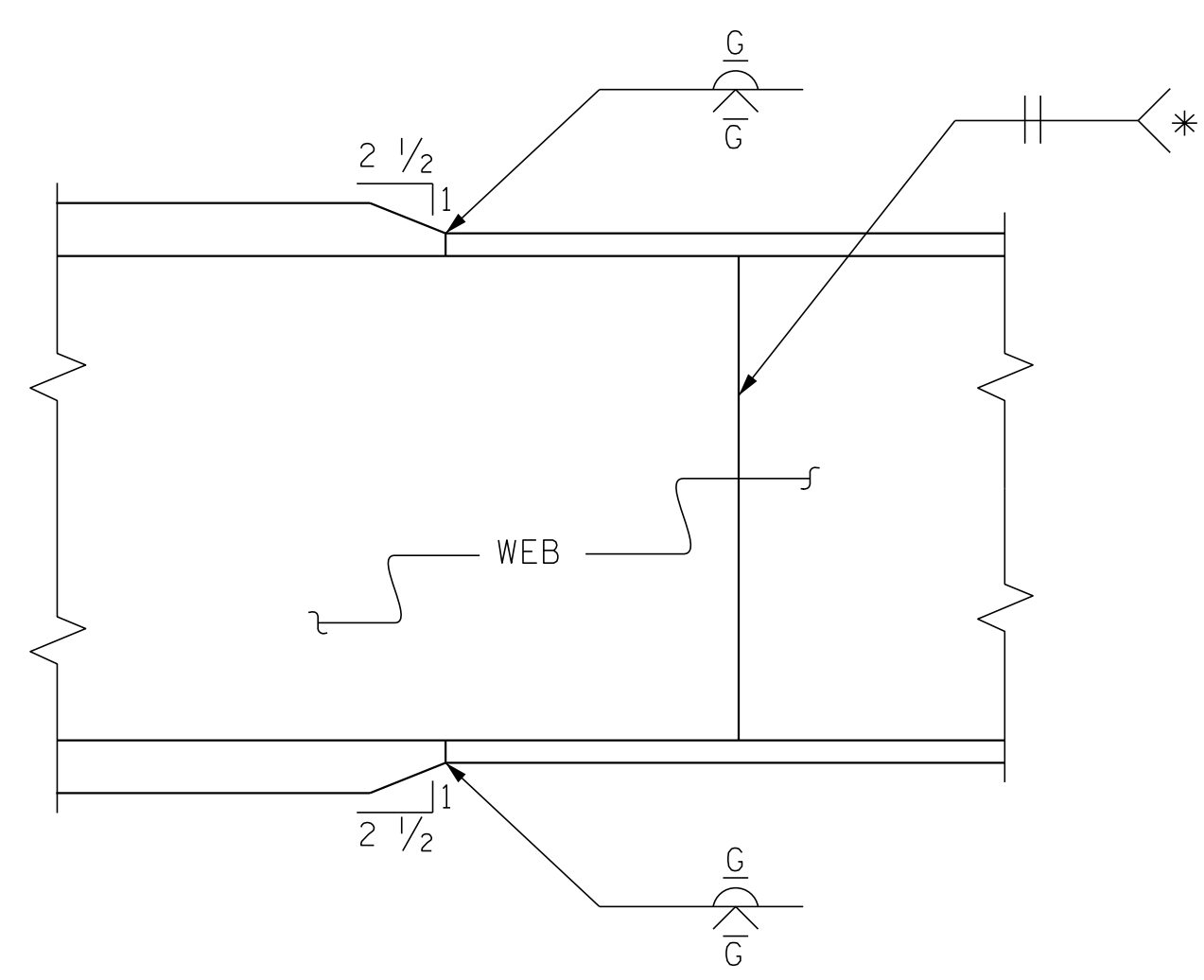
BEARING STIFFENER
(AT INTERIOR BENT)



TRANSVERSE STIFFENER

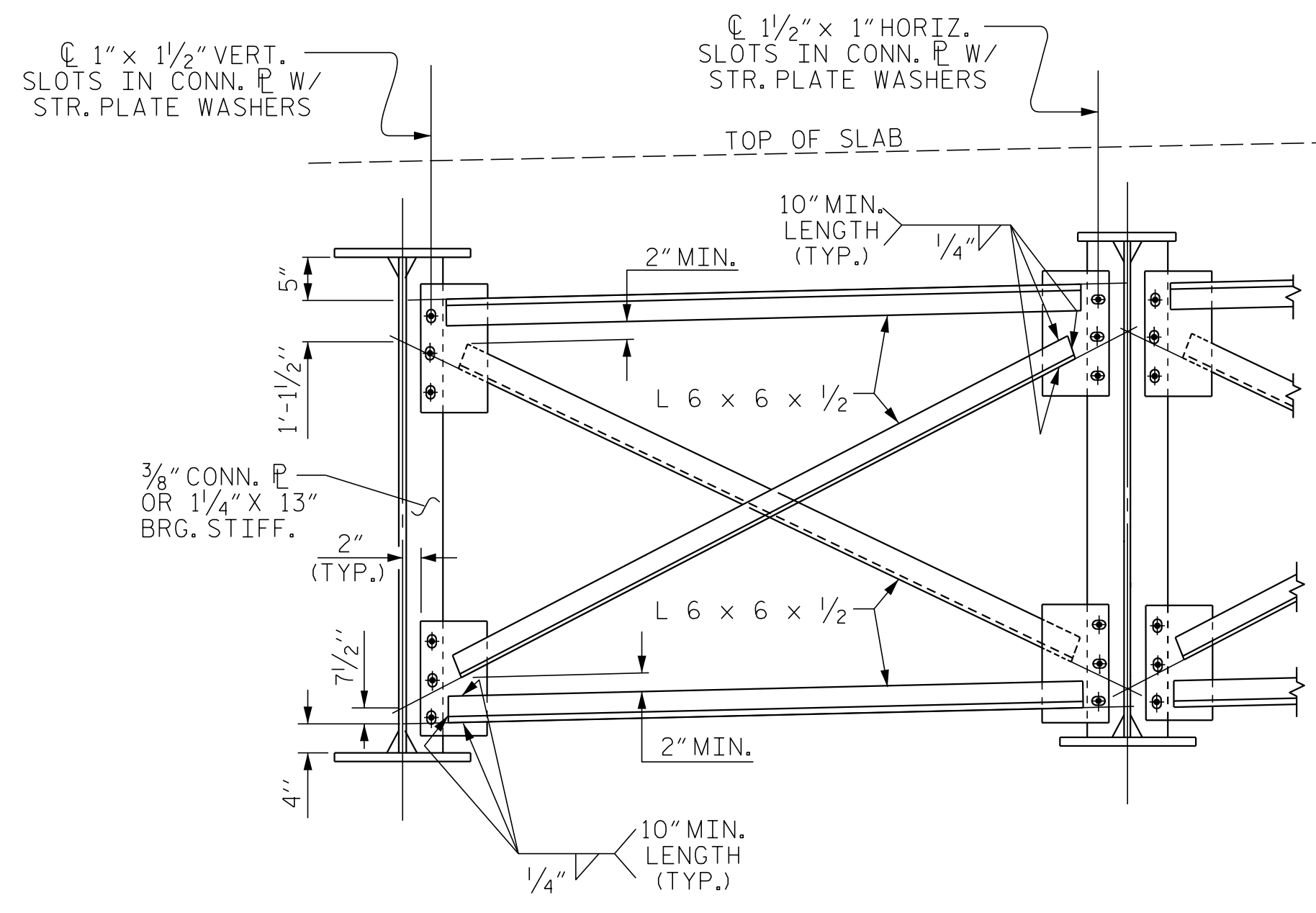


TYPICAL BENT DIAPHRAGM (D2) AND (D6)
(IN BAYS 1-5 & 7-9)

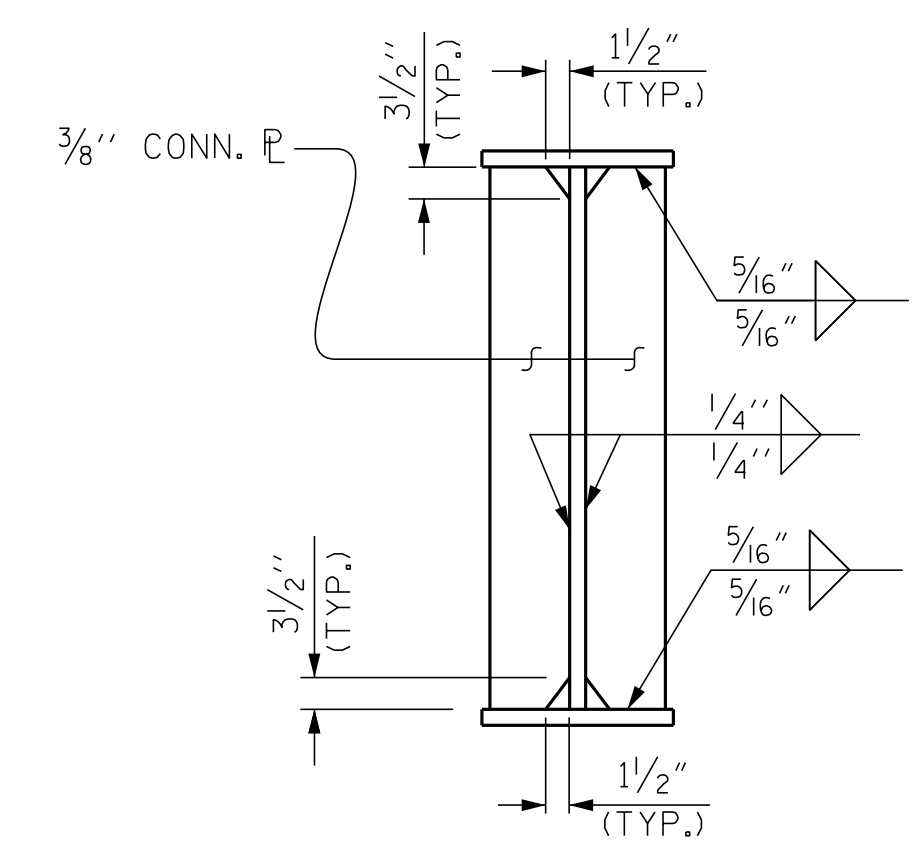


ELEVATION
TYPICAL FLANGE AND WEB BUTT JOINT

* GRIND SMOOTH AND FLUSH ON OUTER FACE OF EXTERIOR GIRDERS

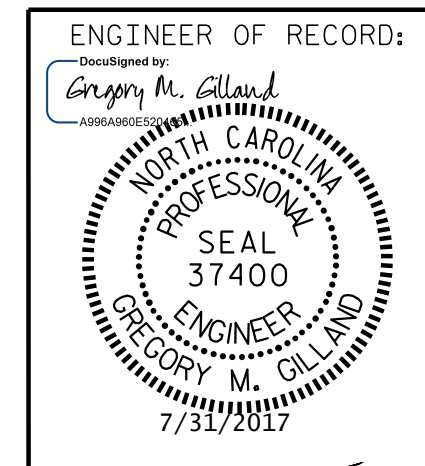


INTERMEDIATE AND BENT DIAPHRAGM
IN CLOSURE POUR BAY (D3) AND (D4)



CONNECTOR PLATE

PROJECT NO. I-5506
WAKE COUNTY
STATION: 50+61.09 -L-
SHEET 2 OF 4



STATE OF NORTH CAROLINA
DEPARTMENT OF TRANSPORTATION
RALEIGH
SUPERSTRUCTURE
STRUCTURAL STEEL
DETAILS

REVISIONS						SHEET NO.
NO.	BY:	DATE:	NO.	BY:	DATE:	S01-17
1			3			TOTAL SHEETS
2			4			46

DOCUMENT NOT CONSIDERED FINAL
UNLESS ALL SIGNATURES COMPLETED

1223 Jones Franklin Rd.
Raleigh, N.C. 27606
Bus: 919 851 8077
Fax: 919 851 8107
LICENSE NO. F-0377

\$FILE\$ \$DATE\$ \$TIME\$

DRAWN BY: D. HODGE DATE: 8/16
CHECKED BY: B.C. HUNT DATE: 10/16