

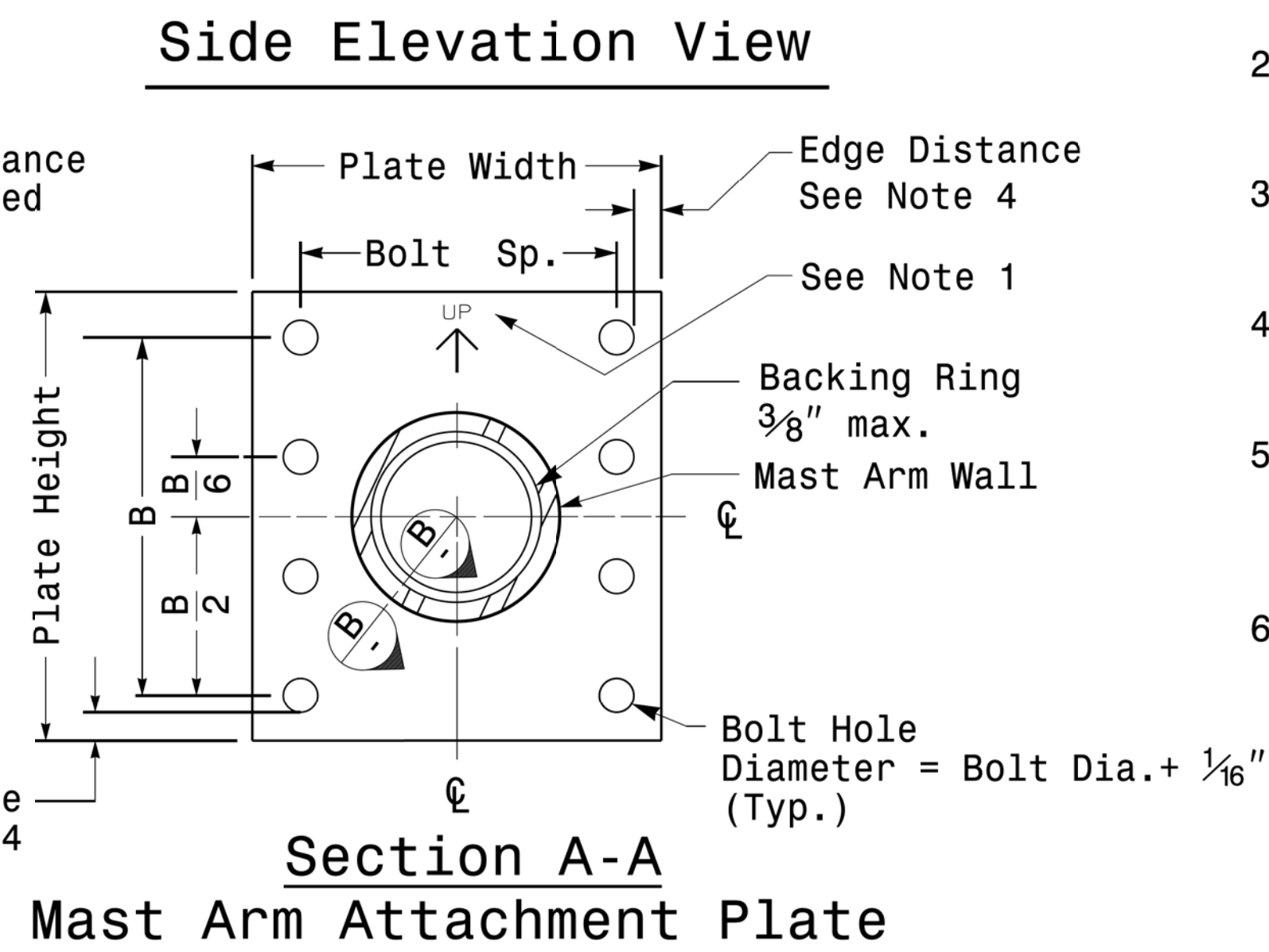
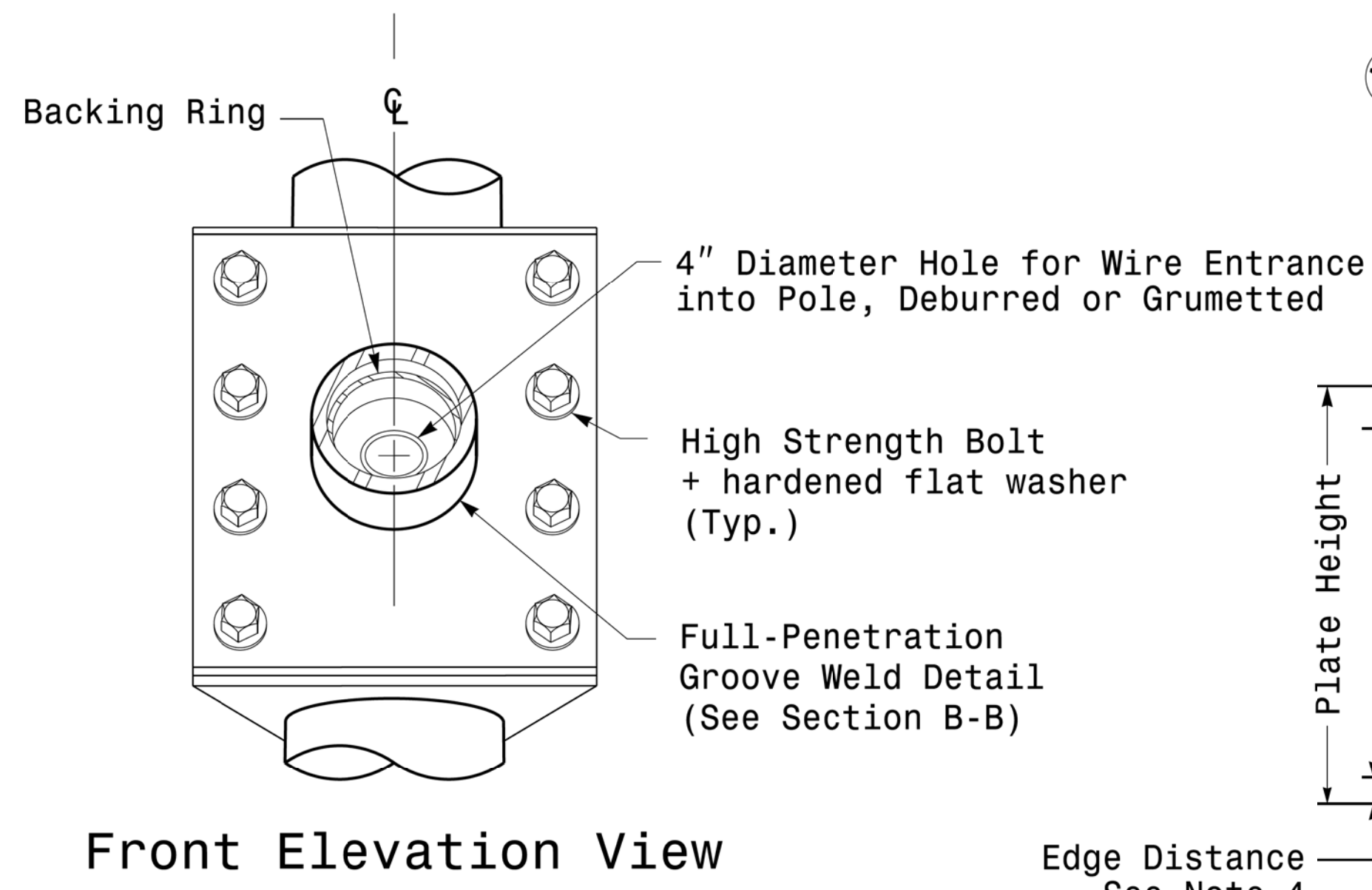
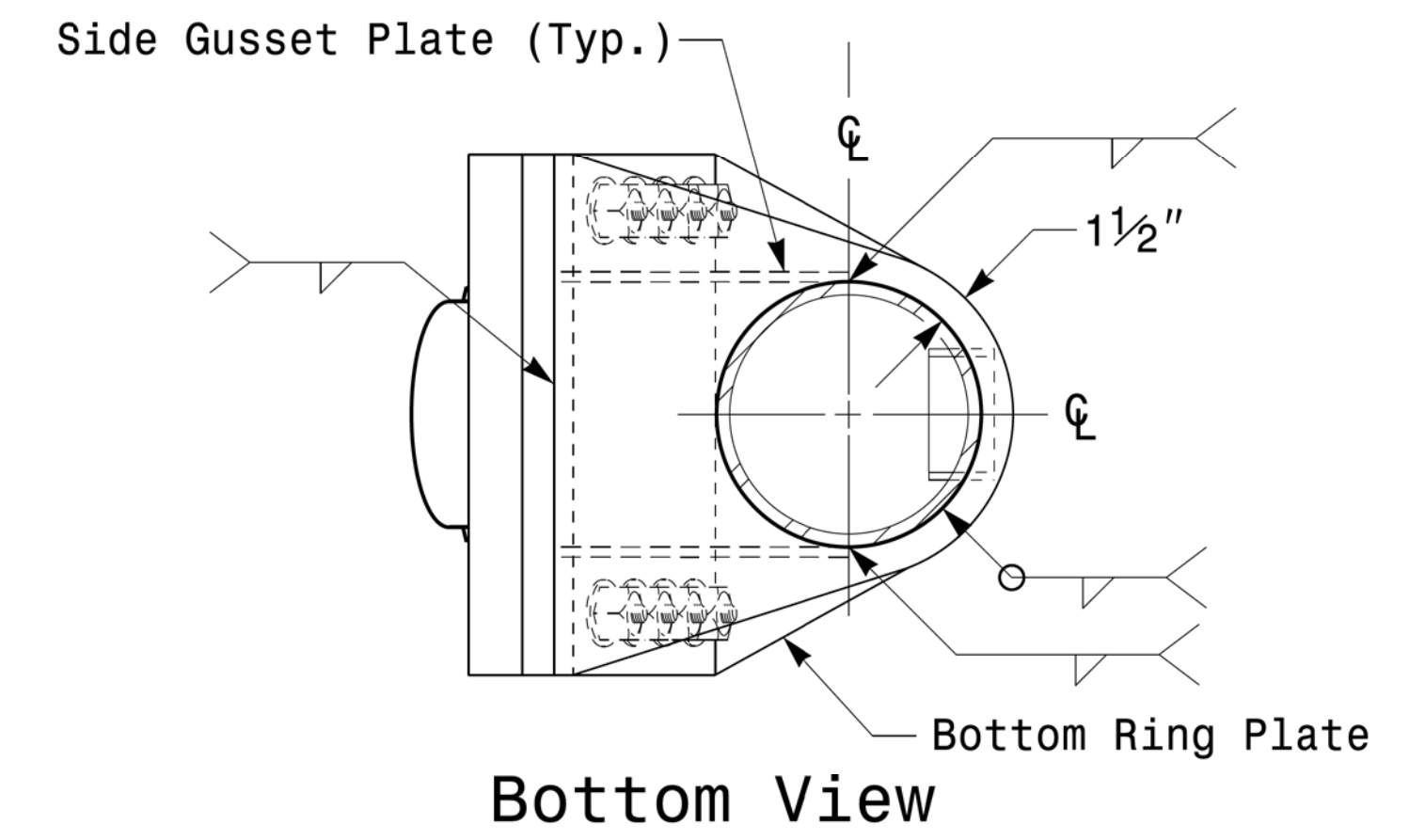
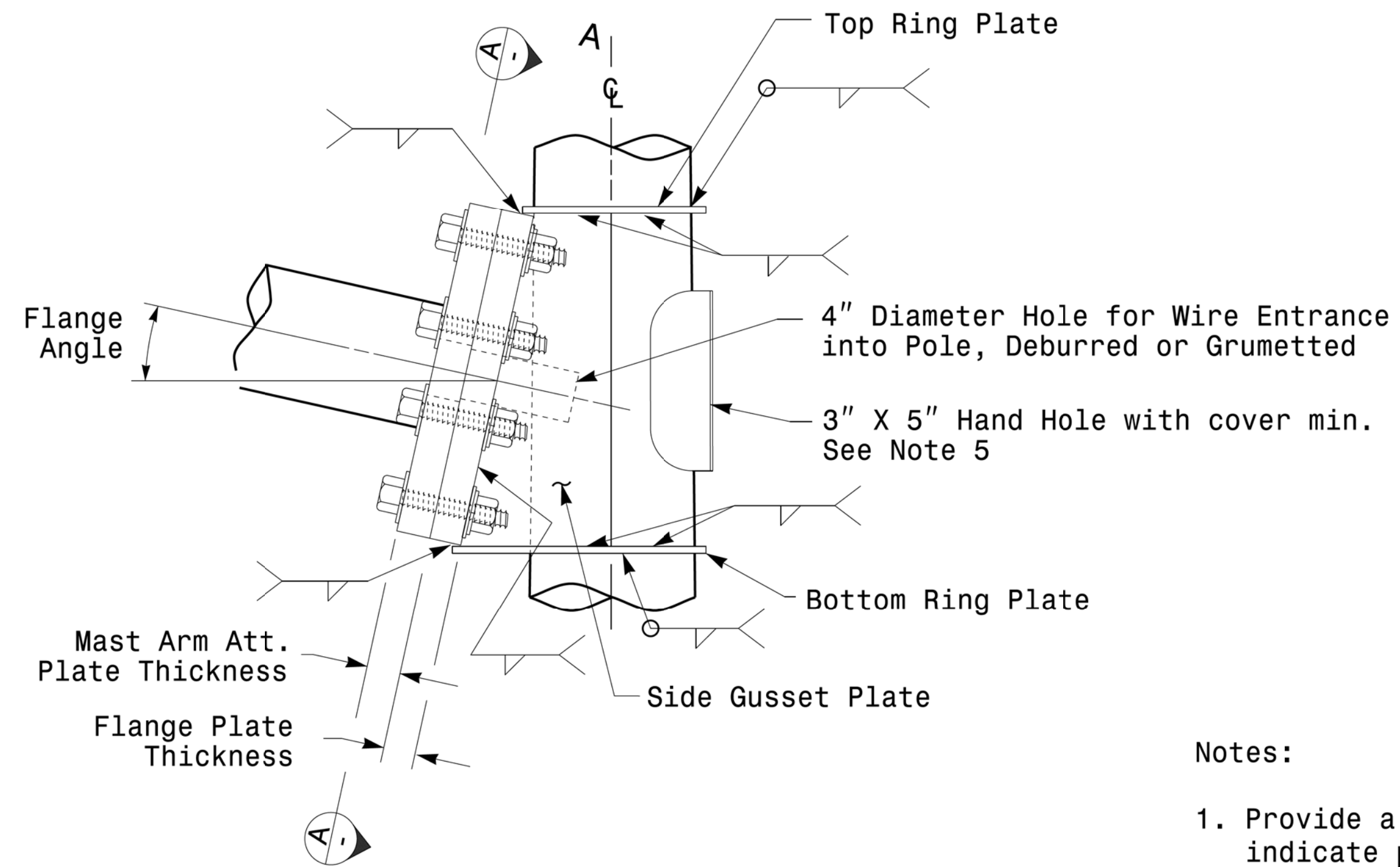
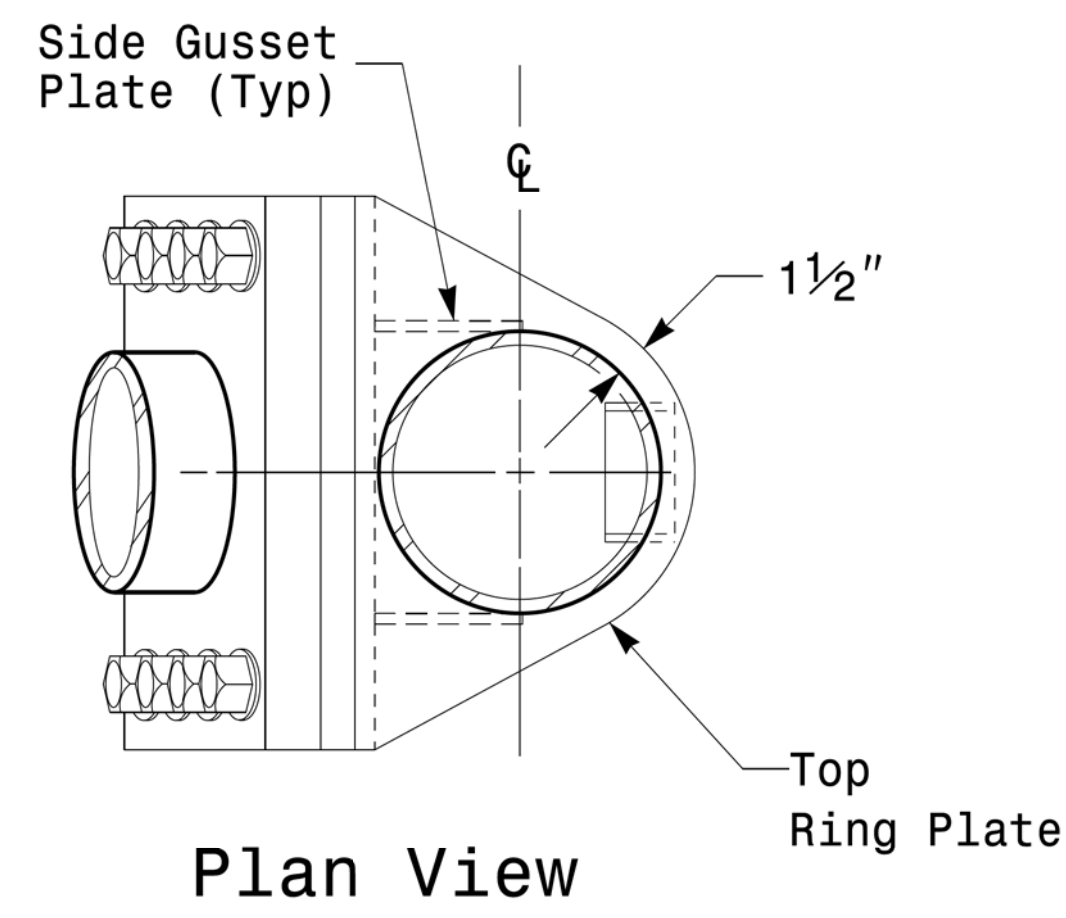
Welded Ring Stiffened Mast Arm Connection

PROJECT ID. NO.

SHEET NO.

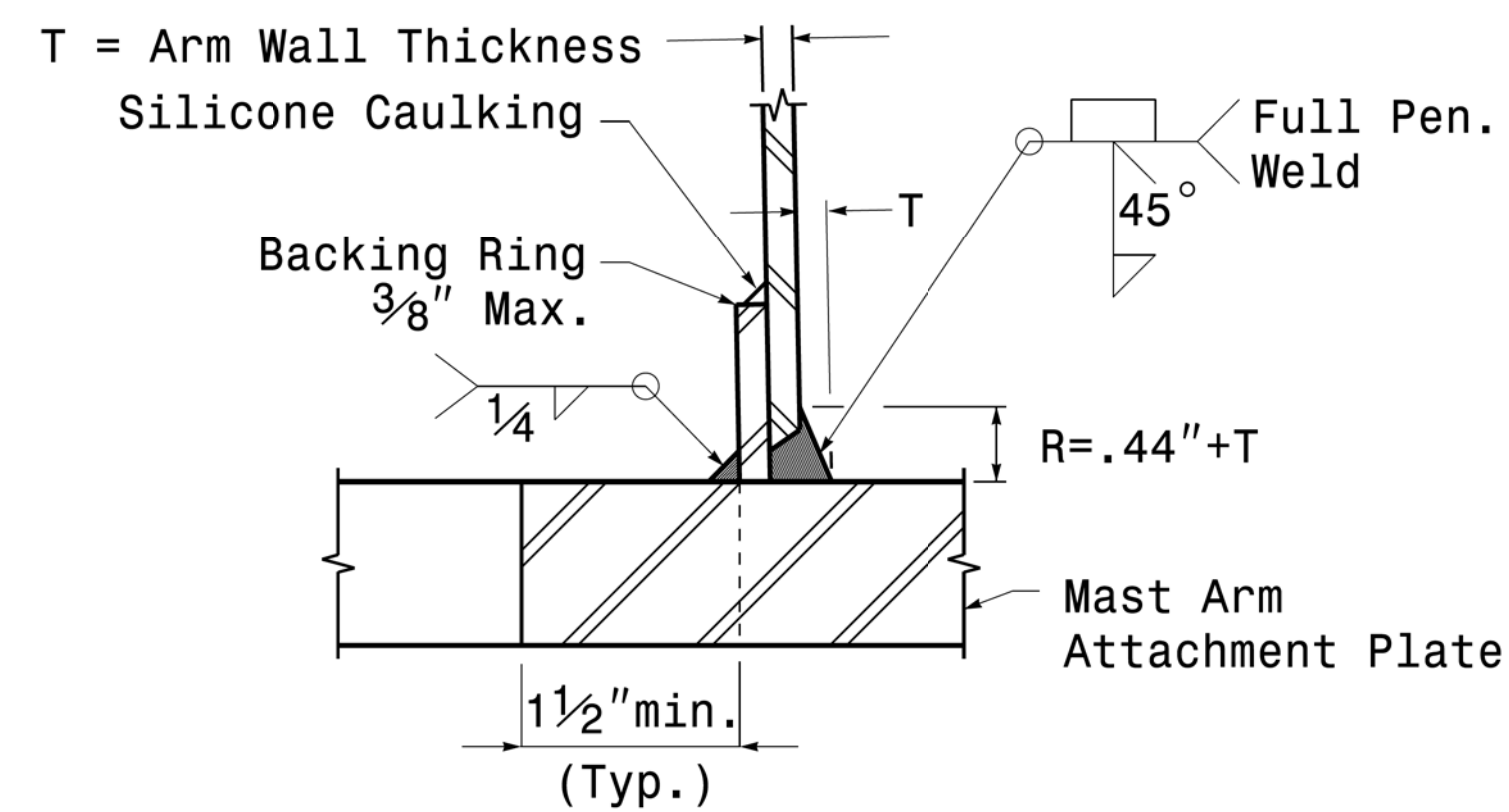
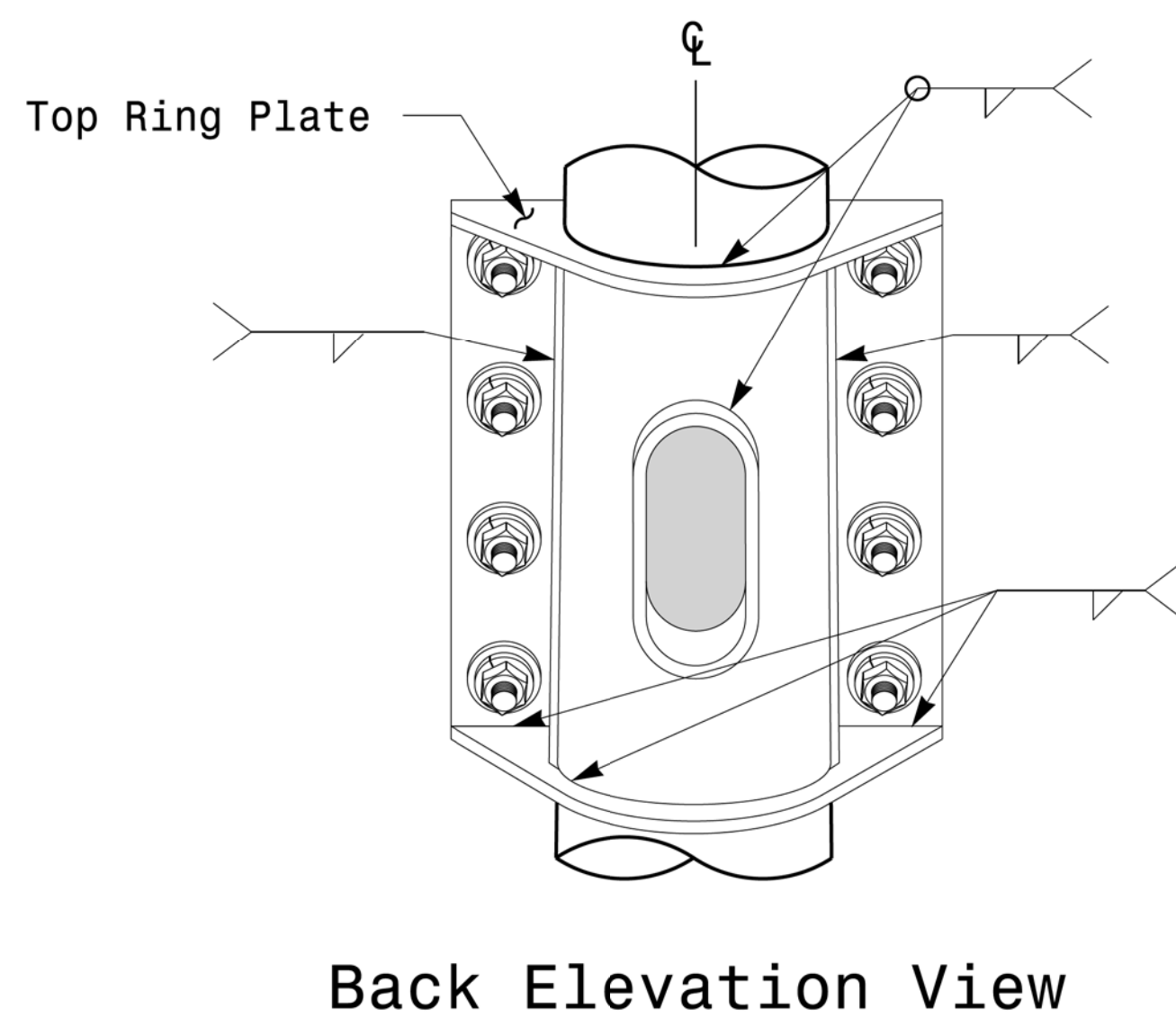
I-5506

Sig.M5



Notes:

1. Provide a permanent means of identification above the mast arm to indicate proper attachment orientation of the mast arm.
2. Designer will determine the size of all structural components, plates, fasteners, and welds shown unless they are already specified.
3. Fabricator is responsible for providing appropriate holes at drainage points to drain galvanizing materials.
4. For minimum edge distance follow AISC Table J3.4 and J3.5. For nominal bolt hole size use Table J3.3.
5. Provide upper handhole as necessary when shaft extensions are required for luminaire arms or camera. For poles without luminaires/camera, wiring can be done through the top of pole.
6. Allowable range of flange tilt angle will vary from 0° to as required.



Prepared in the Offices of:

TRANSPORTATION MOBILITY AND SAFETY DIVISION
DEPARTMENT OF TRANSPORTATION
Signal Design Section

750 N. Greenfield Pkwy, Garner, NC 27529

Typical Fabrication Details For Mast Arm Connection To Pole

PLAN DATE: OCTOBER 2017 DESIGNED BY: C.F. ANDREWS
PREPARED BY: N. BITTING REVIEWED BY: D.C. SARKAR

SCALE
0 NA
NONE



DocuSigned by:
Dinesh C. Sarkar

10/11/2017
DATE

Fabrication Details - Mast Arm Connection

11-OCT-2017 08:35
S:\1356\115 Signal\sig.dgn Design Section\Eastern Region\MT Sheets\2016\2014 Sig_M5 Std. Connection Fabricator Detail\sig-mast-arm-poles.dgn
C:\Users\jgarcia