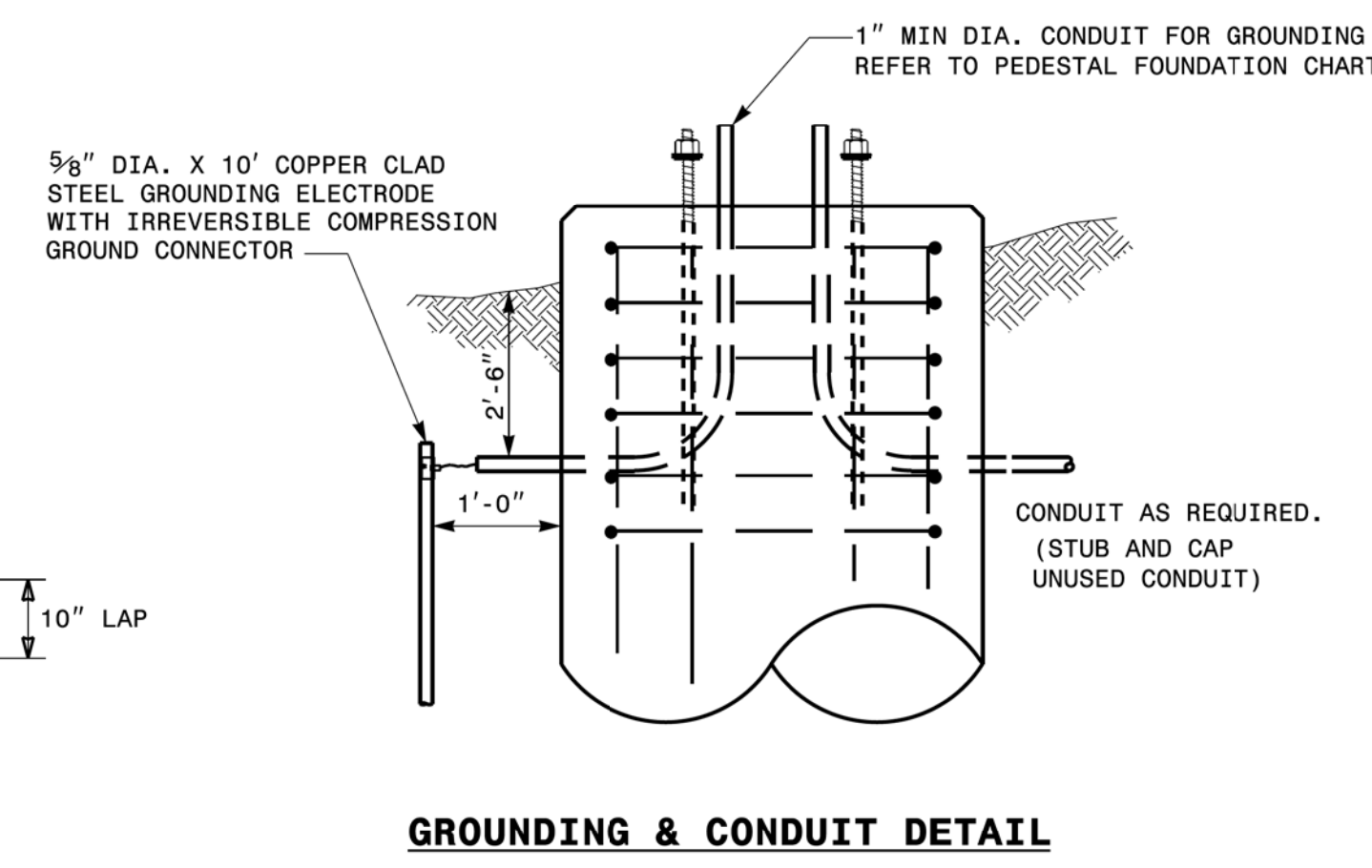
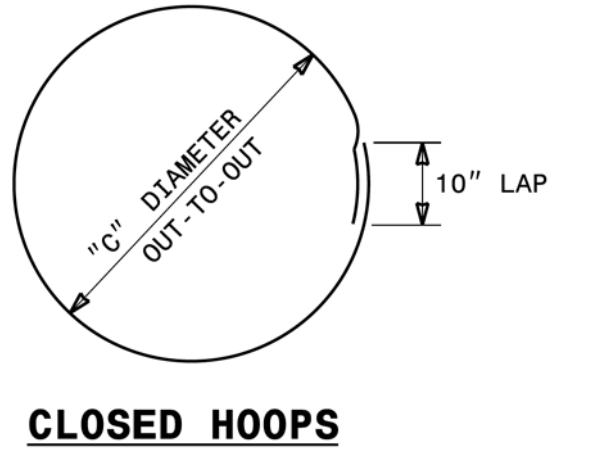
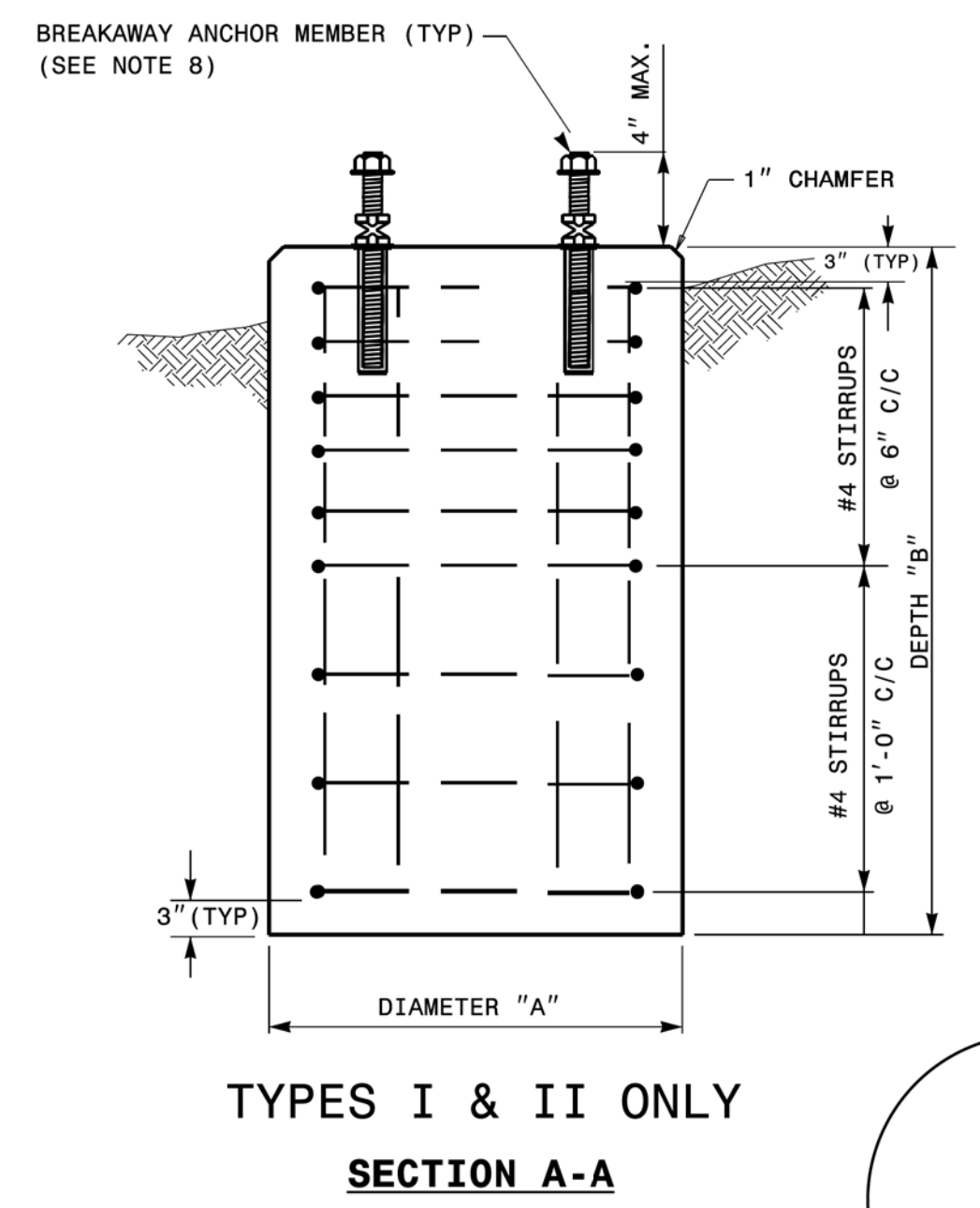
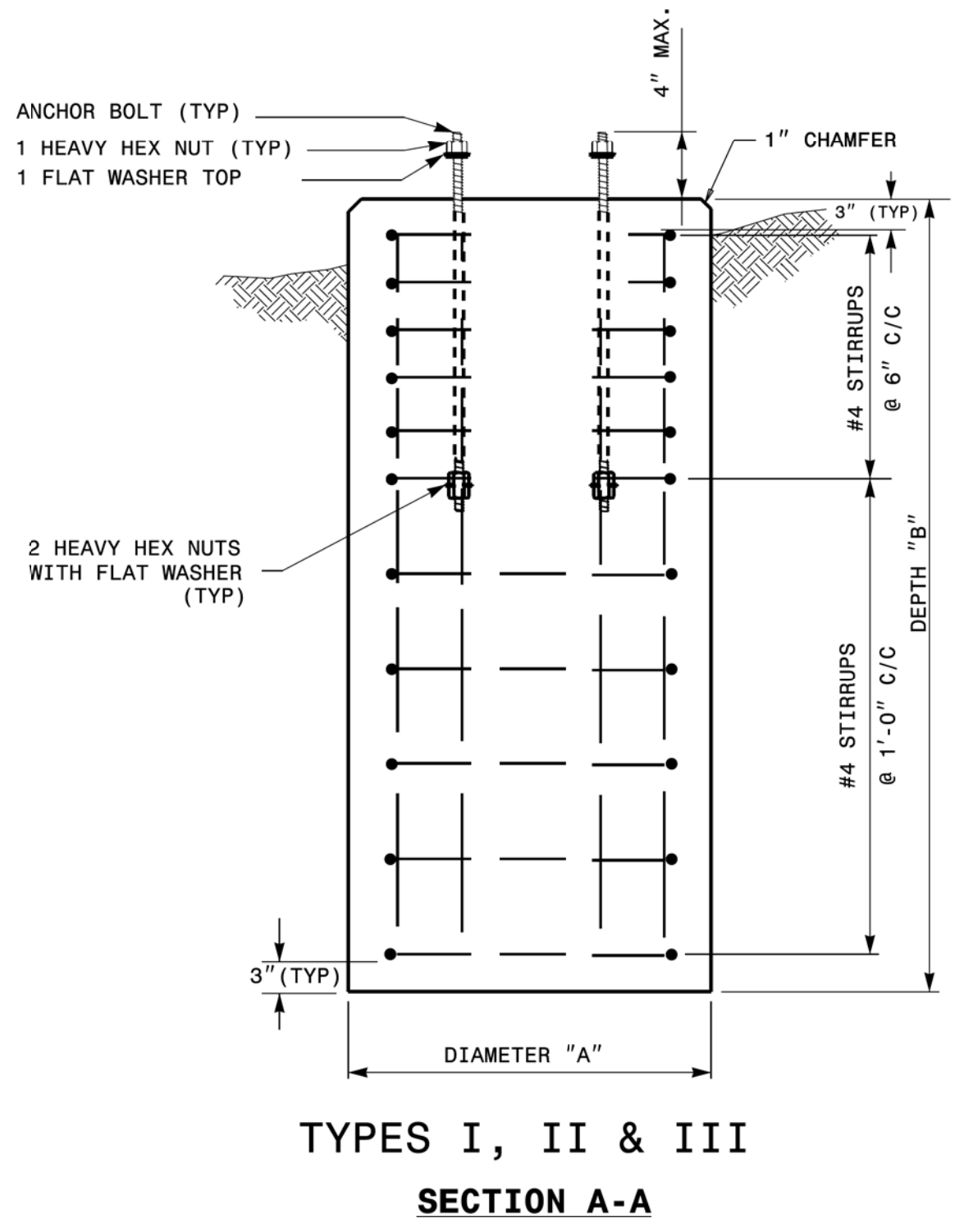


- NOTES:**
- CAST FOUNDATION AGAINST UNDISTURBED SOIL WHEREVER CONDITIONS PERMIT. IN UNSTABLE SOIL, CAST-IN-PLACE TUBE FORMS ARE ALLOWED WITH APPROVAL.
  - COMPLY WITH APPLICABLE PROVISIONS OF SECTION 825 FOR CONCRETE CONSTRUCTION.
  - USE CLASS "A" CONCRETE THAT MEETS THE REQUIREMENTS OF SECTION 1000 WITH A COMPRESSION STRENGTH AT 28 DAYS OF  $F'c = 3000$  PSI (MIN.).
  - USE ASTM GRADE 60 DEFORMED BARS FOR ALL REINFORCING STEEL.
  - GRADE IS ASSUMED TO BE (8H:1V) OR FLATTER. FOUNDATION SIZE AND DEPTHS ARE BASED ON THE FOLLOWING SOIL DESIGN PARAMETERS:
    - SANDY TYPE SOIL
    - NO GROUND WATER WITHIN 5'-0" OF SURFACE ELEVATION
    - WIND SPEED NOT TO EXCEED 140 MPH
 IF ACTUAL CONDITIONS VARY SUBSTANTIALLY FROM THOSE ASSUMED, THE FOUNDATION DEPTH MAY BE ADJUSTED. IN THIS CASE, CONTACT THE ENGINEER.
  - MAINTAIN AT LEAST 3" COVER ON ALL REINFORCEMENT.
  - ORIENT CONDUIT AS REQUIRED BY THE DESIGN OR AS DICTATED BY FIELD CONDITIONS.
  - USE ADHESIVE ANCHOR FOR THREADED COUPLING INSERT. FOR TYPE I MINIMUM DEPTH NECESSARY IS 0'-4 1/2" AND FOR TYPE II MINIMUM DEPTH NECESSARY IS 0'-6 5/8". FOLLOW MANUFACTURER'S INSTALLATION INSTRUCTIONS.



PEDESTAL FOUNDATION TYPE AND SIZE							
TYPE	PEDESTAL DESCRIPTION	SIZE			ANCHOR BOLT		INSTALL GROUNDING SYSTEM (YES/NO)
		DIAMETER "A" FT	DEPTH "B" FT	CONCRETE VOLUME CY	DIAMETER (MIN.) IN	LENGTH FT-IN	
I	PEDESTRIAN PUSHBUTTON	2'-0"	3'-6"	.41	1/2	1'-6"	NO
II	NORMAL-DUTY	2'-0"	5'-0"	.58	3/4	2'-0"	YES
III	HEAVY-DUTY	2'-6"	7'-0"	1.27	1	4'-0"	YES

REINFORCING STEEL SCHEDULE													
TYPE	V-BAR				STIRRUP								
	SIZE #	QTY	LENGTH	WEIGHT LBS	QUANTITY			LENGTH	DIAMETER "C" FT	OVERLAP MIN.	WEIGHT LBS	TOTAL STEEL WEIGHT LBS	
					ON 6" CENTERS	ON 12" CENTERS	TOTAL						
I	8	6	3'-0"	56	4	4	4	5'-7"	1'-6"	0'-10"	15	71	
II	8	6	4'-6"	86	4	5	3	8	5'-7"	1'-6"	0'-10"	30	116
III	8	6	6'-6"	122	4	7	4	11	7'-2"	2'-0"	0'-10"	53	175

STATE OF NORTH CAROLINA  
 DEPT. OF TRANSPORTATION  
 DIVISION OF HIGHWAYS  
 RALEIGH, N.C.

ENGLISH STANDARD DRAWING FOR  
**PEDESTALS**  
 FOUNDATIONS

SHEET 1 OF 1  
**1743D01**

11-0CT-2017 09:03  
 I:\2018 STD Drawings\Plate Sheets\2018\_Plate Sheet - dgn  
 r:\rough

DOCUMENT NOT CONSIDERED  
FINAL UNLESS ALL  
SIGNATURES COMPLETED

See Plate for Title

