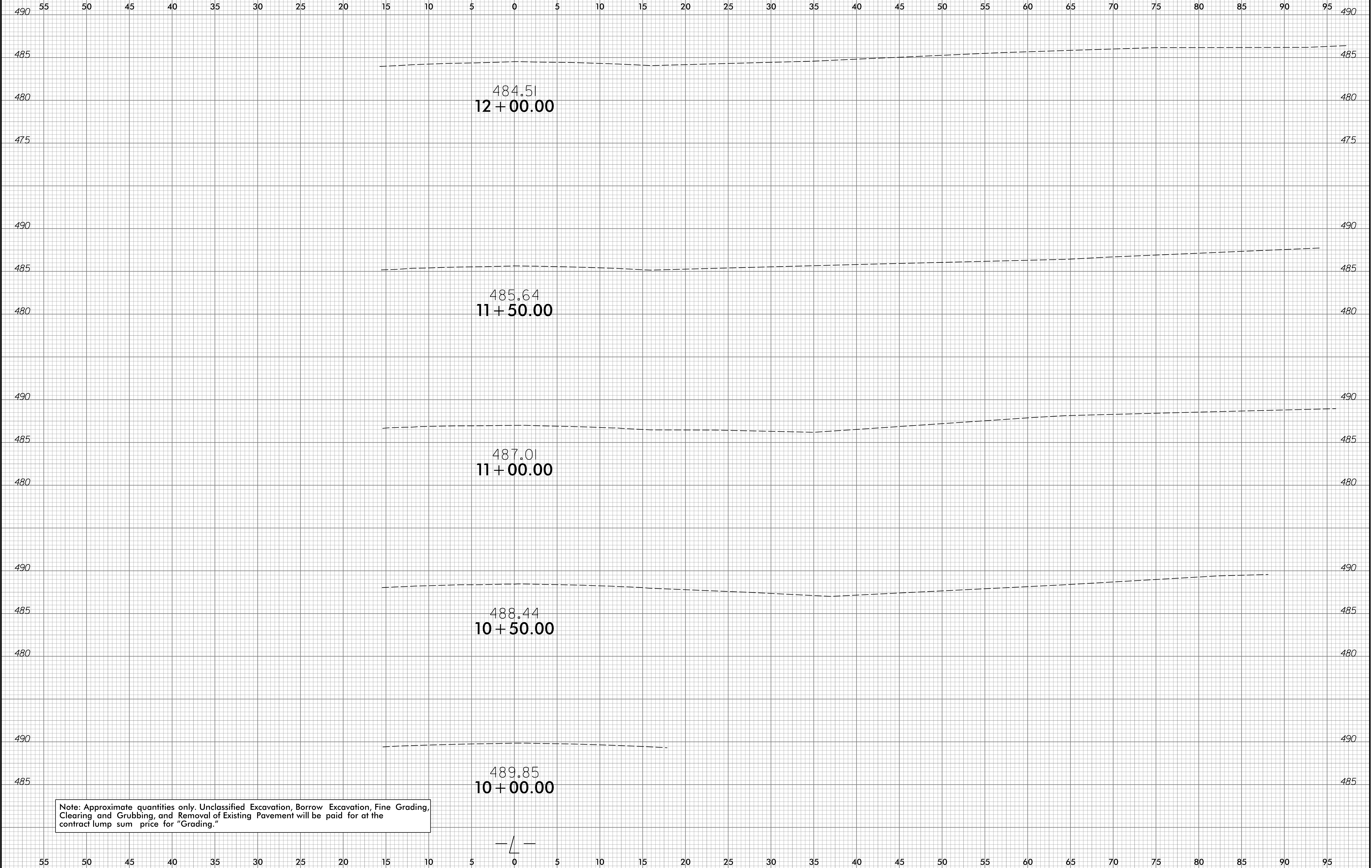


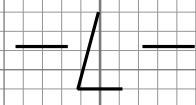
**This electronic collection of documents is provided
for the convenience of the user
and is Not a Certified Document –**

**The documents contained herein were originally issued
and sealed by the individuals whose names and license
numbers appear on each page, on the dates appearing
with their signature on that page.**

**This file or an individual page
shall not be considered a certified document.**



Note: Approximate quantities only. Unclassified Excavation, Borrow Excavation, Fine Grading, Clearing and Grubbing, and Removal of Existing Pavement will be paid for at the contract lump sum price for "Grading."



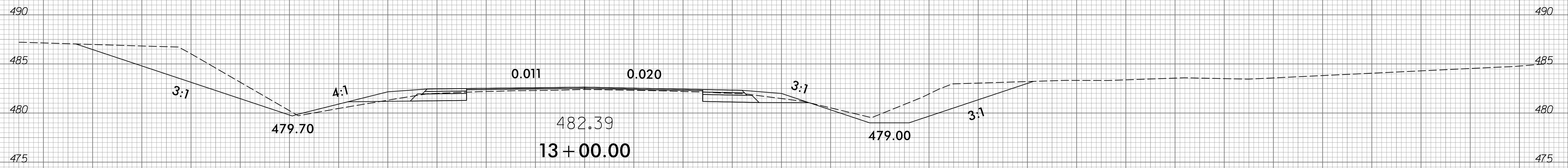
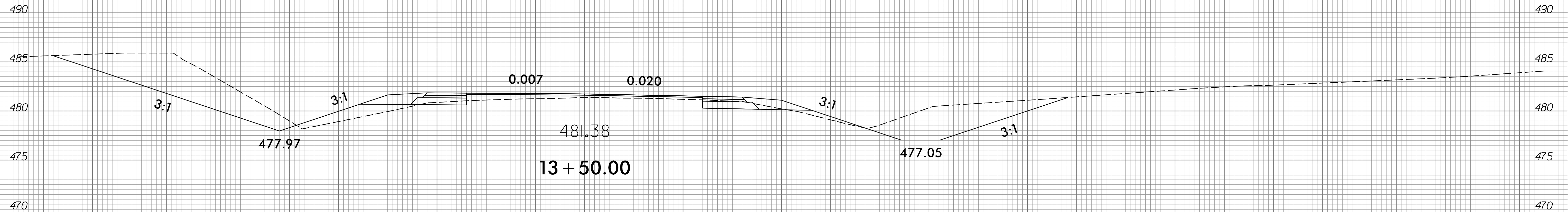
6/23/16



PROJ. REFERENCE NO.
B-5371

SHEET NO.
X-2

55 50 45 40 35 30 25 20 15 10 5 0 5 10 15 20 25 30 35 40 45 50 55 60 65 70 75 80 85 90 95



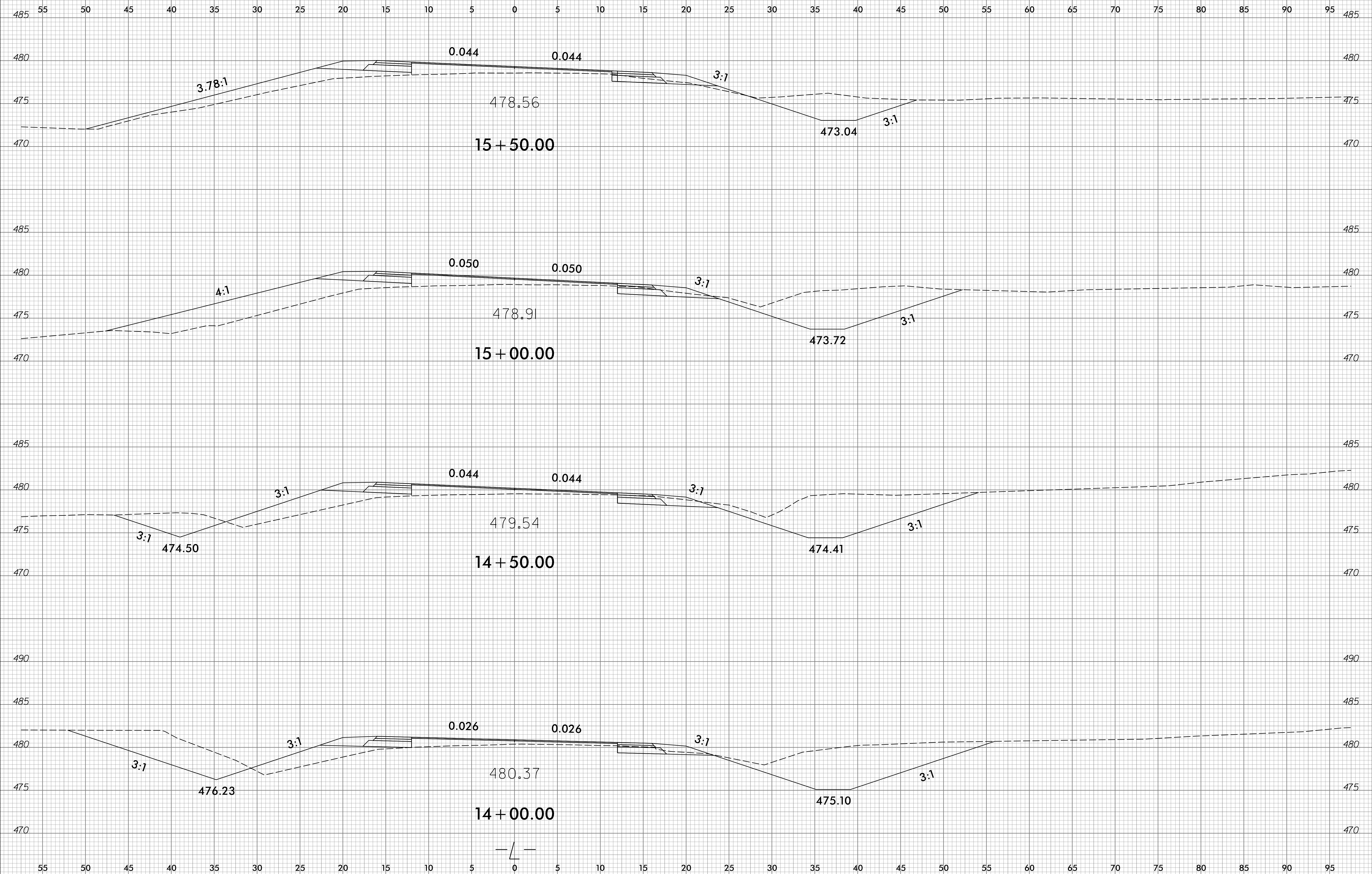
55 50 45 40 35 30 25 20 15 10 5 0 5 10 15 20 25 30 35 40 45 50 55 60 65 70 75 80 85 90 95

2/4/2017
G:\FA\8522-04\CAD\B5371\Roadway\Corridor Model\ing\B5371_rdy_xpl.dgn
chulman

6/23/16



PROJ. REFERENCE NO.	SHEET NO.
B-5371	X-3

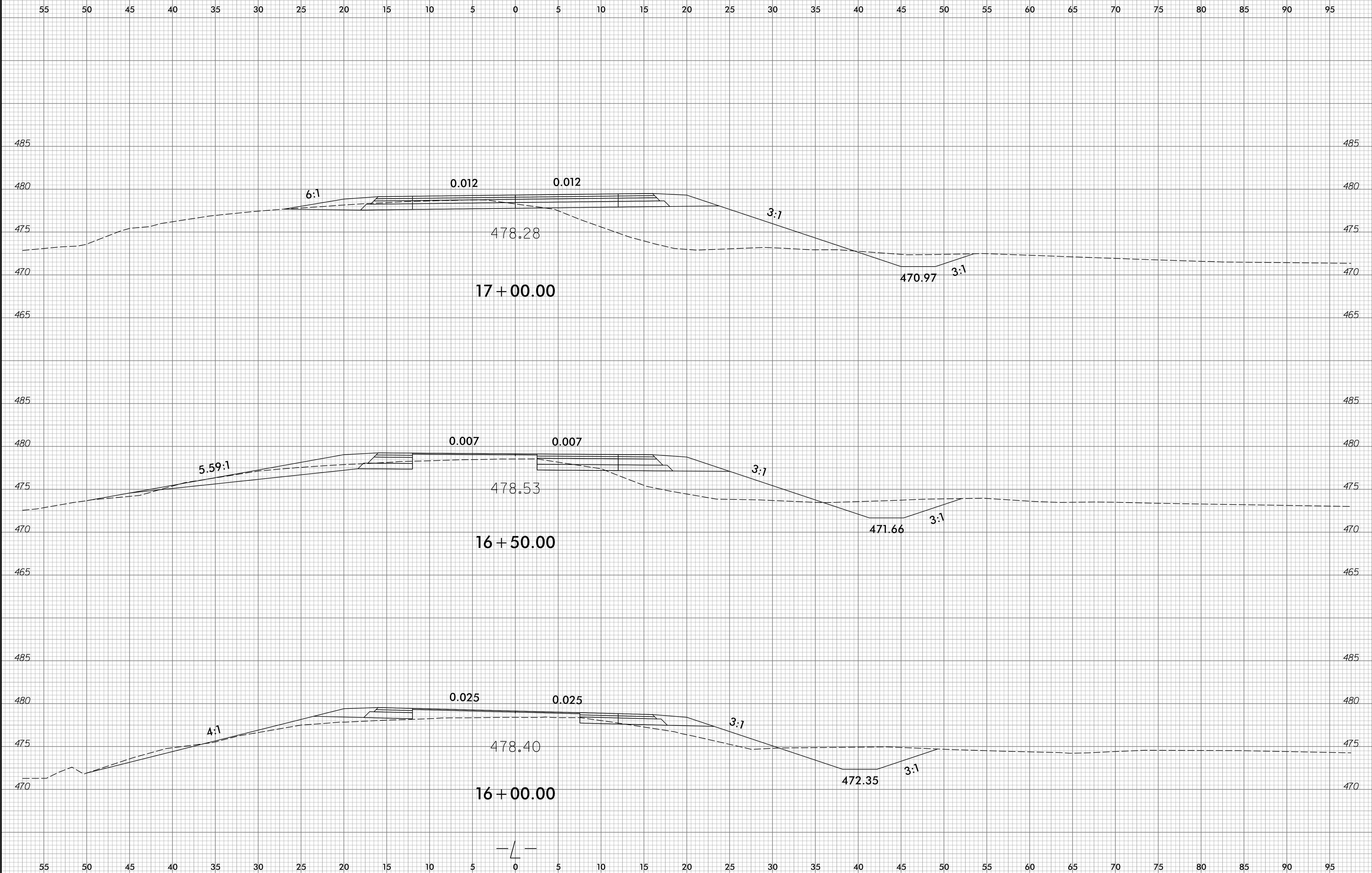


2/4/2017 9:14:18 AM G:\FA\8522-04\CADD\B5371\Roadway\Corridor\Modeling\B5371_rdy_xpl.dgn

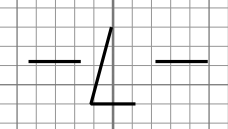
6/23/16



PROJ. REFERENCE NO.	SHEET NO.
B-5371	X-4



2/4/2017 9:14:18 AM G:\FA\8522-04\CADD\B5371\Roadway\Corridor Model\img\b5371_rdy_xpl.dgn



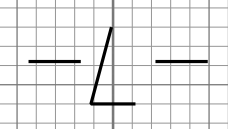
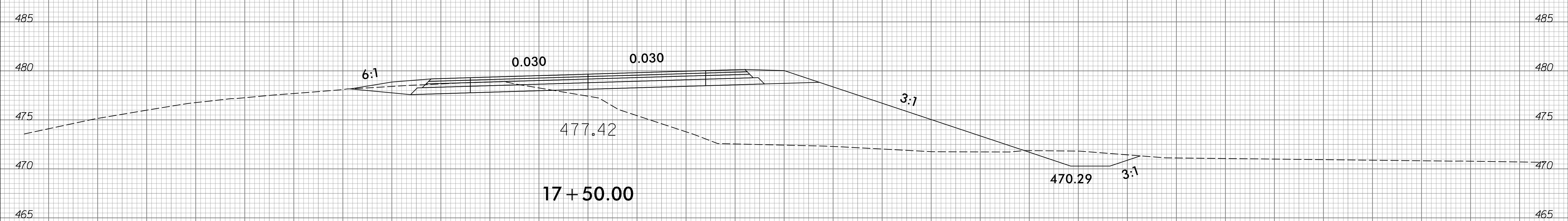
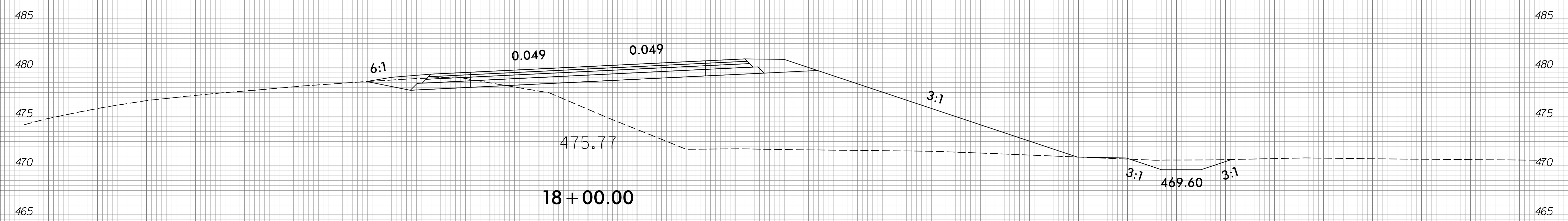
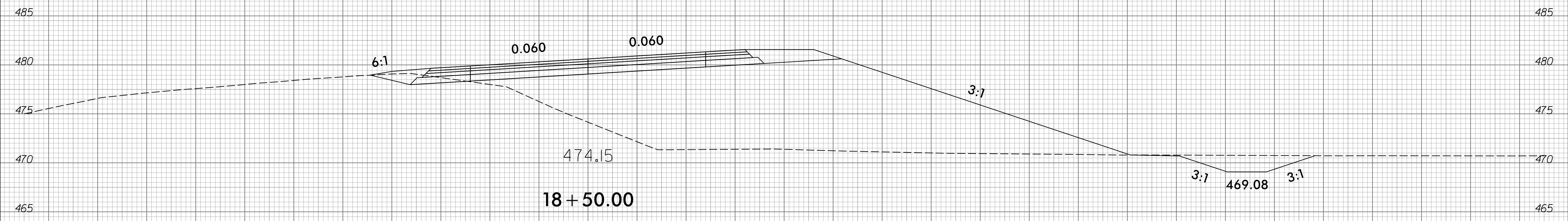
6/23/16



PROJ. REFERENCE NO.
B-5371

SHEET NO.
X-5

55 50 45 40 35 30 25 20 15 10 5 0 5 10 15 20 25 30 35 40 45 50 55 60 65 70 75 80 85 90 95



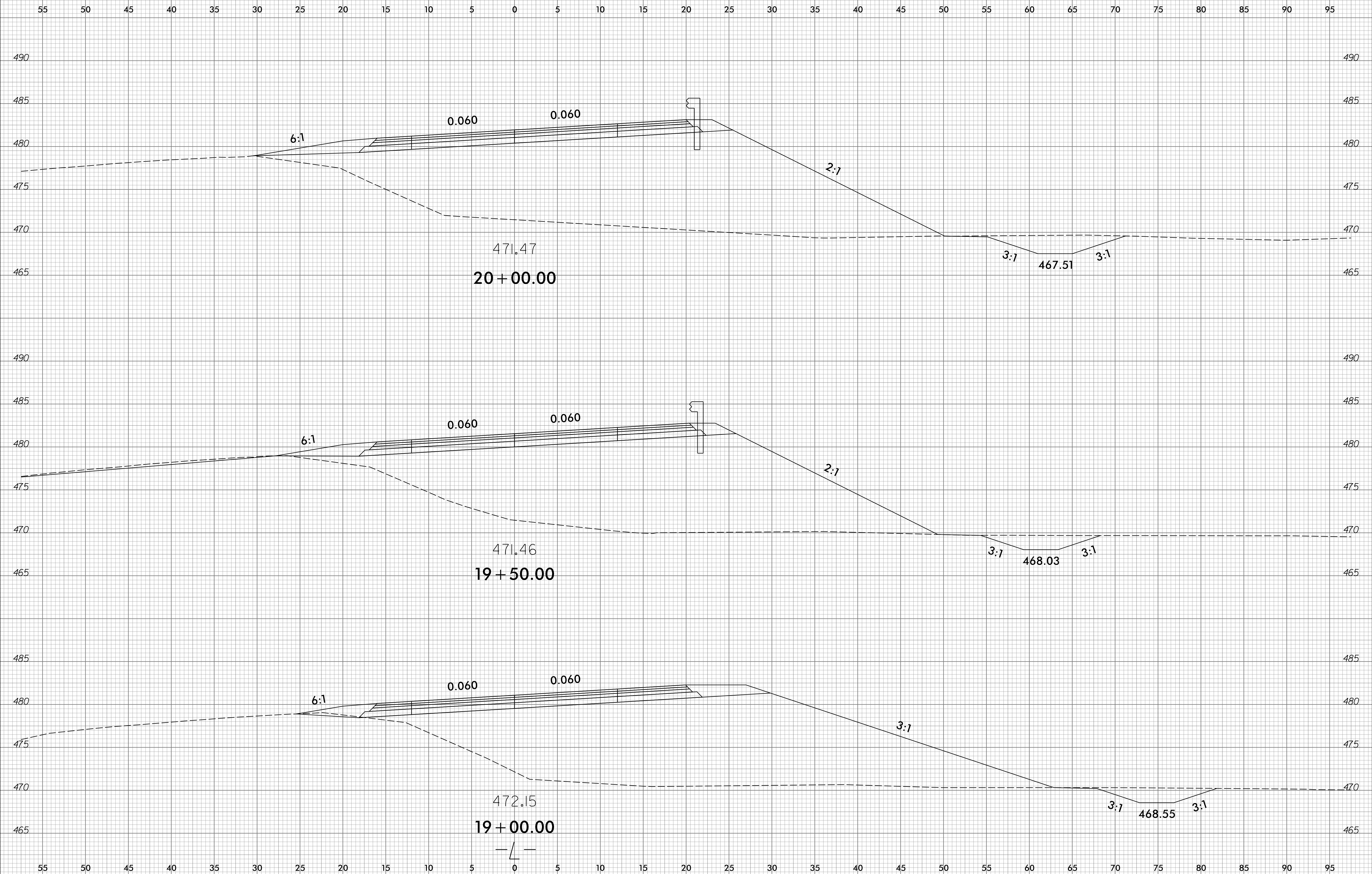
55 50 45 40 35 30 25 20 15 10 5 0 5 10 15 20 25 30 35 40 45 50 55 60 65 70 75 80 85 90 95

I:\2017\04\18522-04\CADD\B5371\Roadway\Corridor\Modeling\B5371_rdy_xpl.dgn

6/23/16



PROJ. REFERENCE NO.	SHEET NO.
B-5371	X-6



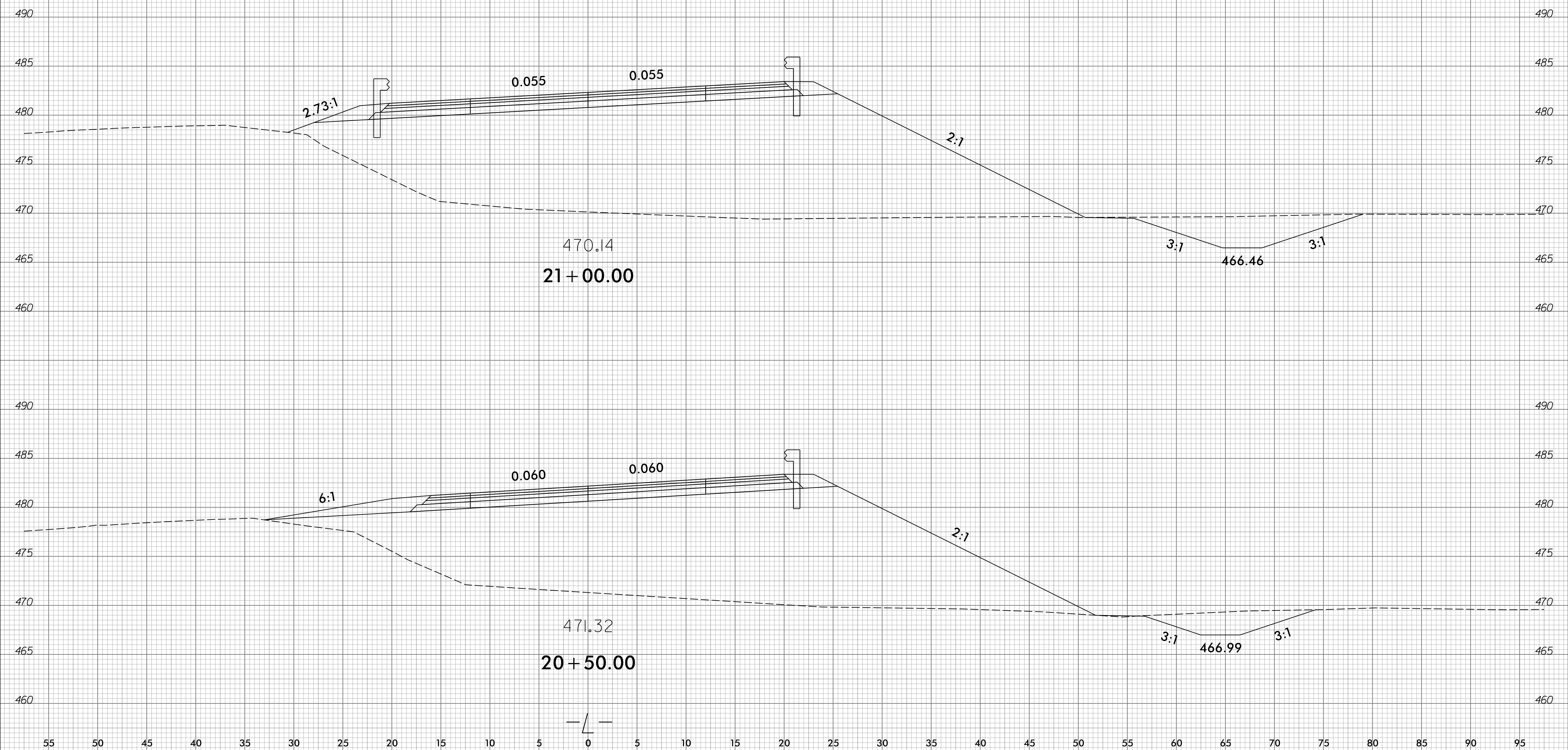
2/4/2017 9:14:58 AM G:\FA\8522-04\CAD\B5371\Roadway\Corridor Model\ing\5371_rdy_xpl.dgn

6/23/16

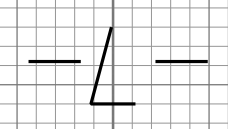


PROJ. REFERENCE NO.	SHEET NO.
B-5371	X-7

55 50 45 40 35 30 25 20 15 10 5 0 5 10 15 20 25 30 35 40 45 50 55 60 65 70 75 80 85 90 95



2/4/2017
 G:\FA\8522-04\CADD\B5371\Roadway\Corridor Model\ing\B5371_rdy_xpl.dgn
 chulman

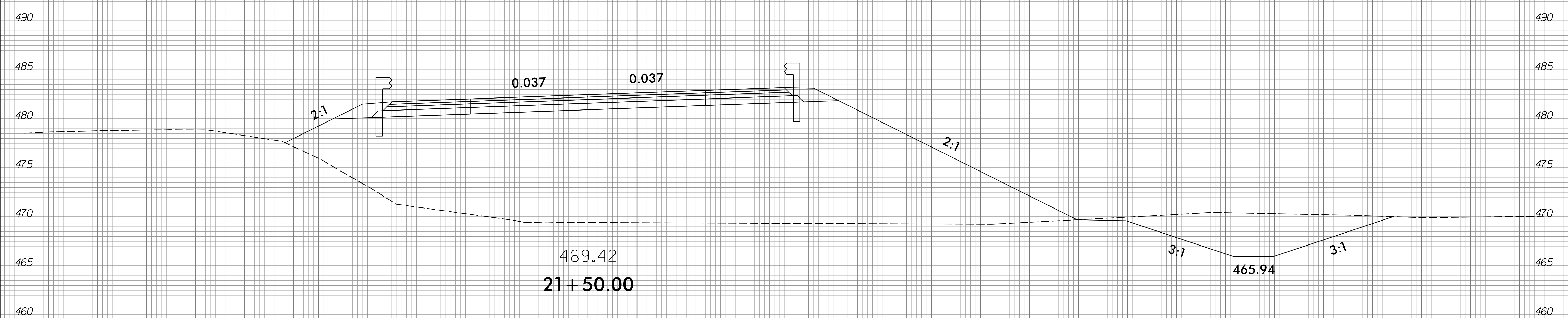
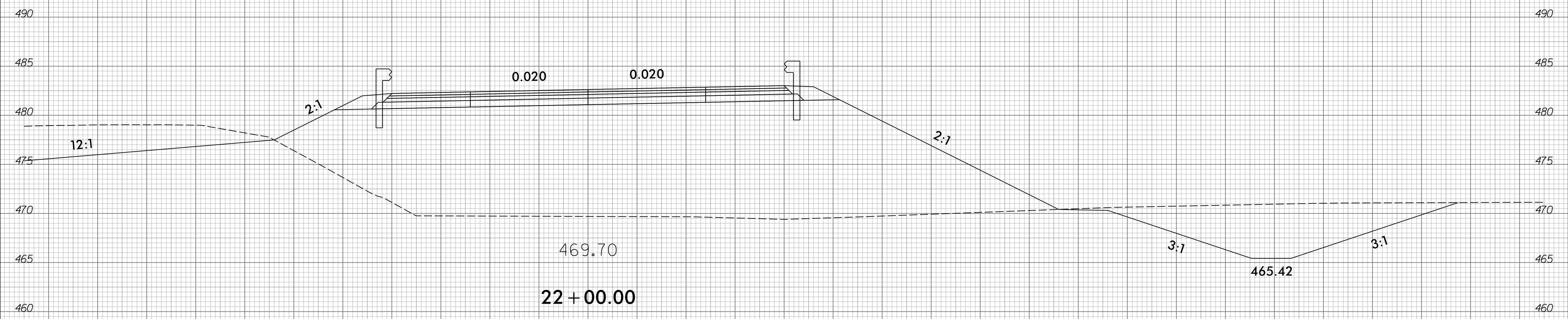


6/23/16



PROJ. REFERENCE NO.	SHEET NO.
B-5371	X-8

55 50 45 40 35 30 25 20 15 10 5 0 5 10 15 20 25 30 35 40 45 50 55 60 65 70 75 80 85 90 95



— / —

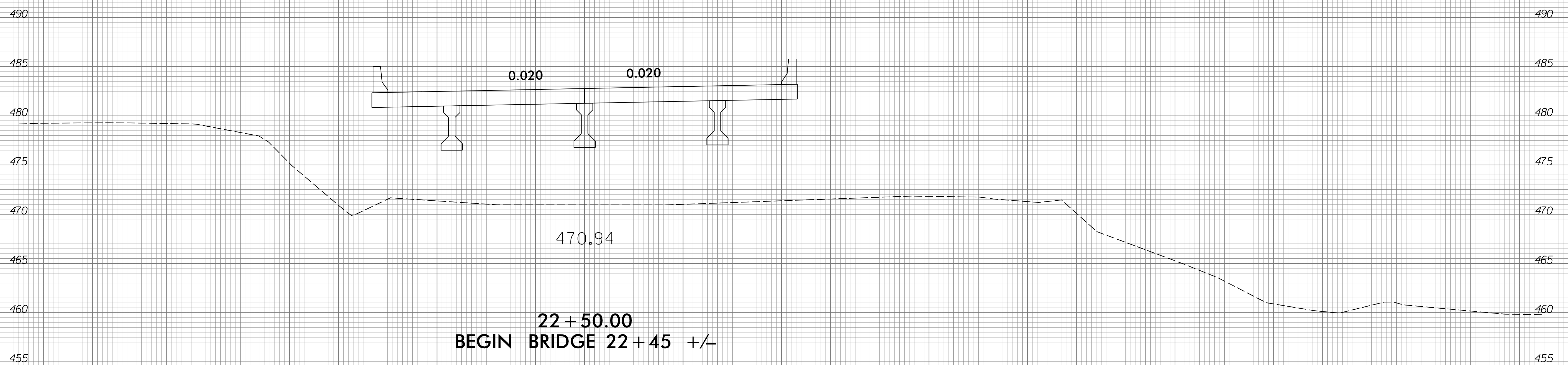
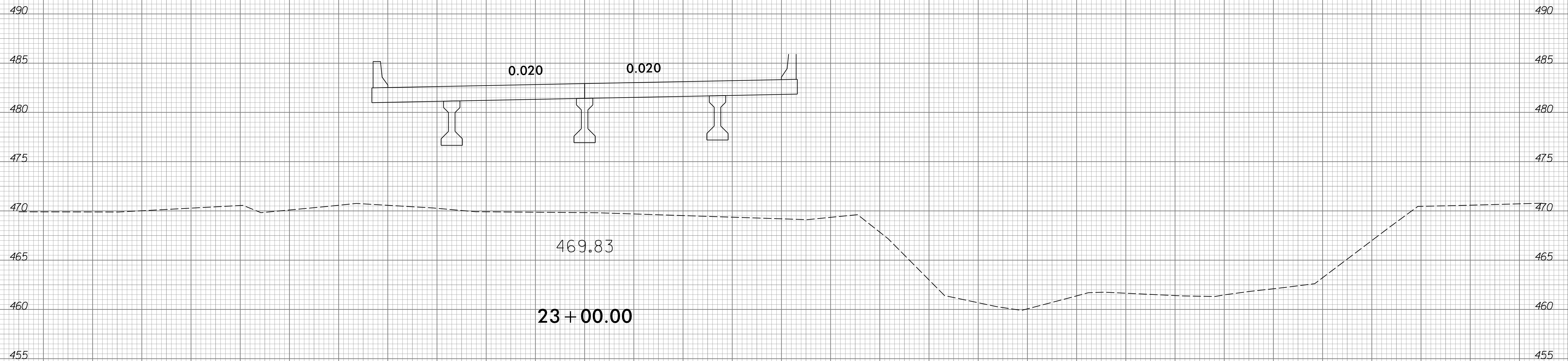
I:\2017\04\04\00\B5371\Roadway\Corridor\B5371_rdy_xpl.dgn
 2/4/2017 10:52:04 AM

6/23/16



PROJ. REFERENCE NO.	SHEET NO.
B-5371	X-9

55 50 45 40 35 30 25 20 15 10 5 0 5 10 15 20 25 30 35 40 45 50 55 60 65 70 75 80 85 90 95



55 50 45 40 35 30 25 20 15 10 5 0 5 10 15 20 25 30 35 40 45 50 55 60 65 70 75 80 85 90 95

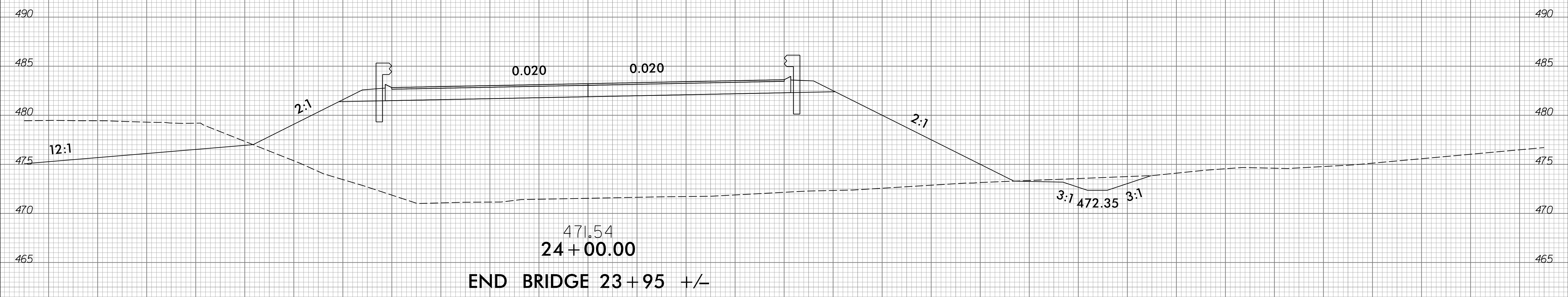
I:\2017\04\04\00\B5371\Roadway\Corridor\Modeling\B5371_rdy_xpl.dgn
 2/4/2017 10:58:22 AM
 chulman

6/23/16



PROJ. REFERENCE NO.	SHEET NO.
B-5371	X-10

55 50 45 40 35 30 25 20 15 10 5 0 5 10 15 20 25 30 35 40 45 50 55 60 65 70 75 80 85 90 95



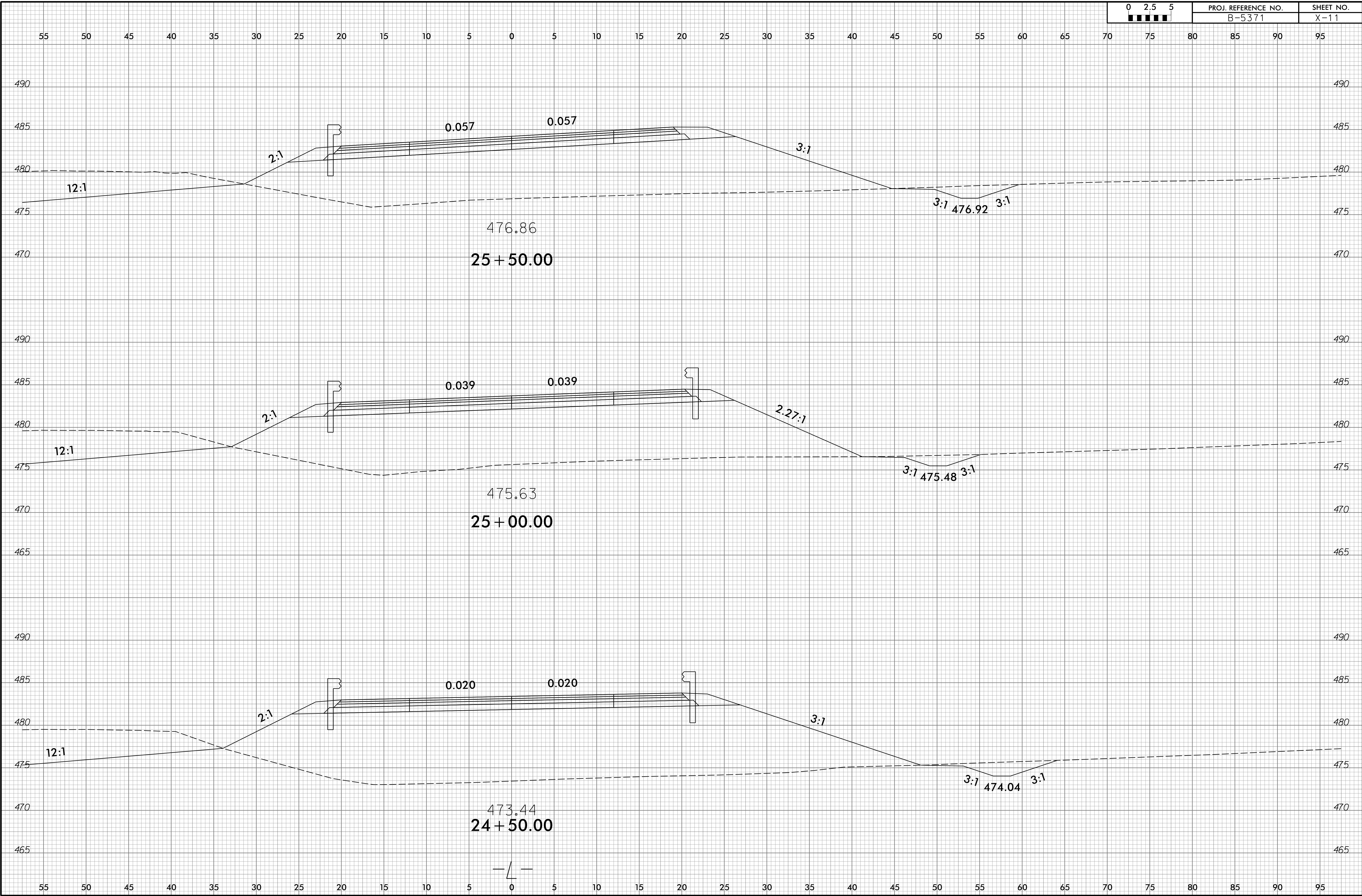
I:\2017\04\04\00\B5371\Roadway\Corridor\Modeling\B5371_rdy_xpl.dgn
 chulman

55 50 45 40 35 30 25 20 15 10 5 0 5 10 15 20 25 30 35 40 45 50 55 60 65 70 75 80 85 90 95

6/23/16



PROJ. REFERENCE NO.	SHEET NO.
B-5371	X-11



2/4/2017
G:\FA\8522-04\CADD\B5371\Roadway\Corridor\Modeling\B5371_rdy_xpl.dgn
chulman

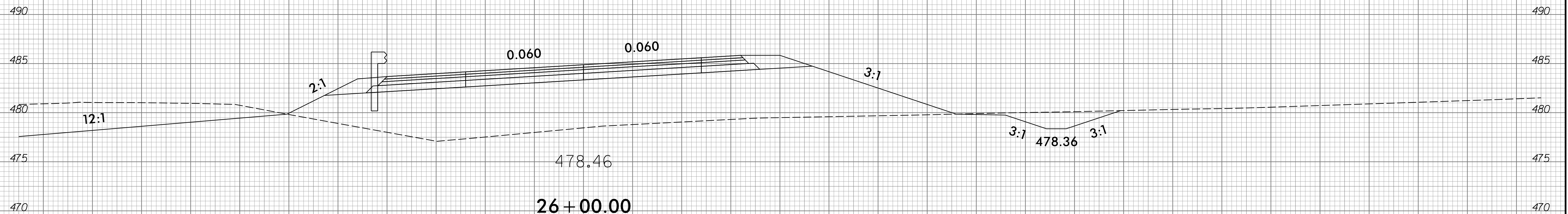
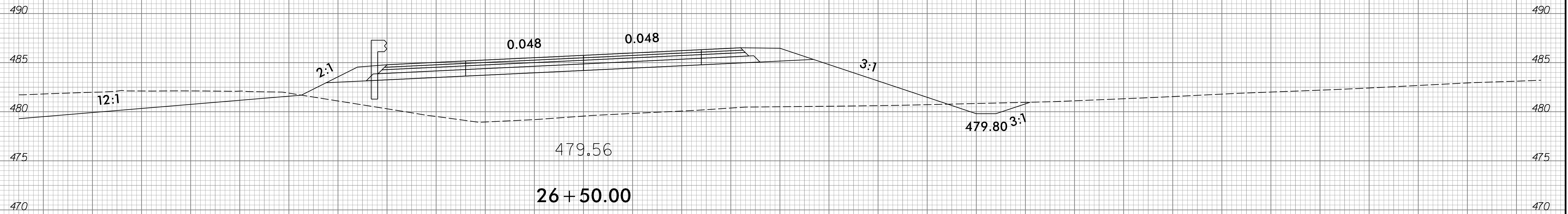
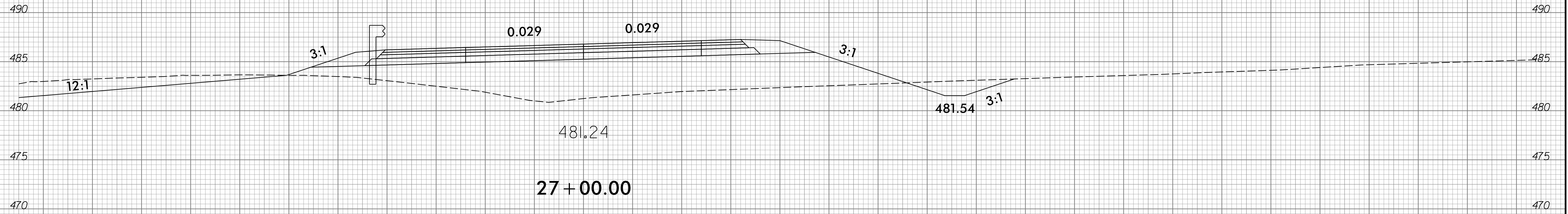
6/23/16



PROJ. REFERENCE NO.
B-5371

SHEET NO.
X-12

55 50 45 40 35 30 25 20 15 10 5 0 5 10 15 20 25 30 35 40 45 50 55 60 65 70 75 80 85 90 95



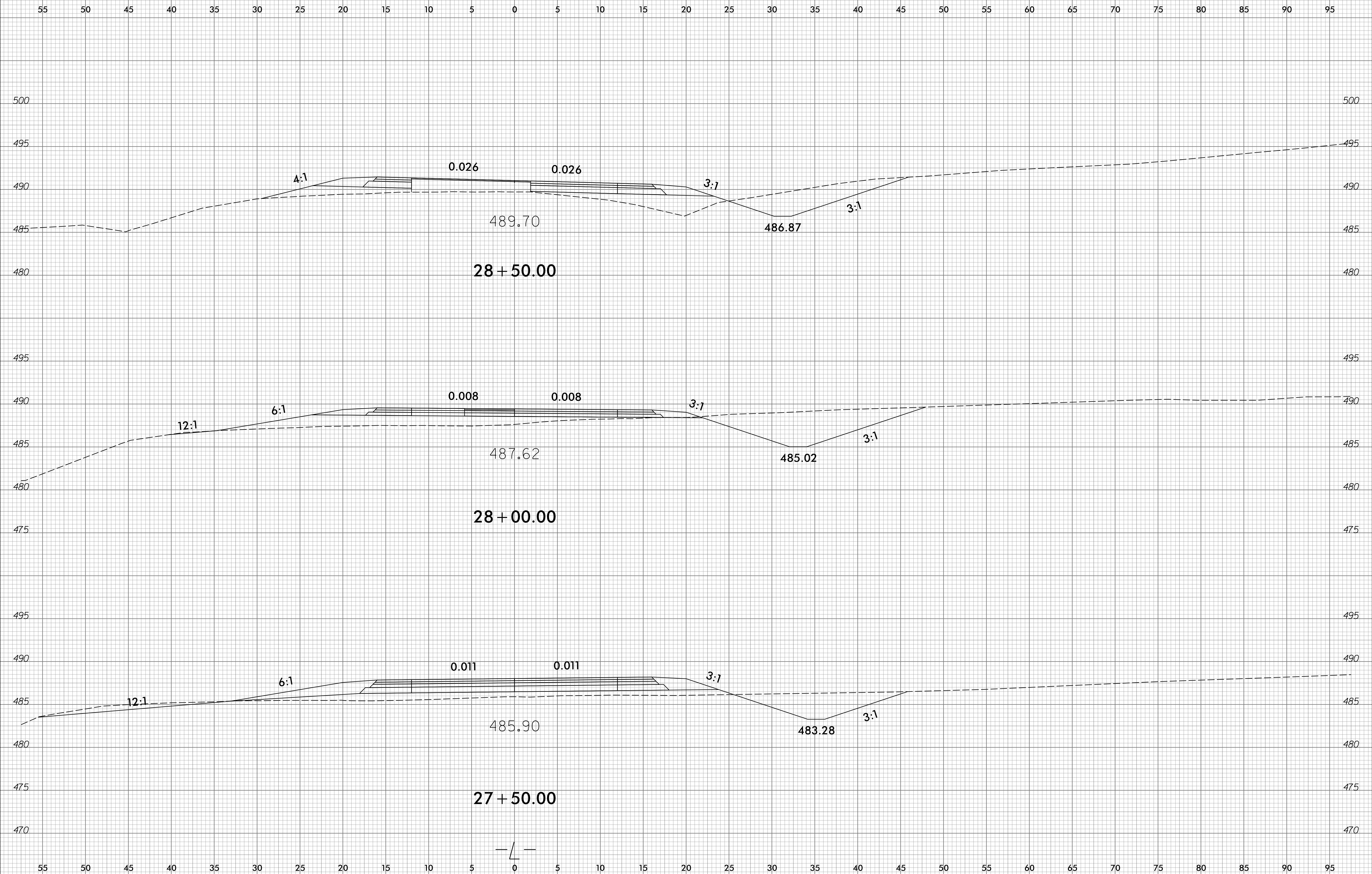
55 50 45 40 35 30 25 20 15 10 5 0 5 10 15 20 25 30 35 40 45 50 55 60 65 70 75 80 85 90 95

2/4/2017
G:\FA\8522-04\CADD\B5371\Roadway\Corridor\Modeling\B5371_rdy_xpl.dgn
chulman

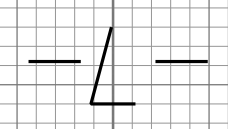
6/23/16



PROJ. REFERENCE NO.	SHEET NO.
B-5371	X-13



2/4/2017
 G:\FA\8522-04\CADD\B5371\Roadway\Corridor Model\ing\b5371_rdy_xpl.dgn
 chulman

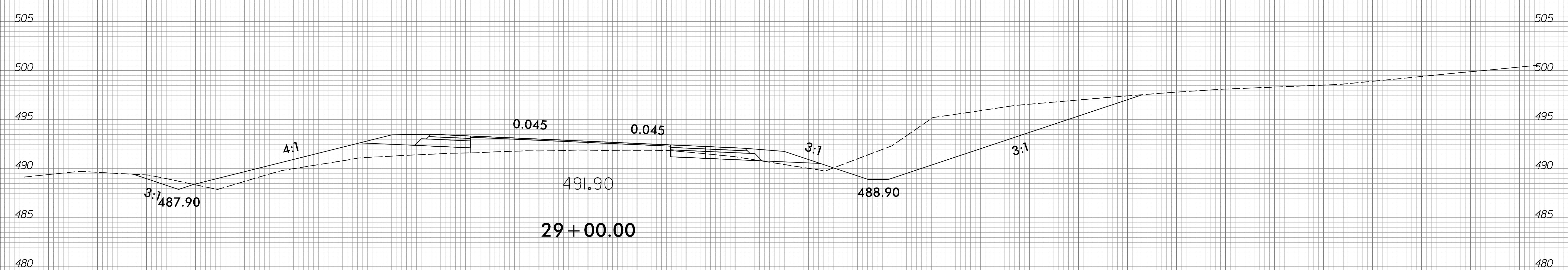


6/23/16



PROJ. REFERENCE NO.	SHEET NO.
B-5371	X-14

55 50 45 40 35 30 25 20 15 10 5 0 5 10 15 20 25 30 35 40 45 50 55 60 65 70 75 80 85 90 95



12/4/2017
 G:\FA\8522-04\CAD\B5371\Roadway\Corridor\Modeling\B5371_rdy_xpl.dgn
 chulman

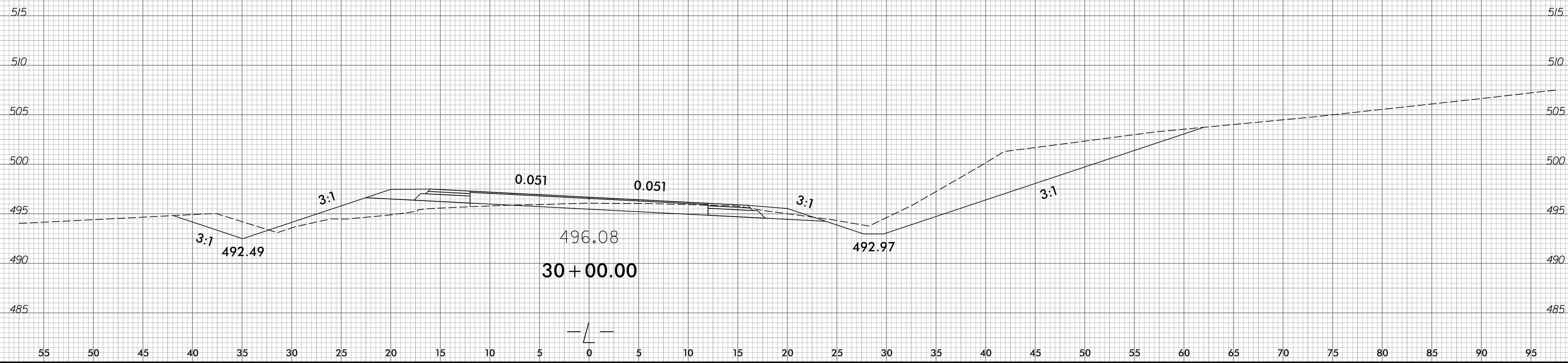
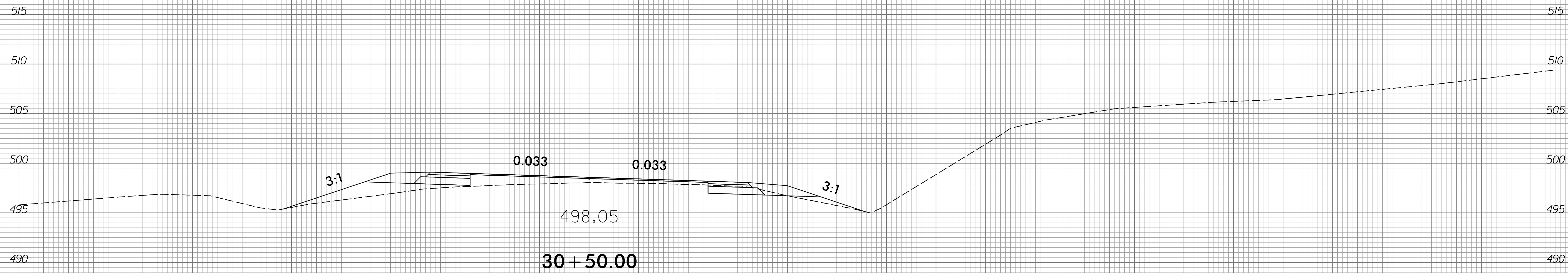
55 50 45 40 35 30 25 20 15 10 5 0 5 10 15 20 25 30 35 40 45 50 55 60 65 70 75 80 85 90 95

6/23/16



PROJ. REFERENCE NO.	SHEET NO.
B-5371	X-15

55 50 45 40 35 30 25 20 15 10 5 0 5 10 15 20 25 30 35 40 45 50 55 60 65 70 75 80 85 90 95



2/4/2017
 G:\FA\8522-04\CADD\B5371\Roadway\Corridor\Modeling\B5371_rdy_xpl.dgn
 chulman

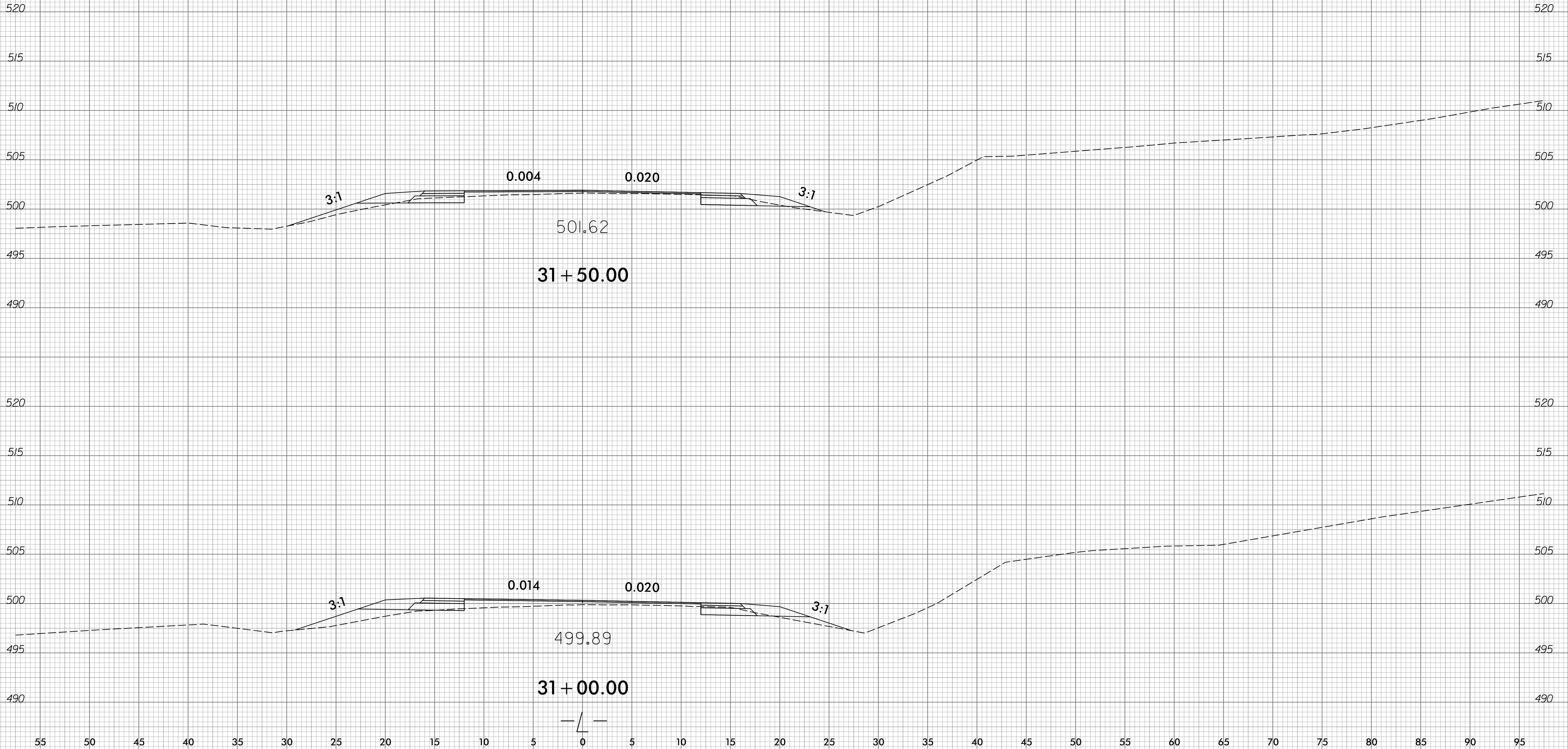
6/23/16



PROJ. REFERENCE NO.	SHEET NO.
B-5371	X-16

PROJ. REFERENCE NO.	SHEET NO.
B-5371	X-16

55 50 45 40 35 30 25 20 15 10 5 0 5 10 15 20 25 30 35 40 45 50 55 60 65 70 75 80 85 90 95



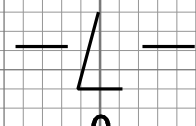
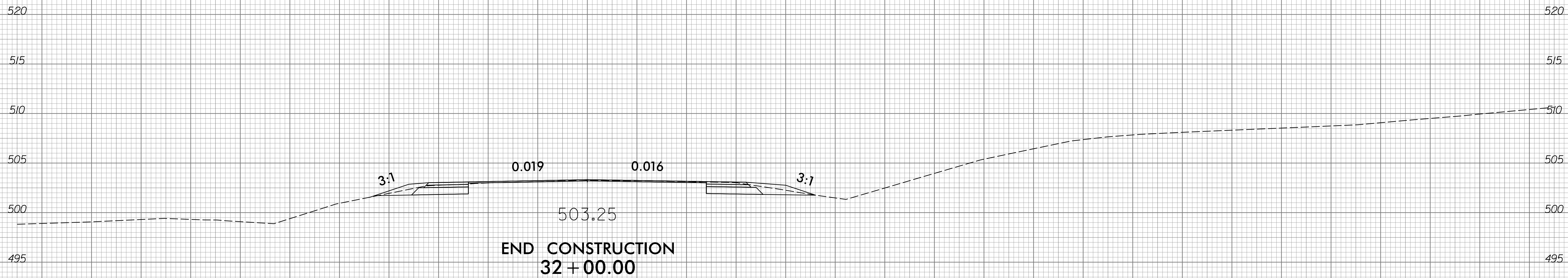
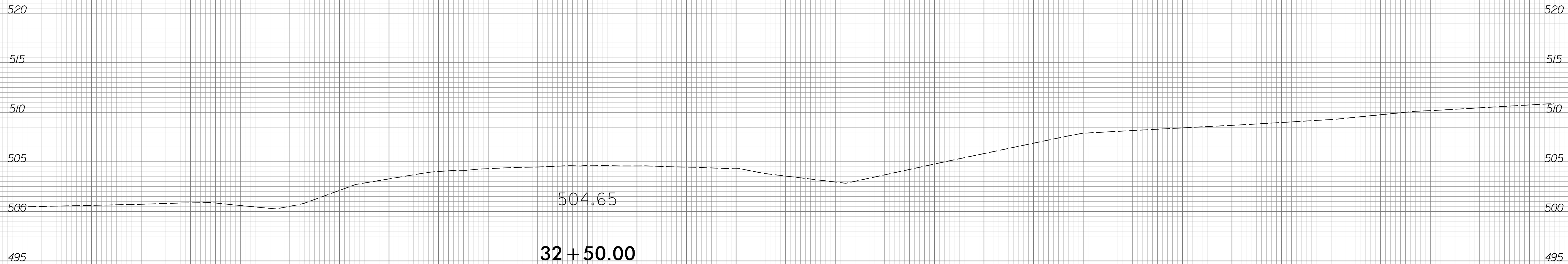
I:\2017\04\04\00\B5371\Roadway\Corridor\Modeling\B5371_rdy_xpl.dgn
 chuliman

6/23/16



PROJ. REFERENCE NO.	SHEET NO.
B-5371	X-17

55 50 45 40 35 30 25 20 15 10 5 0 5 10 15 20 25 30 35 40 45 50 55 60 65 70 75 80 85 90 95



55 50 45 40 35 30 25 20 15 10 5 0 5 10 15 20 25 30 35 40 45 50 55 60 65 70 75 80 85 90 95

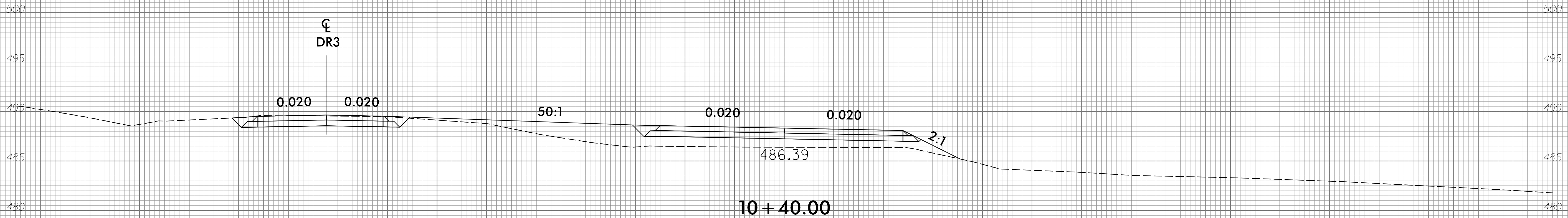
2/4/2017
 G:\FA\8522-04\CADD\B5371\Roadway\Corridor\Modeling\B5371_rdy_xpl.dgn
 chulman

6/23/16

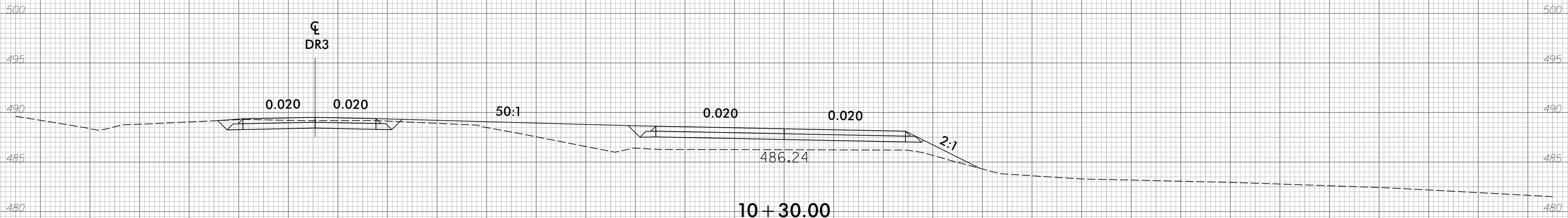


PROJ. REFERENCE NO.	SHEET NO.
B-5371	X-18

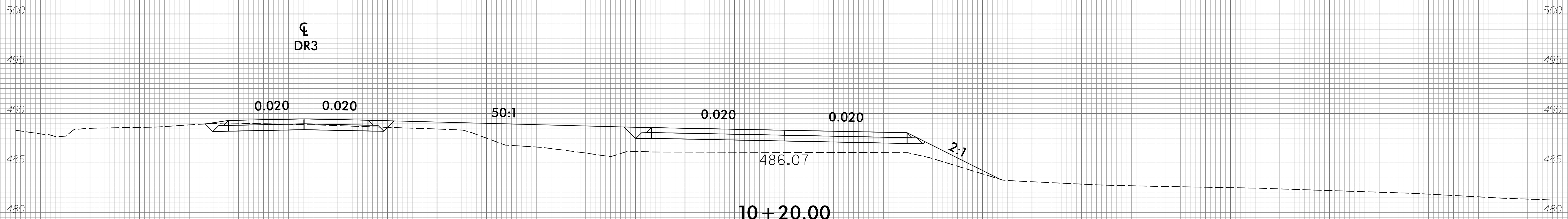
75 70 65 60 55 50 45 40 35 30 25 20 15 10 5 0 5 10 15 20 25 30 35 40 45 50 55 60 65 70 75



10 + 40.00



10 + 30.00



10 + 20.00

-DR2-

75 70 65 60 55 50 45 40 35 30 25 20 15 10 5 0 5 10 15 20 25 30 35 40 45 50 55 60 65 70 75

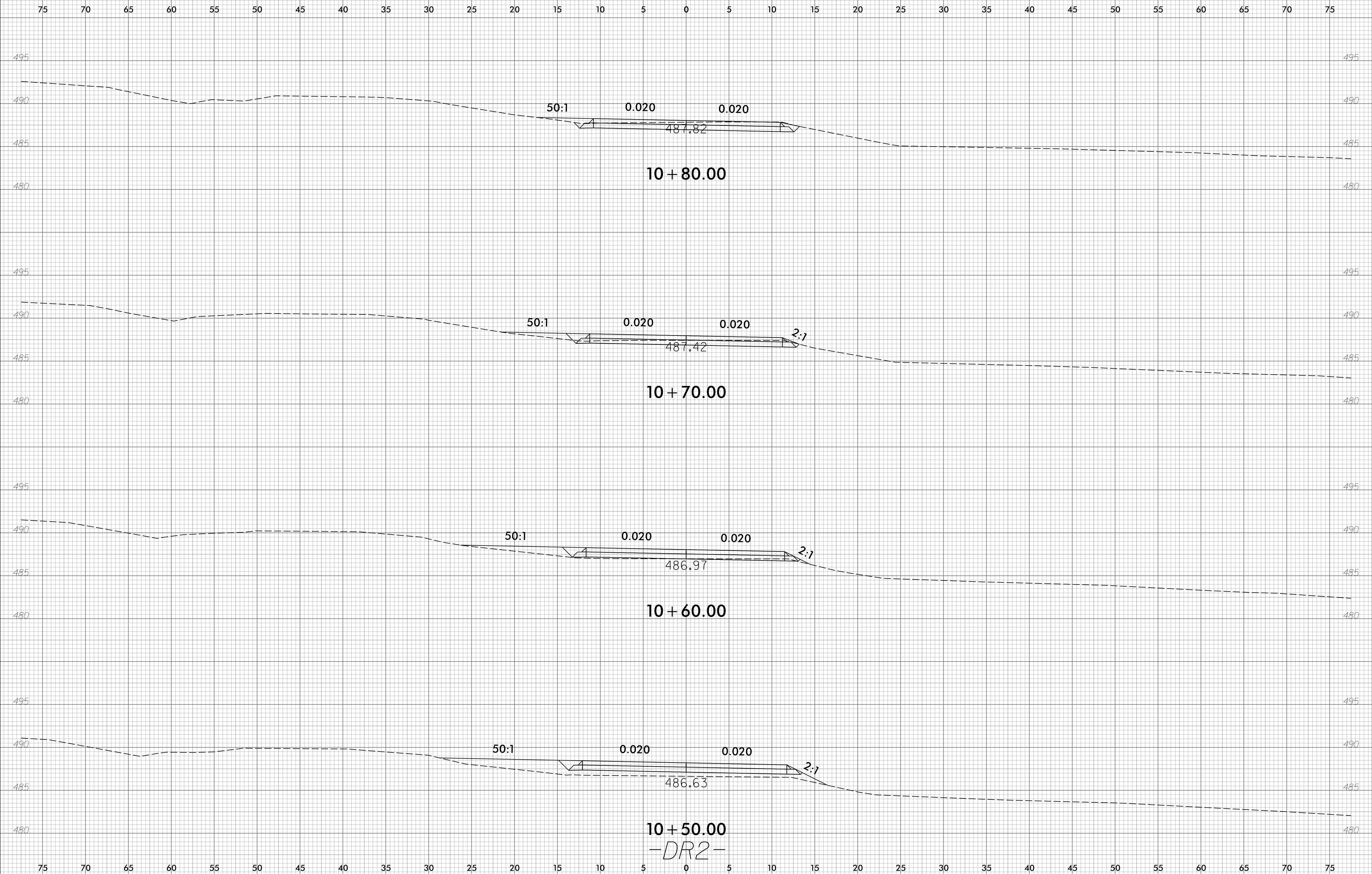
I:\2017\04\04\00\B5371\Roadway\Corridor\Modeling\B5371_rdy_xpl_DR2.dgn
 2/4/2017 10:52:04 AM

6/23/16



PROJ. REFERENCE NO.	SHEET NO.
B-5371	X-19

PROJ. REFERENCE NO.	SHEET NO.
B-5371	X-19



I:\Projects\2017\04\04\00\B5371\Roadway\Corridor\Modeling\B5371_rdy_xpl_DR2.dgn
 2/4/2017 10:52:04 AM

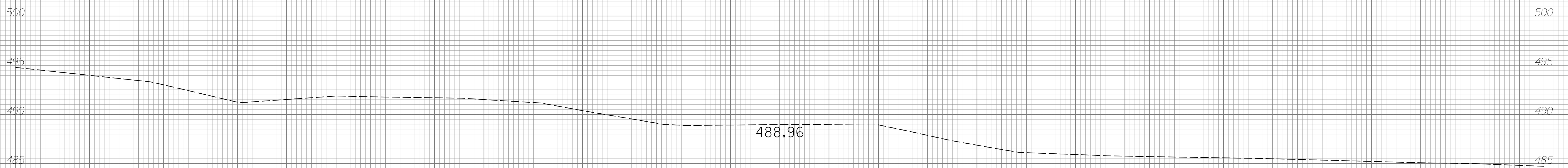
10 + 50.00
-DR2-

6/23/16

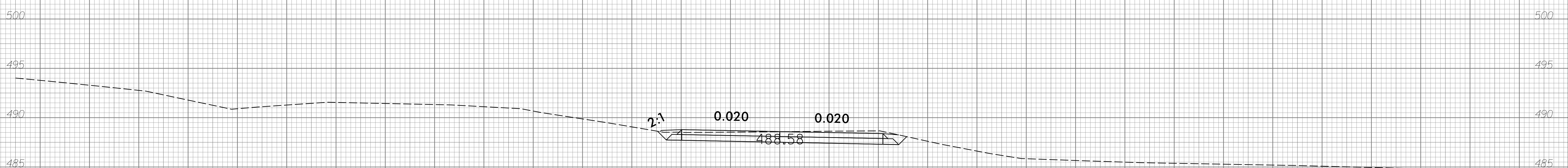


PROJ. REFERENCE NO.	SHEET NO.
B-5371	X-20

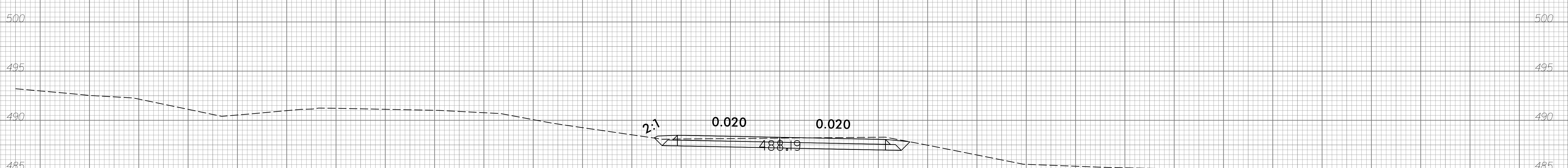
75 70 65 60 55 50 45 40 35 30 25 20 15 10 5 0 5 10 15 20 25 30 35 40 45 50 55 60 65 70 75



11 + 10.00



11 + 00.00



10 + 90.00

-DR2-

75 70 65 60 55 50 45 40 35 30 25 20 15 10 5 0 5 10 15 20 25 30 35 40 45 50 55 60 65 70 75

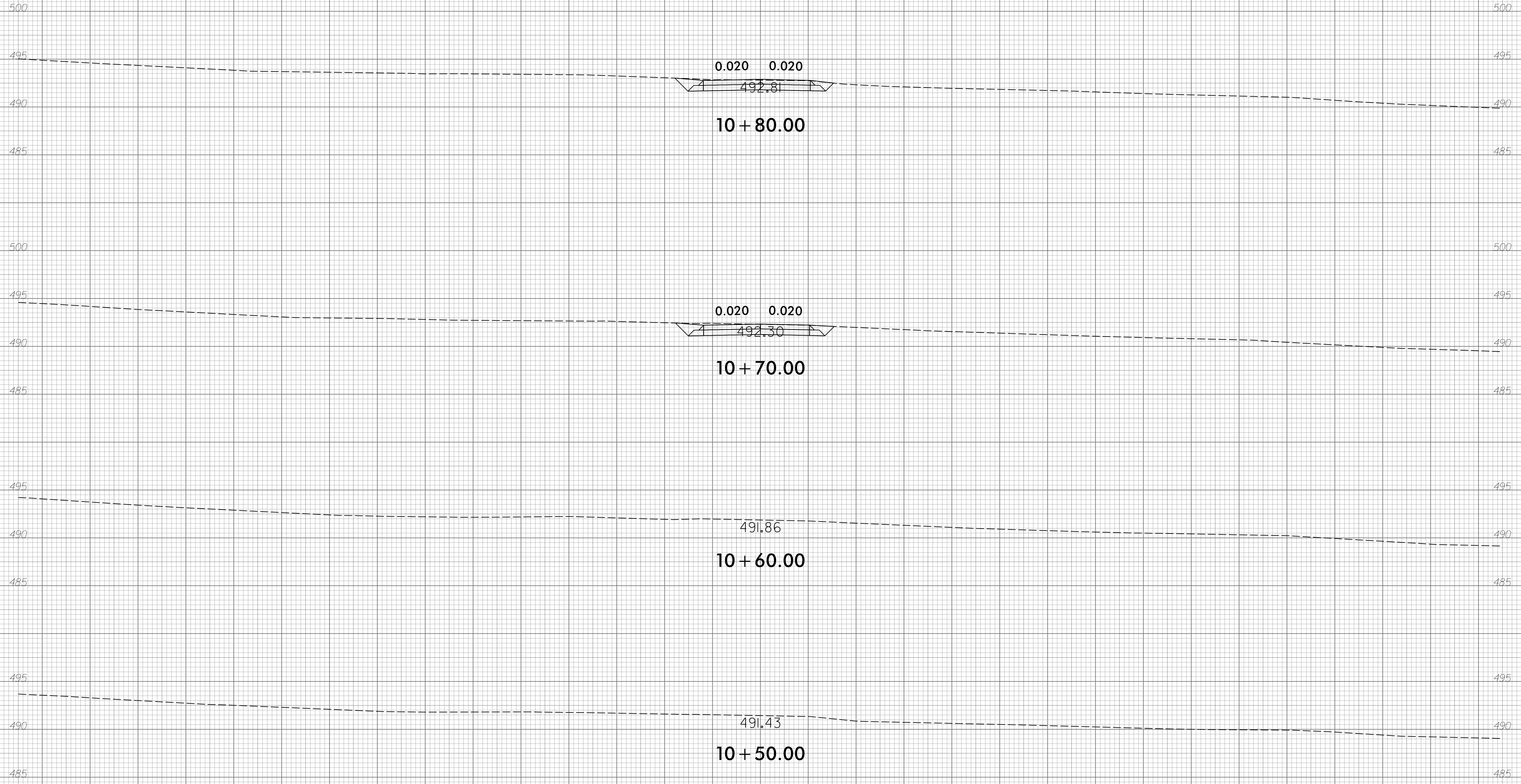
2/4/2017
 G:\FA\8522-04\CADD\B5371\Roadway\Corridor Model\img\b5371_rdy_xpl_DR2.dgn
 chulman

6/23/16



PROJ. REFERENCE NO.	SHEET NO.
B-5371	X-21

75 70 65 60 55 50 45 40 35 30 25 20 15 10 5 0 5 10 15 20 25 30 35 40 45 50 55 60 65 70 75



-DR4-

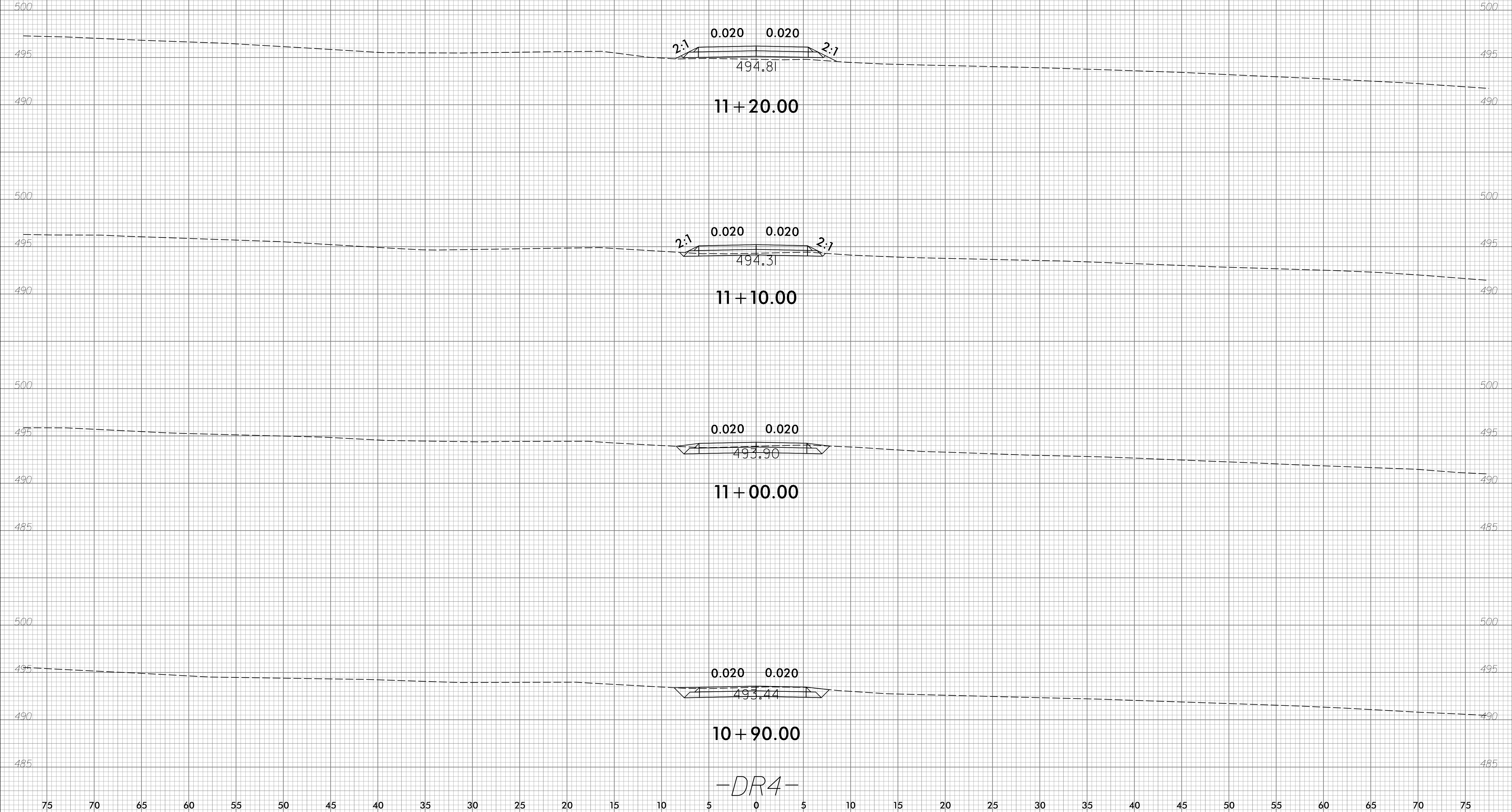
I:\2017\04\04\00\B5371\Roadway\Corridor\Modelling\B5371_rdy_xpl_DR4.dgn
 2/4/2017 10:11:11 AM

6/23/16



PROJ. REFERENCE NO.	SHEET NO.
B-5371	X-22

75 70 65 60 55 50 45 40 35 30 25 20 15 10 5 0 5 10 15 20 25 30 35 40 45 50 55 60 65 70 75



-DR4-

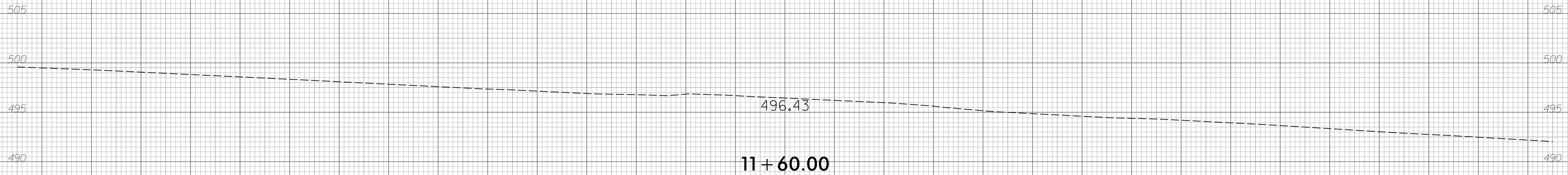
I:\2017\04\04\00\B5371\Roadway\Corridor\Modeling\B5371_rdy_xpl_DR4.dgn
 2/4/2017 10:11:11 AM

6/23/16

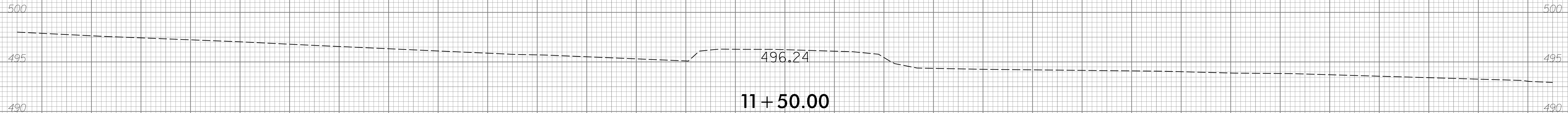


PROJ. REFERENCE NO.	SHEET NO.
B-5371	X-23

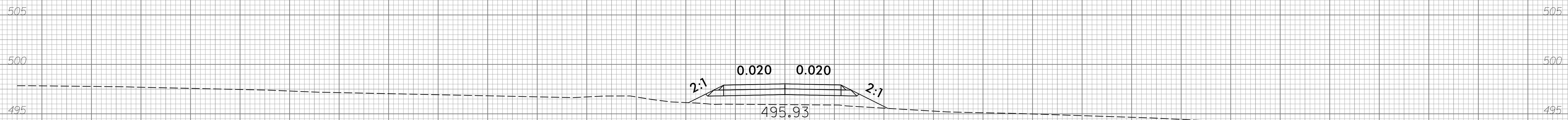
75 70 65 60 55 50 45 40 35 30 25 20 15 10 5 0 5 10 15 20 25 30 35 40 45 50 55 60 65 70 75



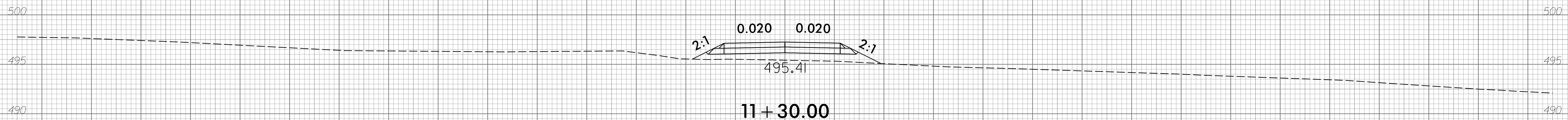
11 + 60.00



11 + 50.00



11 + 40.00



11 + 30.00

-DR4-

75 70 65 60 55 50 45 40 35 30 25 20 15 10 5 0 5 10 15 20 25 30 35 40 45 50 55 60 65 70 75

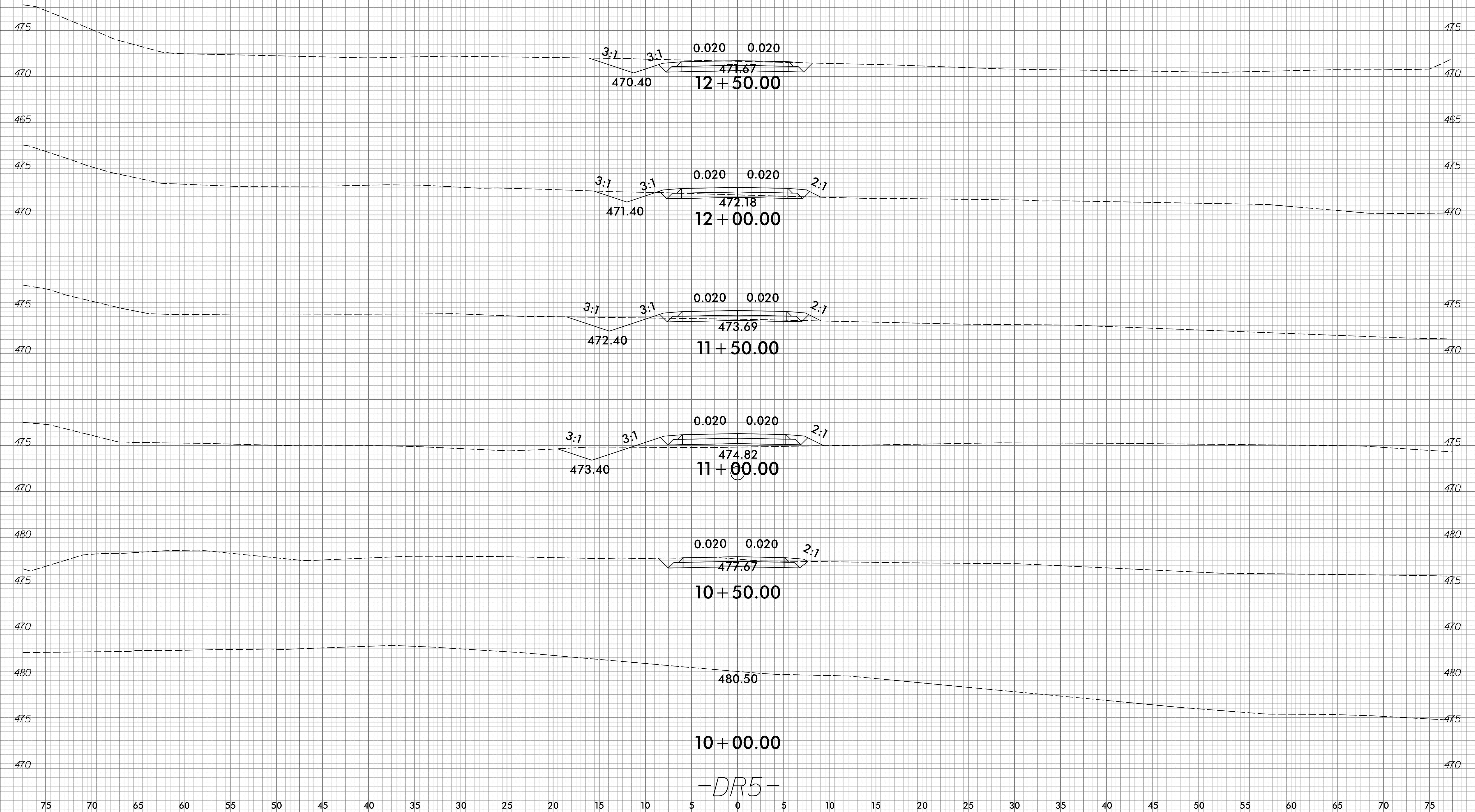
I:\Projects\2017\04\04\00\B5371\Roadway\Corridor\Modeling\B5371_rdy_xpl_DR4.dgn
 2/4/2017 10:11:11 AM
 User: jman

6/23/16



PROJ. REFERENCE NO.	SHEET NO.
B-5371	X-24

75 70 65 60 55 50 45 40 35 30 25 20 15 10 5 0 5 10 15 20 25 30 35 40 45 50 55 60 65 70 75



-DR5-

I:\2017\04\04\00\B5371\Roadway\Corridor\Modeling\B5371_rdy_xpl_DR5.dgn
 2/4/2017 10:52:04 AM

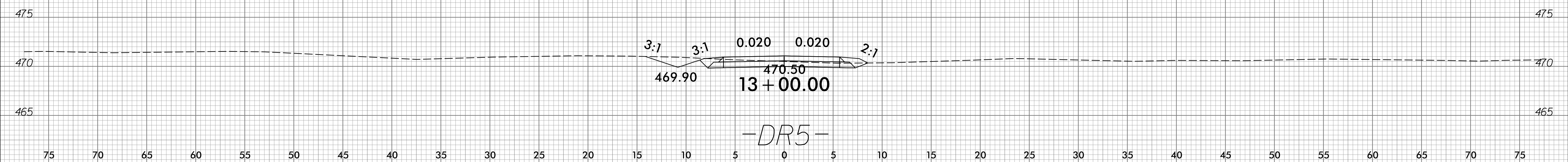
6/23/16



PROJ. REFERENCE NO.
B-5371

SHEET NO.
X-25

75 70 65 60 55 50 45 40 35 30 25 20 15 10 5 0 5 10 15 20 25 30 35 40 45 50 55 60 65 70 75



12/4/2017
 G:\FA\8522-04\CAD\B5371\Roadway\Corridor\Modeling\B5371_rdy_xpl_DR5.dgn
 chulman