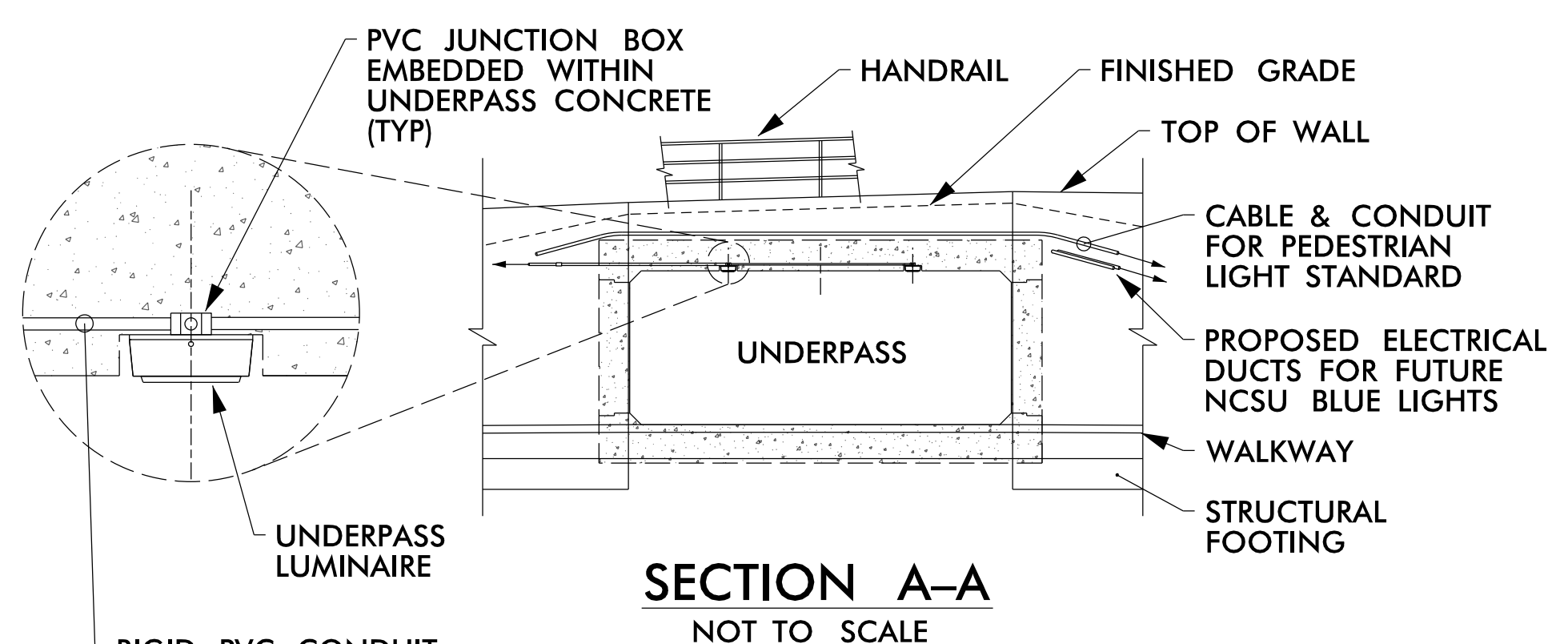
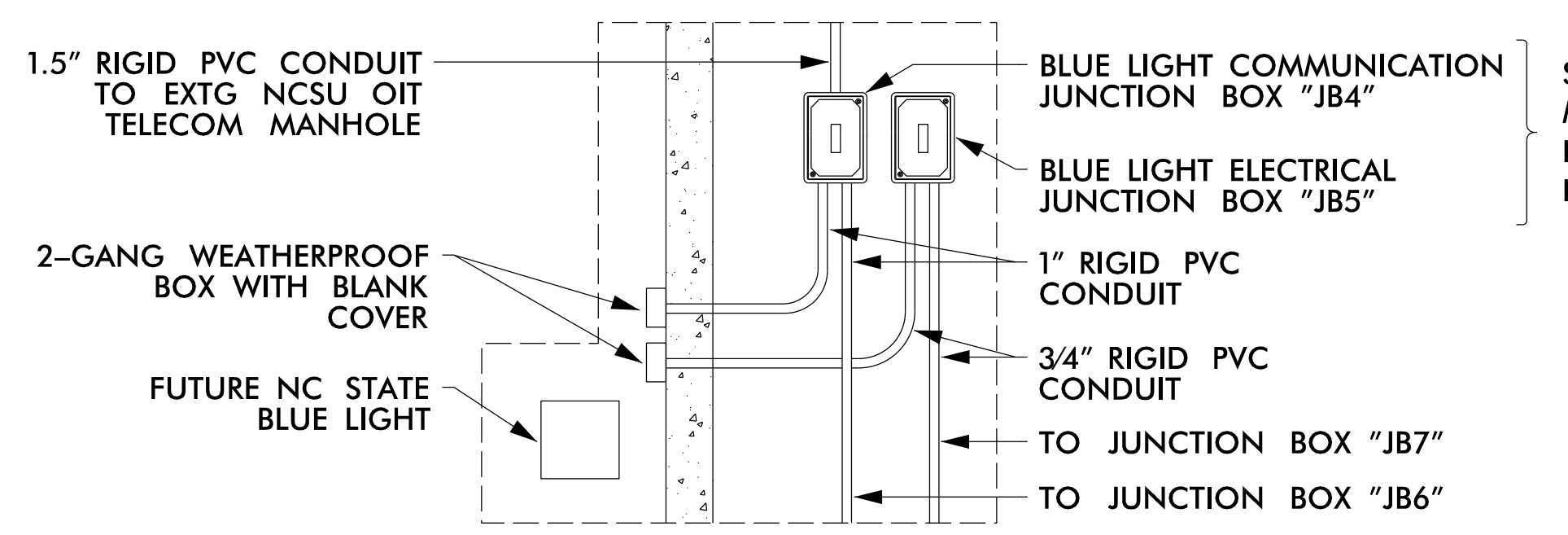


5/14/99

PROJECT REFERENCE NO. W-5522	SHEET NO. L3
ELECTRICAL DESIGN ENGINEER	
10/23/2017	
Prepared in the Office of: <b>AECOM</b> <small>NC FIRM LICENSE No. F-0342 701 Corporate Center, Suite 475 Raleigh, NC 27607 (919) 854-6200 / (919) 854-6259(FAX)</small>	
<b>DOCUMENT NOT CONSIDERED FINAL UNLESS ALL SIGNATURES COMPLETED</b>	

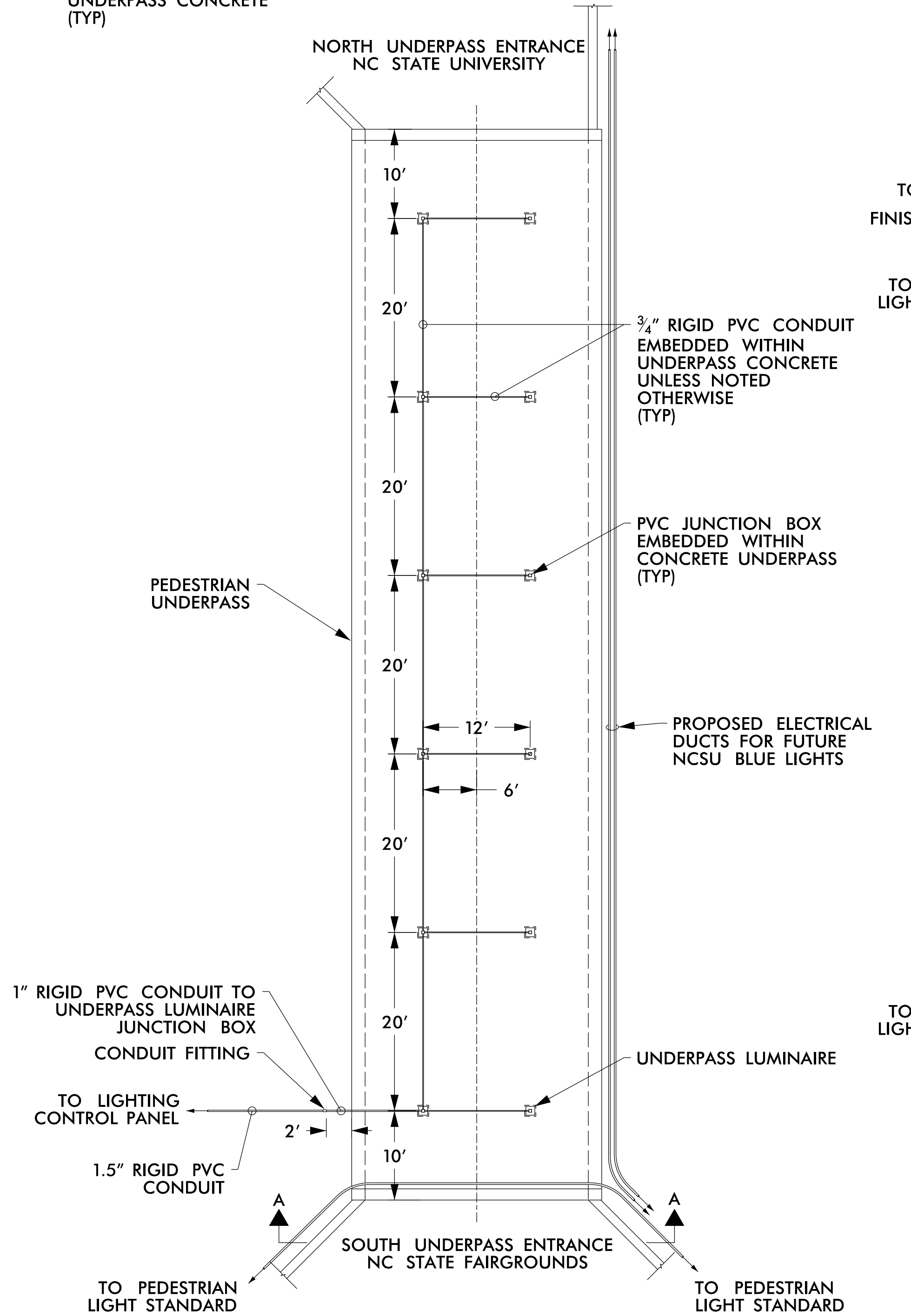


**SECTION A-A**  
NOT TO SCALE

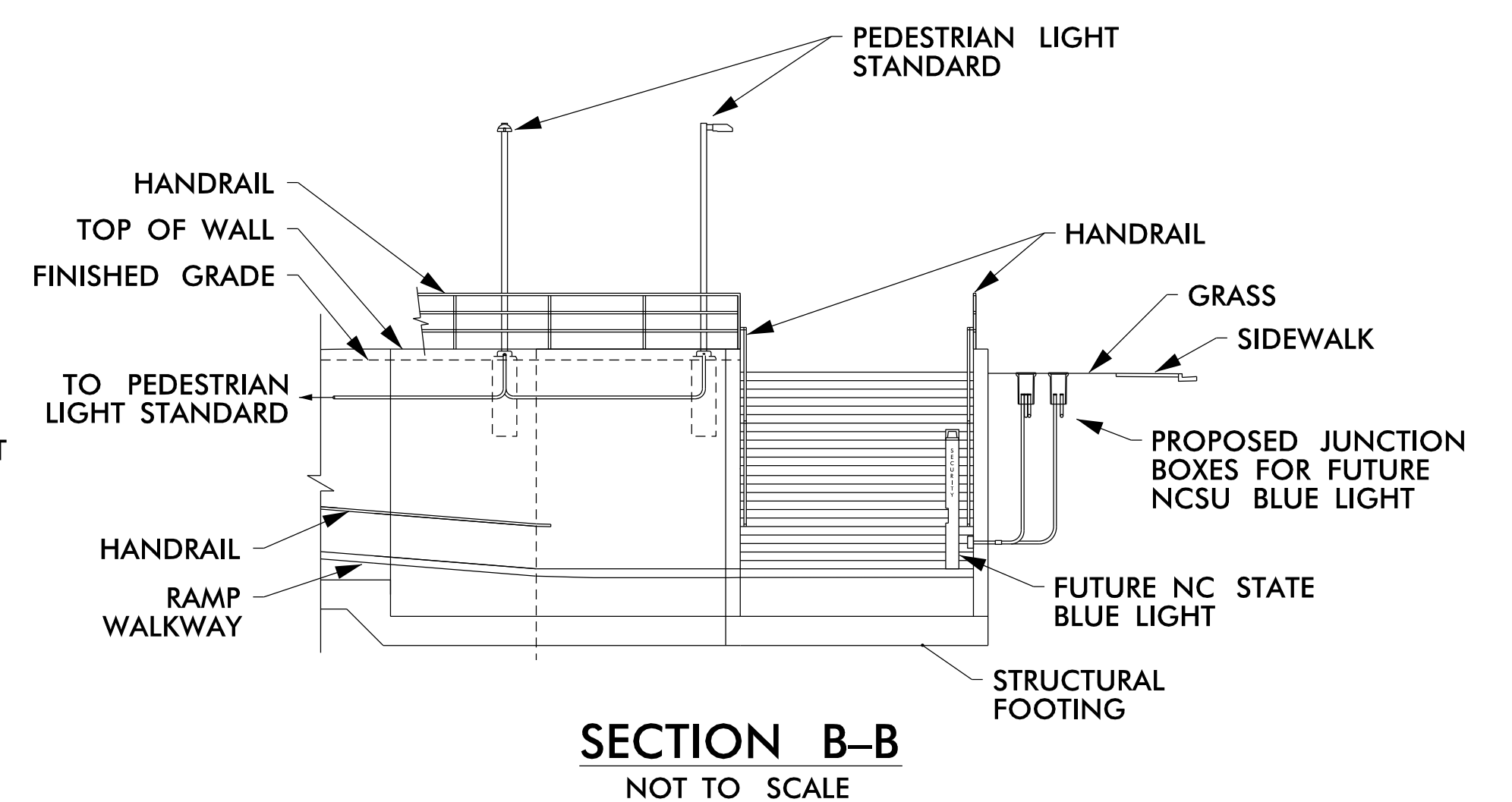


**DETAIL A**  
NOT TO SCALE  
NOTE: DETAIL TYPICAL FOR FUTURE BLUE LIGHT INSTALLATION AT SOUTH END OF UNDERPASS

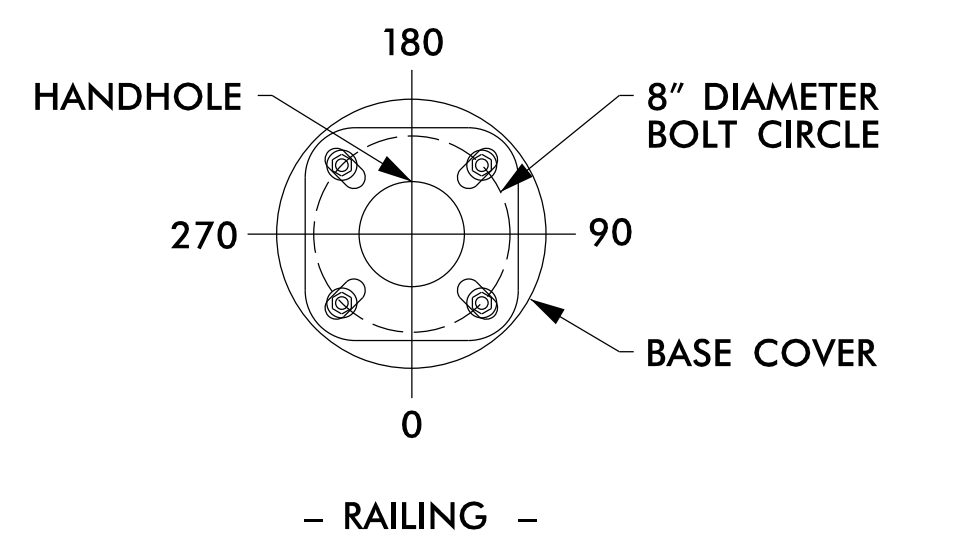
STUB ELECTRICAL DUCTS  
MIN. OF 6" ABOVE  
BASE OF JUNCTION  
BOXES AND CAP



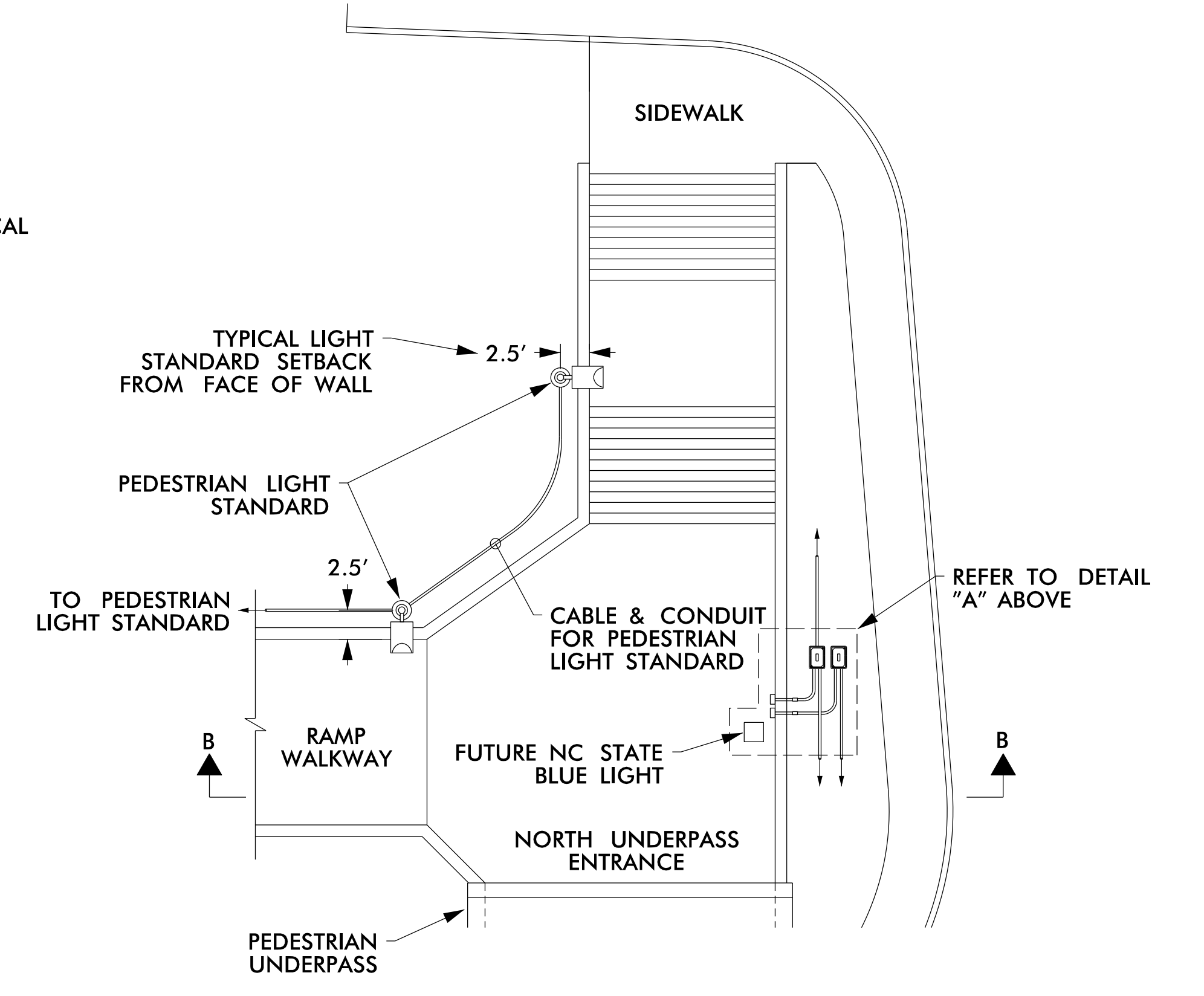
**PEDESTRIAN UNDERPASS LIGHTING**  
NOT TO SCALE



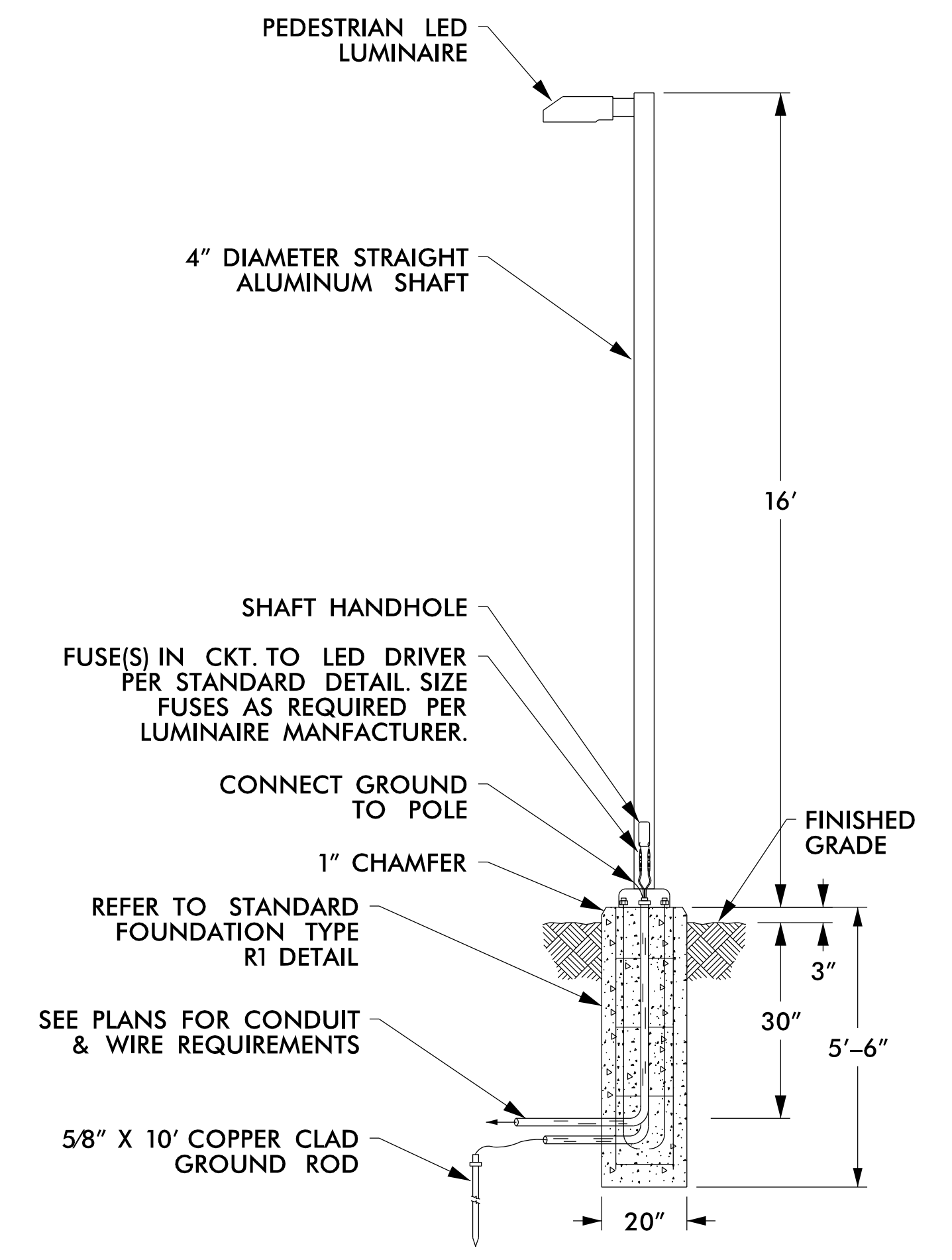
**SECTION B-B**  
NOT TO SCALE



**LIGHT STANDARD BOLT PATTERN**  
NOT TO SCALE



**PEDESTRIAN UNDERPASS LIGHTING**  
NOT TO SCALE



**PEDESTRIAN LIGHT STANDARD**  
NOT TO SCALE

5/14/99