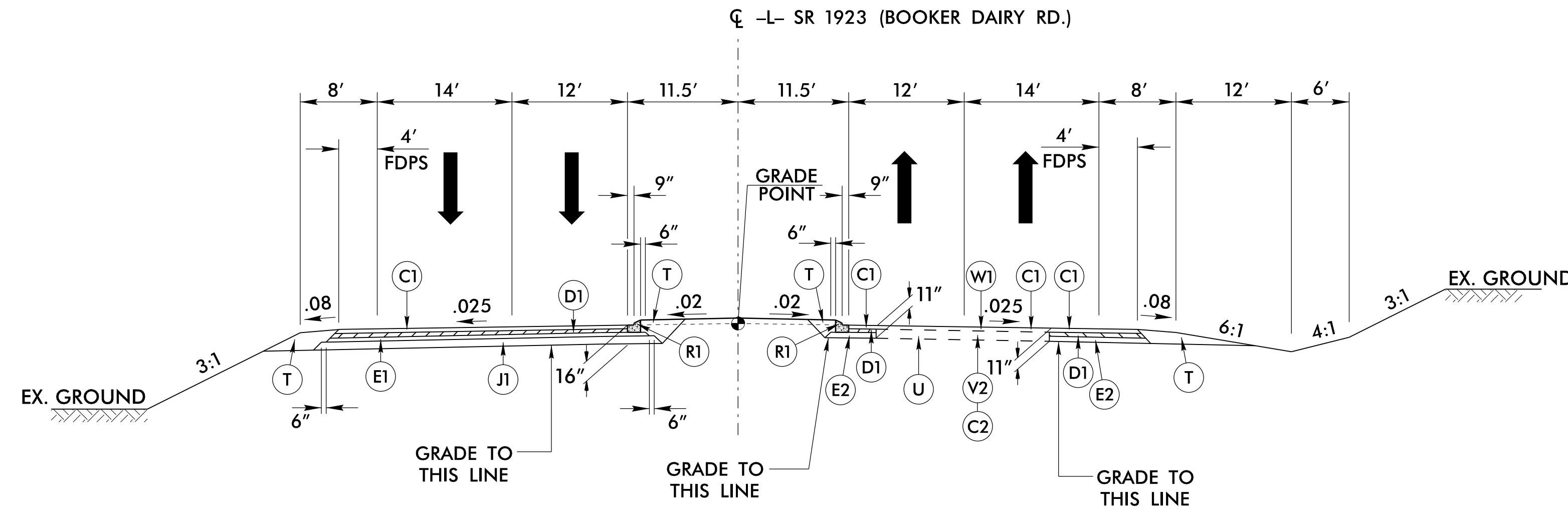


**DOCUMENT NOT CONSIDERED FINAL
 UNLESS ALL SIGNATURES COMPLETED**

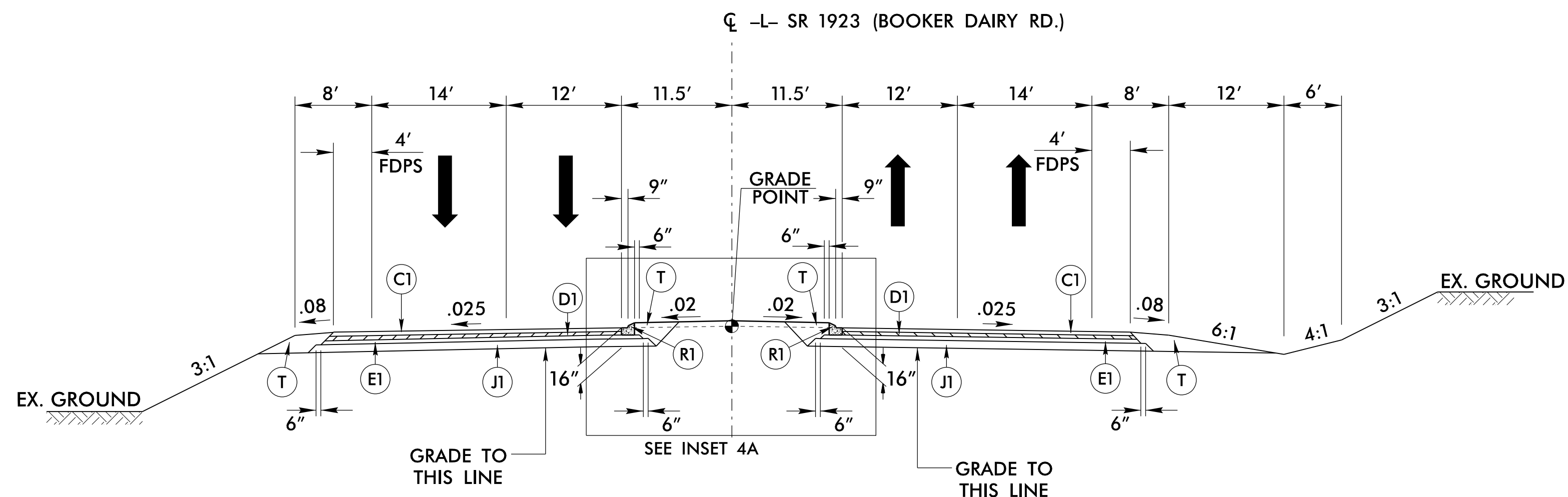


TYPICAL SECTION NO. 3

USE TYPICAL SECTION NO. 3 AT THE FOLLOWING LOCATION:
 -L- STA. 67+26.98 TO -L- STA. 71+00.00

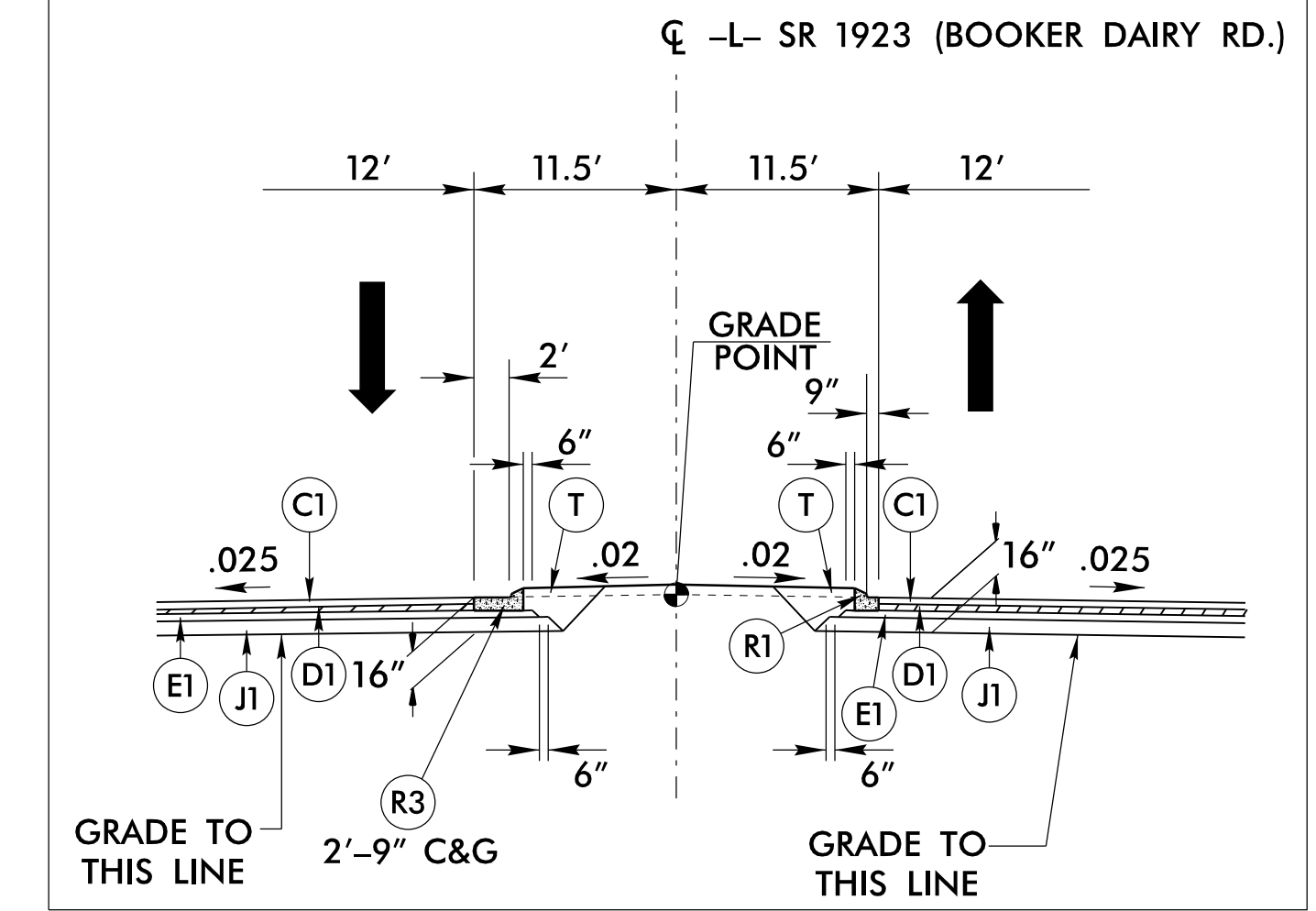
FINAL PAVEMENT SCHEDULE

C1	3" S9.5B	N	GEOTEXTILE FOR SOIL STABILIZATION
C2	1 1/2" S9.5B	P	PRIME COAT
C3	2" S9.5B	R1	1'-6" C & G
C4	VAR. S9.5B	R2	2'-6" C & G
D1	4" I19.0B	R3	2'-9" C & G
D2	3" I19.0B	S	CONCRETE SIDEWALK
D3	VAR. I19.0B	T	EARTH MATERIAL
E1	3" B25.0B	U	EXISTING PAVEMENT
E2	4" B25.0B	V1	3" MILLING EXISTING PAVEMENT
E3	VAR. B25.0B	V2	1 1/2" MILLING EXISTING PAVEMENT
J1	6" ABC	W1	WEDGING (SEE DETAIL ON SHT. 2A-1)
J2	8" ABC	W2	WEDGING (SEE DETAIL ON SHT. 2A-1)
L	CLASS IV SUBGRADE STABILIZATION		NOTE: PAVEMENT EDGE SLOPES ARE 1:1 UNLESS SHOWN OTHERWISE.



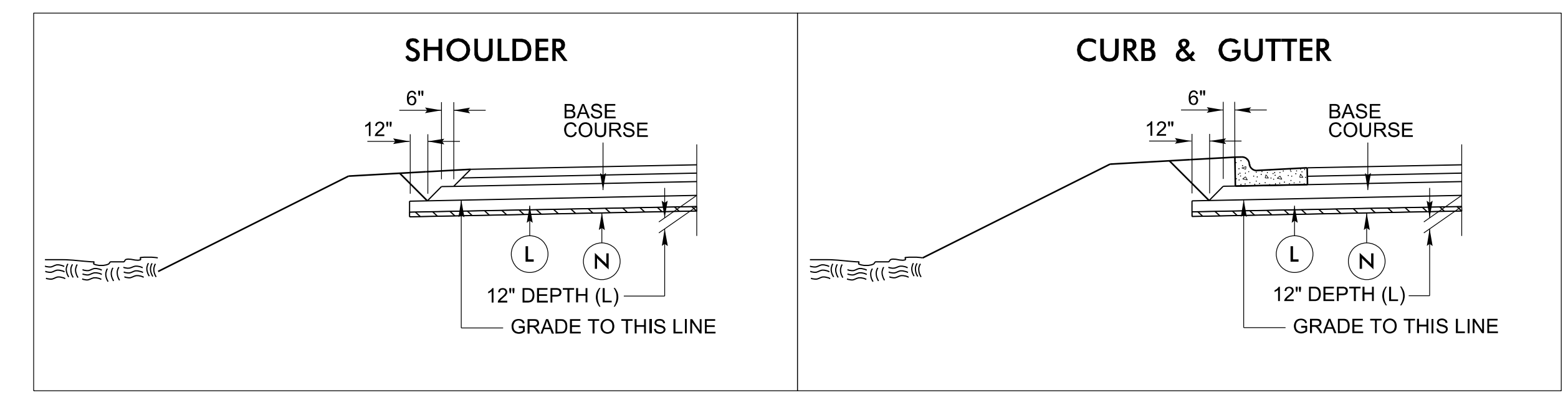
TYPICAL SECTION NO. 4

USE TYPICAL SECTION NO. 4 AT THE FOLLOWING LOCATION:
 -L- STA. 71+00.00 TO -L- STA. 117+00.00



INSET NO. 4A

USE WITH TYPICAL SECTION NO. 4
 USE INSET NO. 4A AT THE FOLLOWING LOCATIONS:
 -L- STA. 82+56.60 TO -L- STA. 114+31.32



GEOTEXTILE FOR SOIL STABILIZATION

-L- STA. 75+00 +/- TO -L- STA. 84+50 +/-