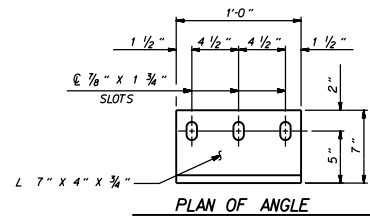
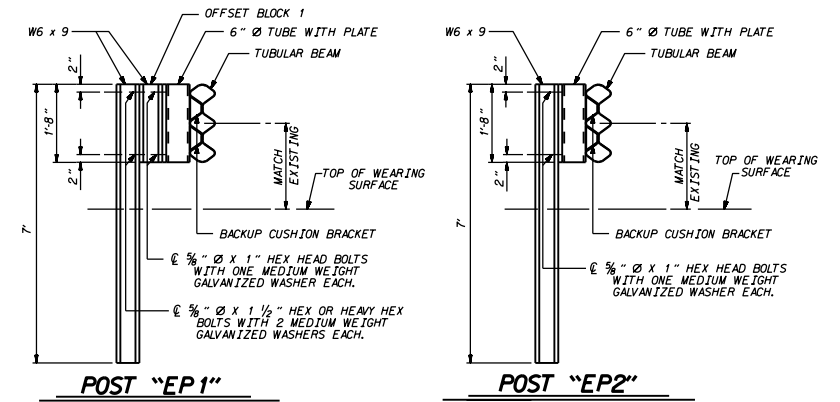


DETAIL SHOWING CONNECTION OF 6" Ø TUBE TO POST OR OFFSET BLOCK



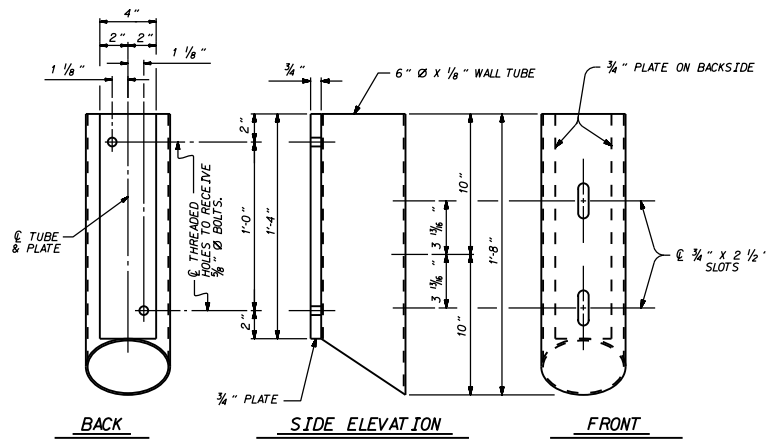
PLAN OF ANGLE

NOTE A: SLOT TO BE DRILLED ON SIDE OF WEB FACING "ONCOMING TRAFFIC".



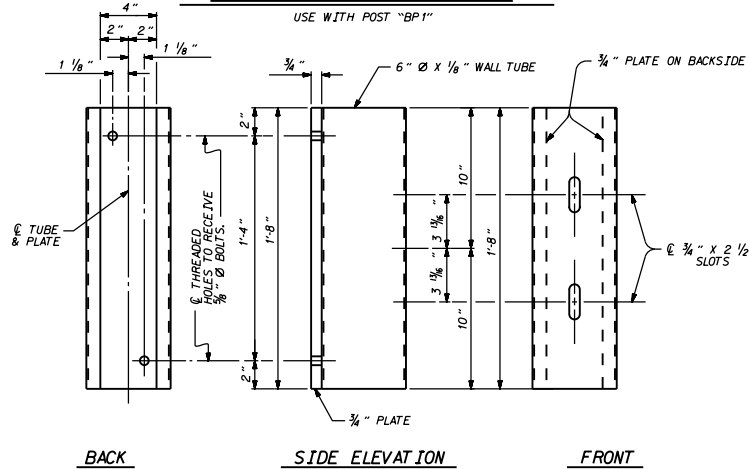
POST "EP1"

POST "EP2"



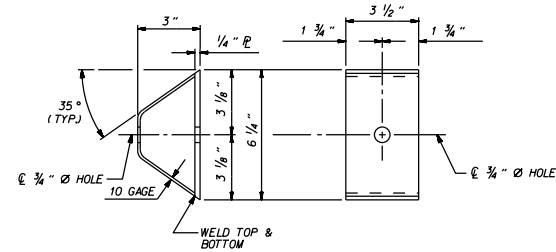
6" Ø TUBE DETAILS

USE WITH POST "BP1"

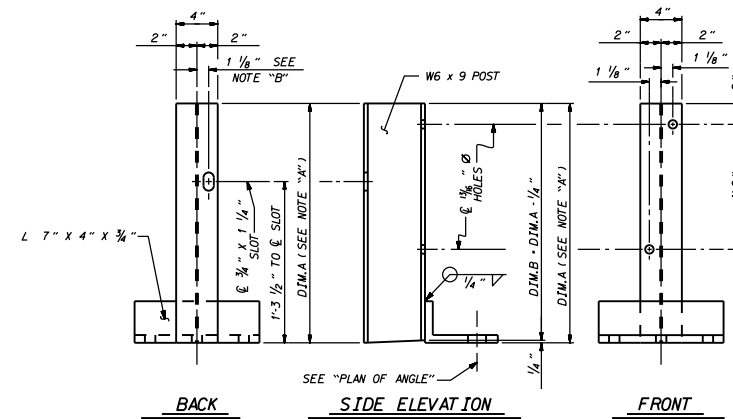


6" Ø TUBE DETAILS

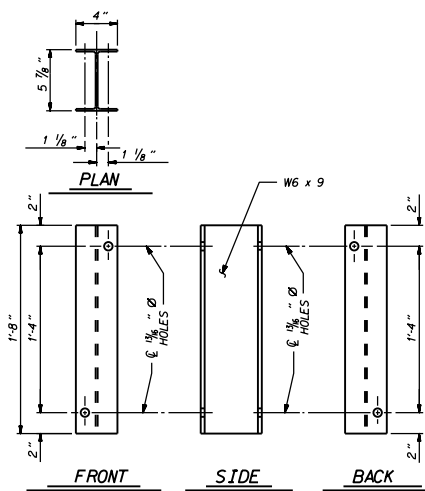
USE WITH POST "EP1, EP2, & EP7"



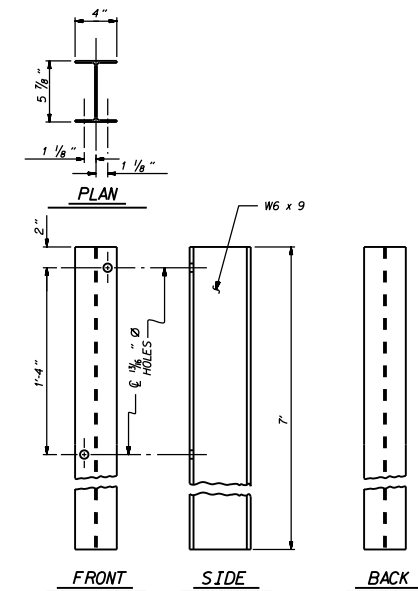
BACKUP CUSHION BRACKET



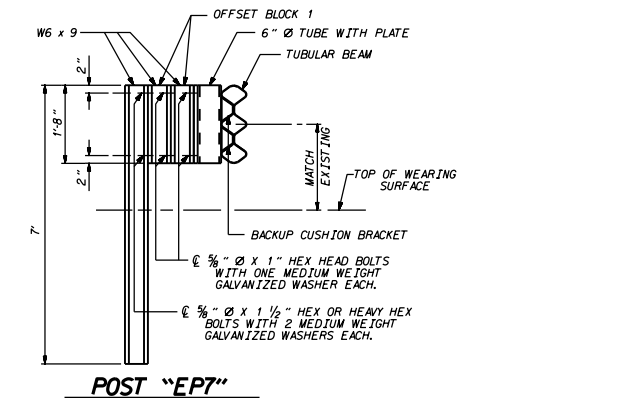
BP1 POST DETAILS



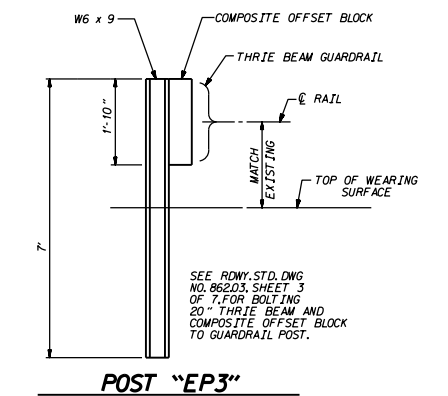
DETAILS OF OFFSET BLOCK 1



DETAIL OF POST EP1, EP2, & EP7



POST "EP7"



POST "EP3"

CONTRACT STANDARDS AND DEVELOPMENT UNIT
Office 919-707-6950 FAX 919-250-4119

RETROFIT OF EXISTING BRIDGE RAIL WITH TUBULAR BEAM GUARDRAIL

ORIGINAL BY: C.O. CUEVAS DATE: 9-1-98
MODIFIED BY: DATE:
CHECKED BY: DATE:
FILE SPEC.: ds182\usr\cesar\english\retrofit.dgn