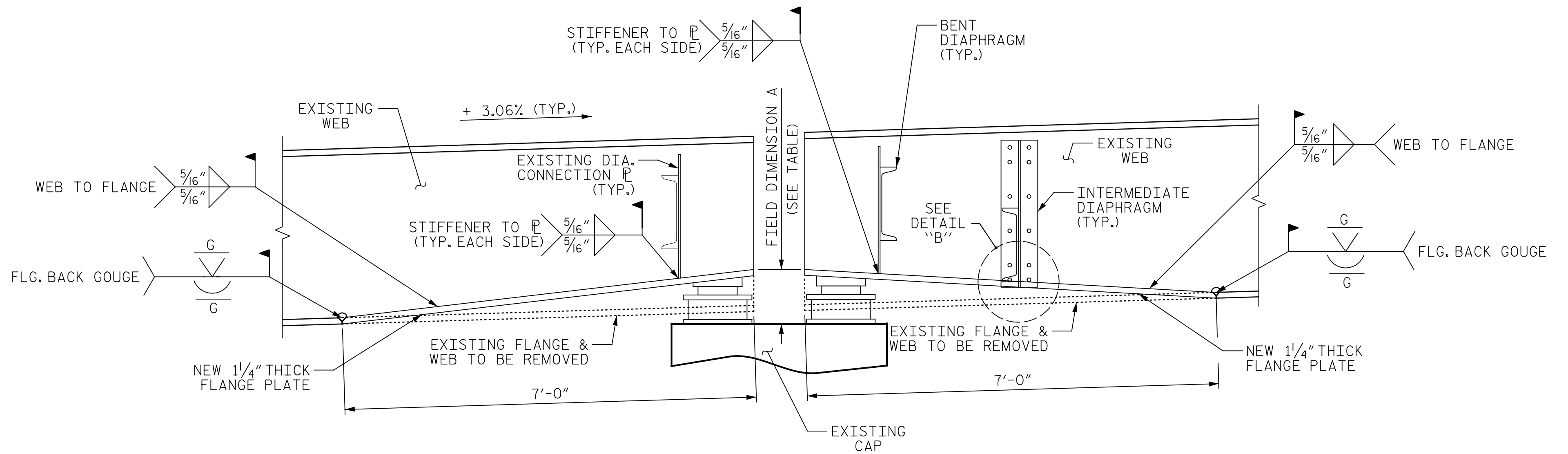
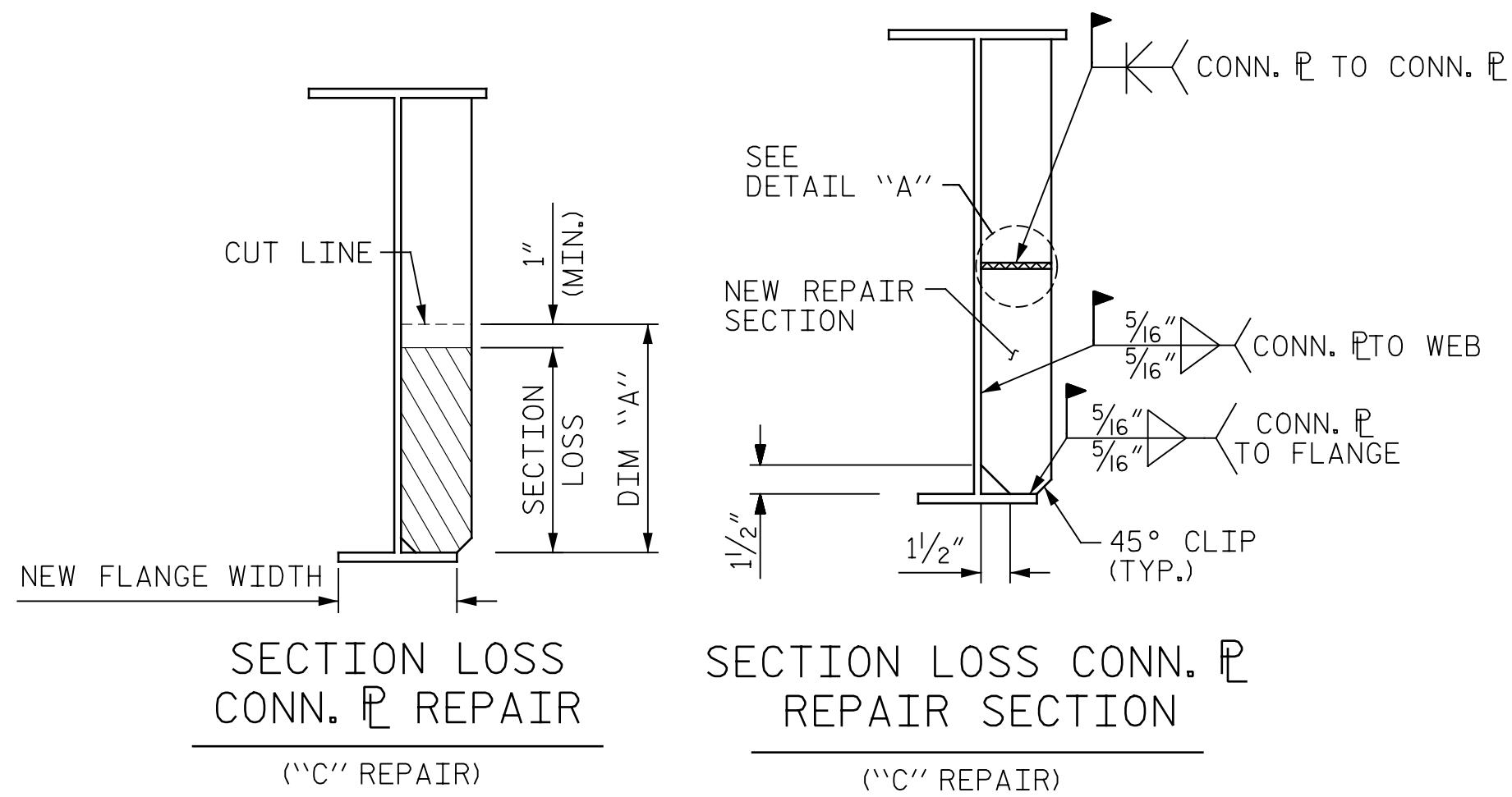


BEAM END DETAIL FOR BENT 1 SPAN A
AND BENT 2 SPAN B
BEAM END DETAIL FOR BENT 1 SPAN B
AND BENT 2 SPAN C ARE OPPOSITE HAND

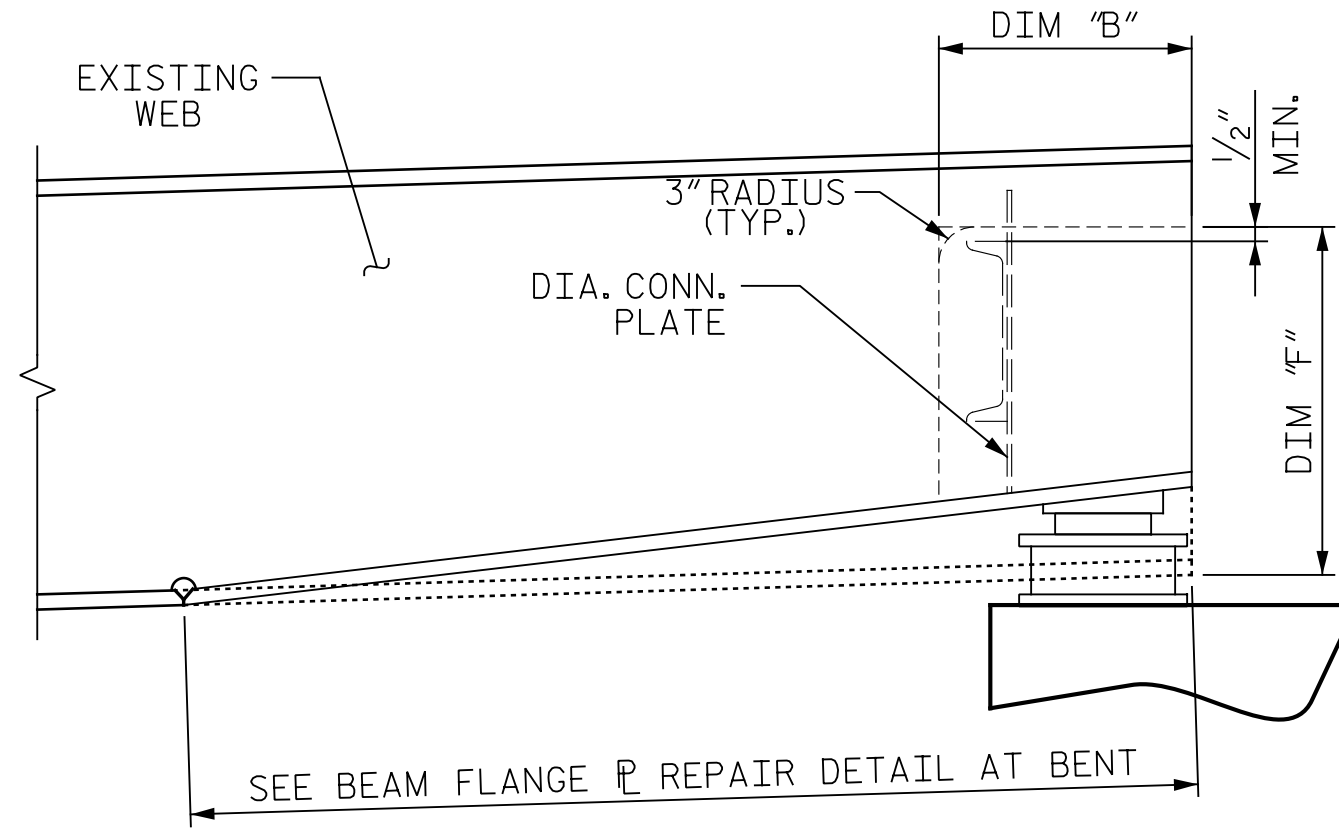
BOTTOM FLANGE DETAILS



TAPERED FLANGE REPAIR DETAIL FOR BEAMS 2-5
(“BE” REPAIR)

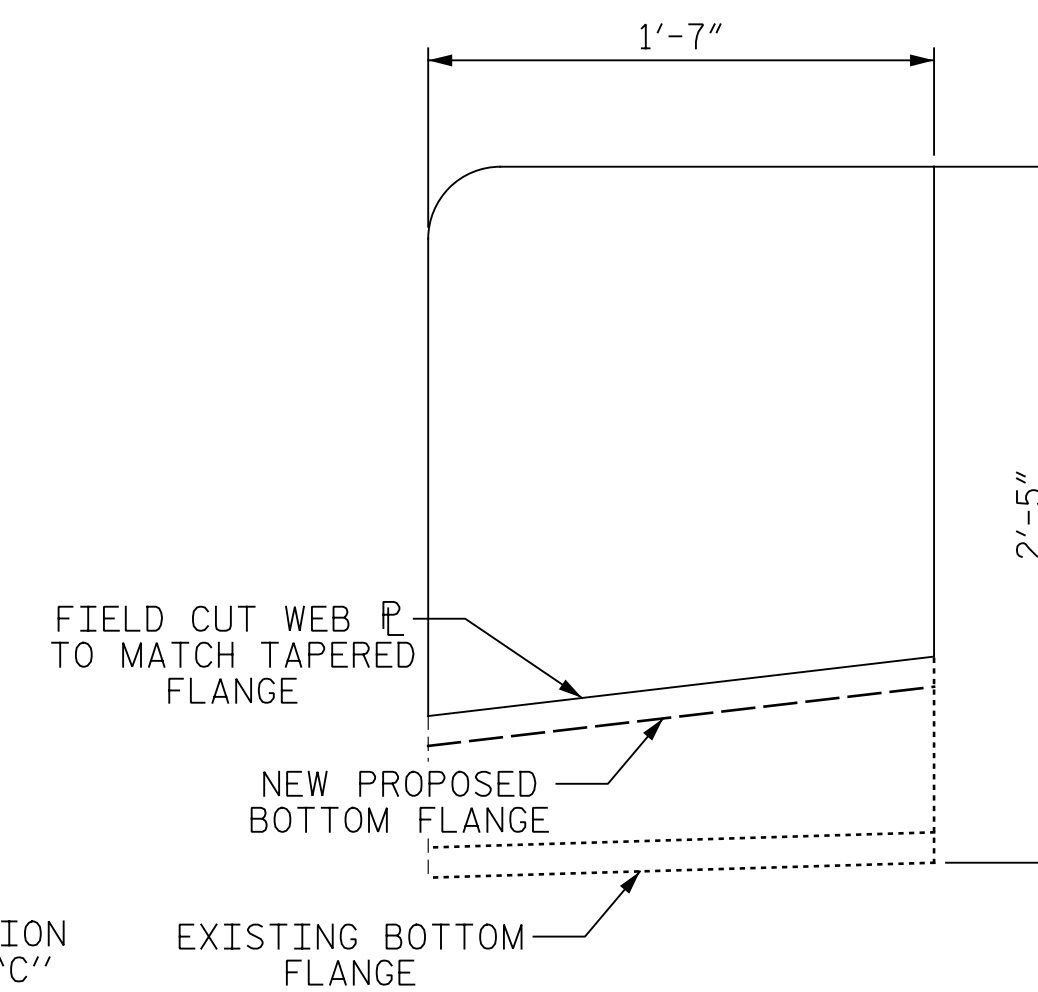


SECTION LOSS CONN. P REPAIR SECTION
(“C” REPAIR)



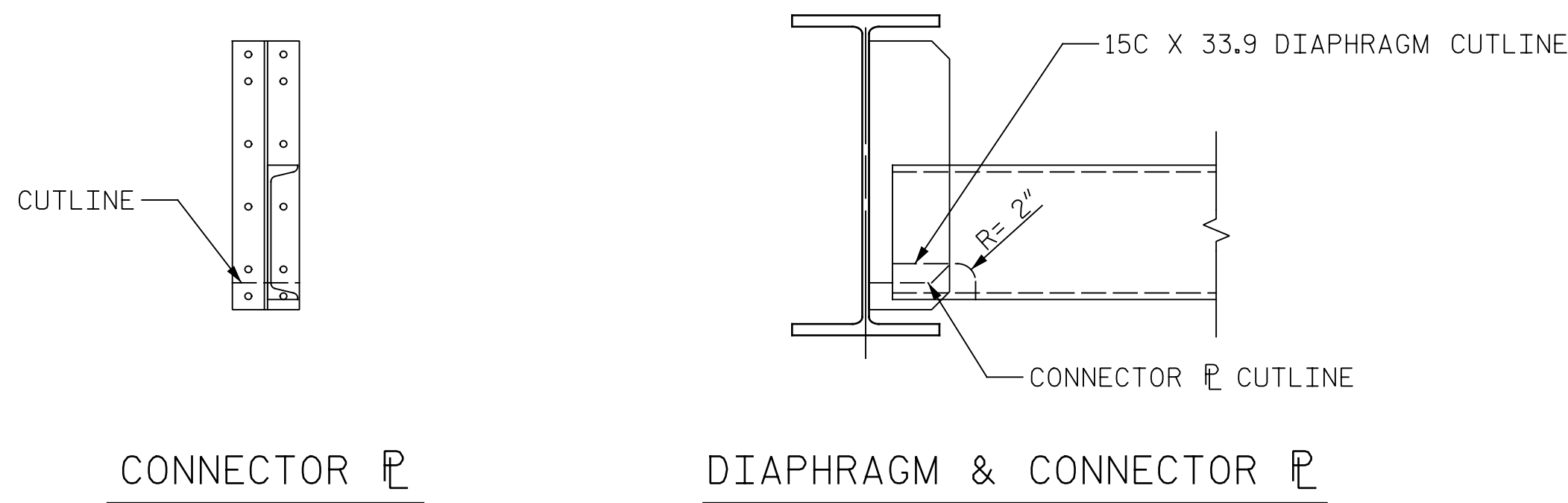
WEB & TAPERED FLANGE REPAIR DETAIL
(“BE” REPAIR)

ANTICIPATED BEAM FLANGE REPAIR LOCATIONS			
SPAN	BEAM	LOCATION	FIELD DIM "A"
A	2-5	BENT 1	11 3/16"
B	2-5	BENT 1	10 9/16"
B	2-5	BENT 2	11 3/16"
C	2-5	BENT 2	10 9/16"

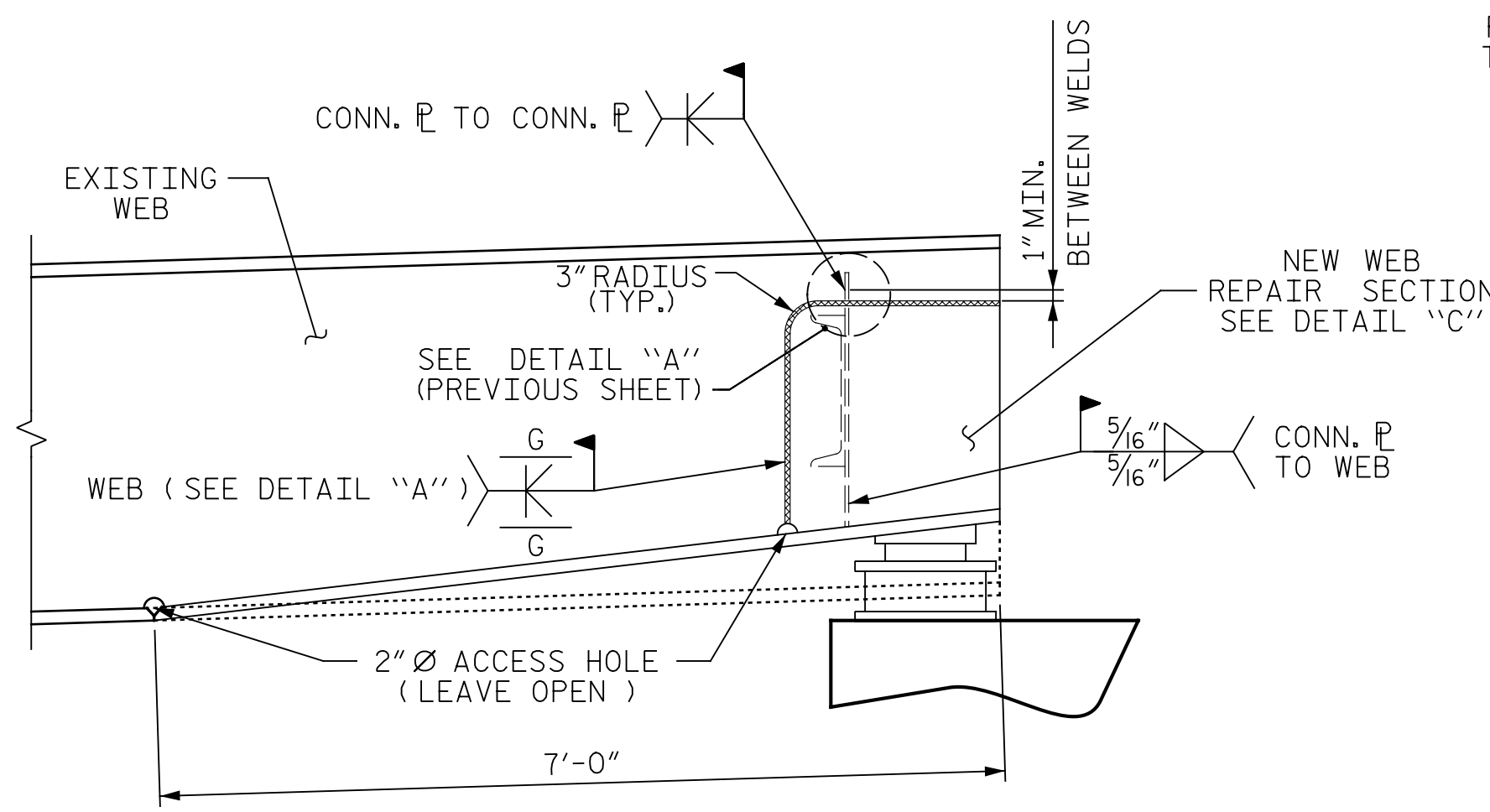


DETAIL "C"

PROJECT NO. I-5889A
BUNCOMBE COUNTY
BRIDGE NO. 378



DETAIL B - STEEL DIAPHRAGM MODIFICATION
(AT INTERMEDIATE DIAPHRAGMS)



TYPICAL BEAM WEB REPAIR DETAIL
(“BE” REPAIR)



DocuSigned by:
Eric B. Nelson
11/20/2017

DRAWN BY: J. BOYER DATE: 10/2017
CHECKED BY: R. NELSON DATE: 10/2017

PLANS PREPARED BY:
Gannett Fleming
Excellence Delivered As Promised
2610 Wycliff Road
Suite 102
Raleigh, NC 27607-3073
(919) 420-7660
NC Lic. No. F-0270

DOCUMENT NOT CONSIDERED FINAL UNLESS ALL SIGNATURES COMPLETED

REVISIONS				SHEET NO.	
NO.	BY:	DATE:	NO.	BY:	DATE:
1			3		
2			4		

S-194
TOTAL SHEETS 208