

**NOTES**

THE EXISTING BEARINGS DETERMINED FOR REPLACEMENT SHALL BE REMOVED AND REPLACED WITH BEARINGS AS SHOWN.

AT ALL POINTS OF SUPPORT, NUTS FOR ANCHOR BOLTS ARE TO BE TIGHTENED FINGER TIGHT AND THEN BACKED OFF 1 TURN. THE THREAD OF THE NUT AND BOLT SHALL THEN BE BURRED WITH A SHARP POINTED TOOL.

SOLE PLATES, ANCHOR BOLTS, NUTS AND WASHERS SHALL BE GALVANIZED IN ACCORDANCE WITH THE STANDARD SPECIFICATIONS.

ANCHOR BOLTS SHALL MEET THE REQUIREMENTS OF ASTM A449. NUTS SHALL MEET THE REQUIREMENTS OF AASHTO M291-DH OR AASHTO M292-2H. WASHERS SHALL MEET THE REQUIREMENTS OF AASHTO M293. SHOP DRAWINGS ARE NOT REQUIRED FOR ANCHOR BOLTS, NUTS AND WASHERS. SHOP INSPECTION IS REQUIRED.

ALL WELDING SHALL BE IN ACCORDANCE WITH CURRENT APPLICABLE AWS AND NCDOT STANDARD SPECIFICATIONS.

ALL WELDS WILL BE INSPECTED AND TESTED BY THE NCDOT MATERIALS AND TEST UNIT IN ACCORDANCE WITH THE CURRENT AWS BRIDGE WELDING CODE AND STANDARD SPECIFICATIONS.

ALL SURFACES OF BEARING PLATES SHALL BE SMOOTH AND STRAIGHT.

THE CONTRACTOR SHALL CORE INTO EXISTING BENT CAP TO INSTALL 1 3/4" Ø ANCHOR BOLTS. BOLTS SHALL BE ADHESIVELY ANCHORED; SEE STANDARD SPECIFICATIONS. ADHESIVE FOR NEW ANCHOR BOLTS SHALL BE AN NCDOT-APPROVED PRODUCT. FIELD TESTING WILL NOT BE REQUIRED FOR INSTALLATION OF ADHESIVELY ANCHORED BOLTS.

EMBEDMENT DEPTH OF ANCHOR BOLT SHALL BE 9" OR THE DEPTH RECOMMENDED BY THE ADHESIVE MANUFACTURER TO ATTAIN PULL-OUT STRENGTH OF THE TEST LOAD GIVEN BELOW, WHICHEVER DEPTH IS GREATER.

NEW ADHESIVELY ANCHORED BOLTS SHALL BE SUBJECT TO LEVEL 1 FIELD TESTING, IN ACCORDANCE WITH STANDARD SPECIFICATION ARTICLE 420-13 (C), EXCEPT THAT THE YIELD LOAD SHALL BE 30,000 LBS. TENSION FOR 1 3/4" ANCHOR BOLTS.

FIELD TESTING IS NOT REQUIRED.

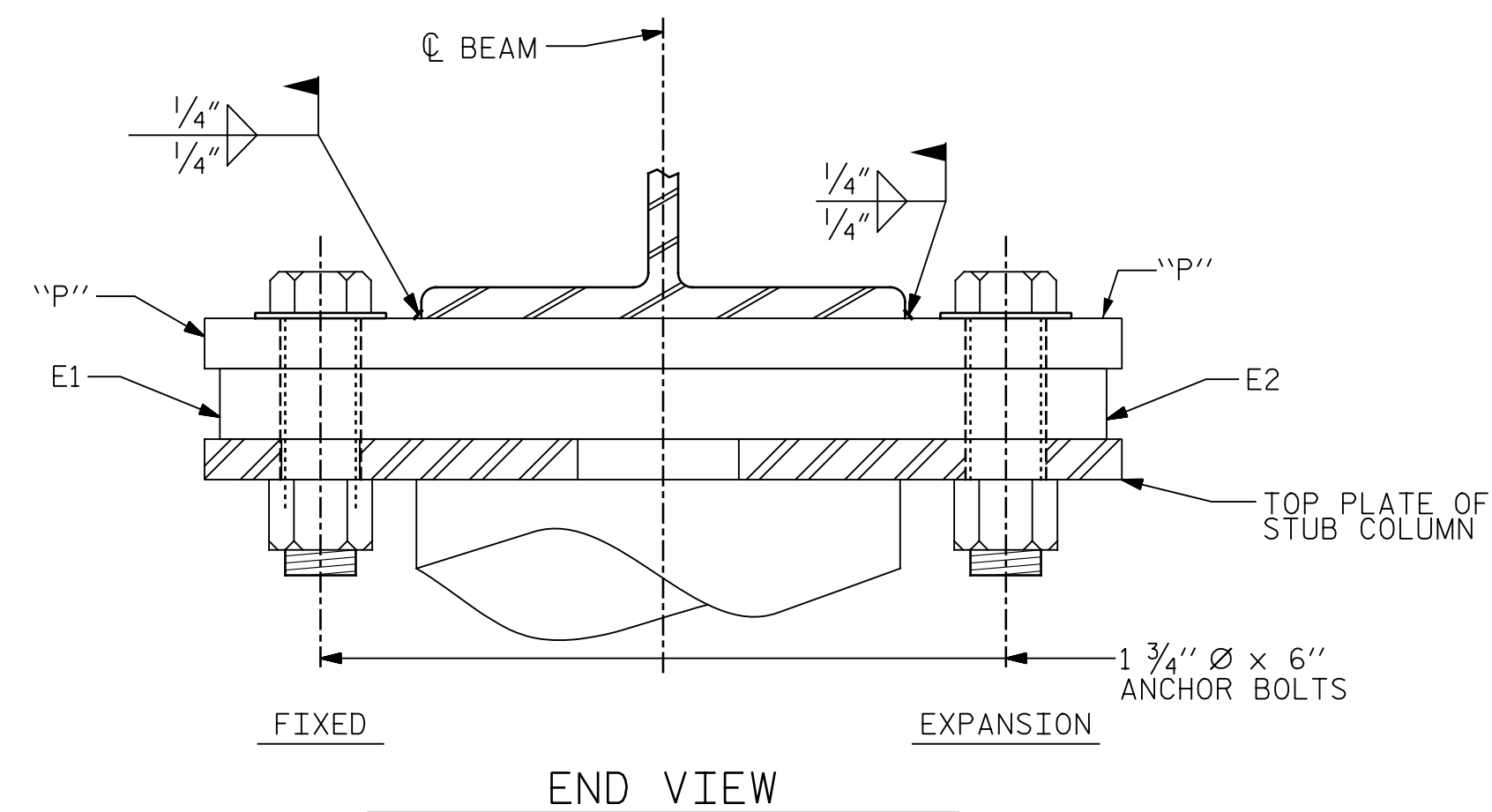
THE ELASTOMER IN THE STEEL REINFORCED BEARINGS SHALL HAVE A SHEAR MODULUS OF 0.160 KSI, IN ACCORDANCE WITH AASHTO M251.

FOR FIELD MEASURING, SEE SPECIAL PROVISIONS.

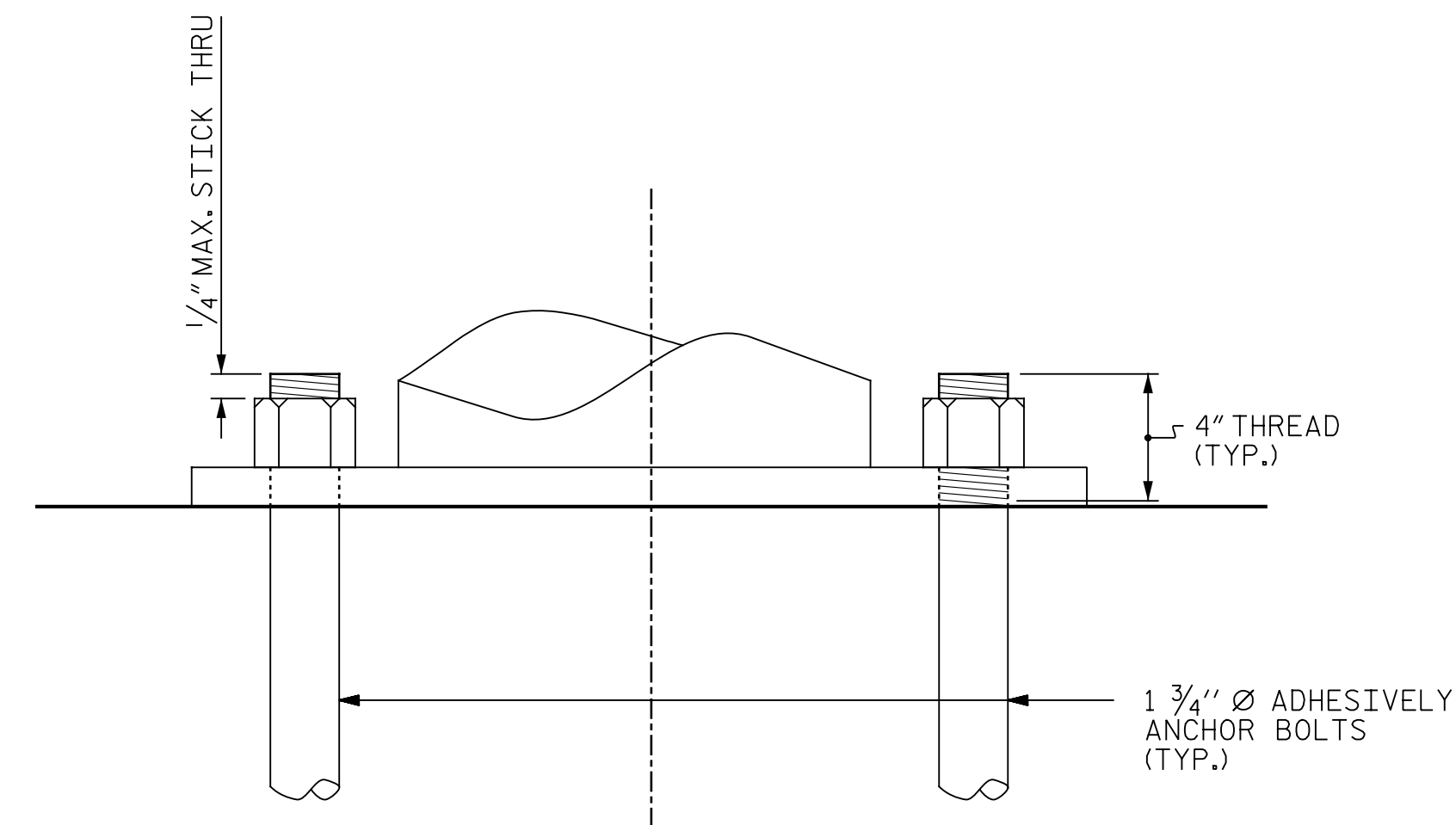
FOR STEEL REINFORCED ELASTOMERIC BEARINGS, SEE SPECIAL PROVISIONS.

FOR MODIFIED ELASTOMERIC BEARINGS, SEE SPECIAL PROVISIONS.

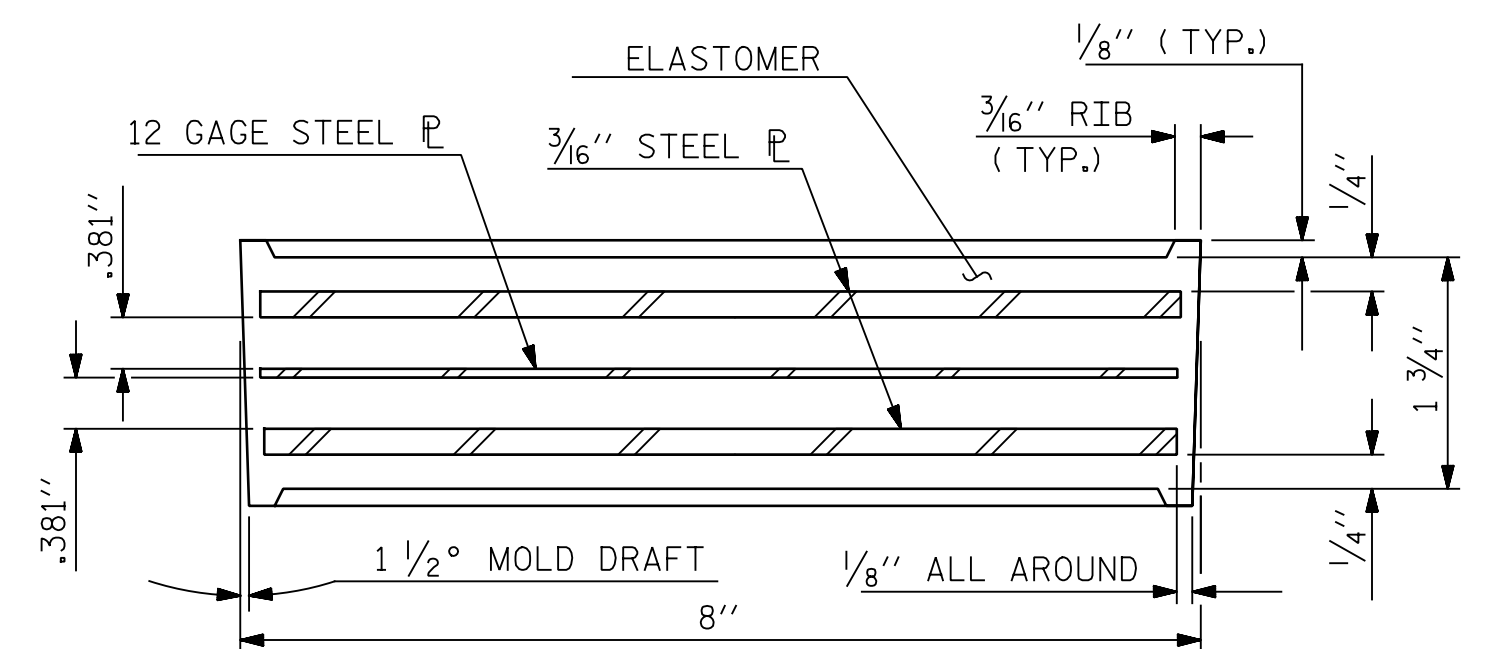
LOAD RATING	
	MAX. DL+LL
TYPE I	140 KIPS



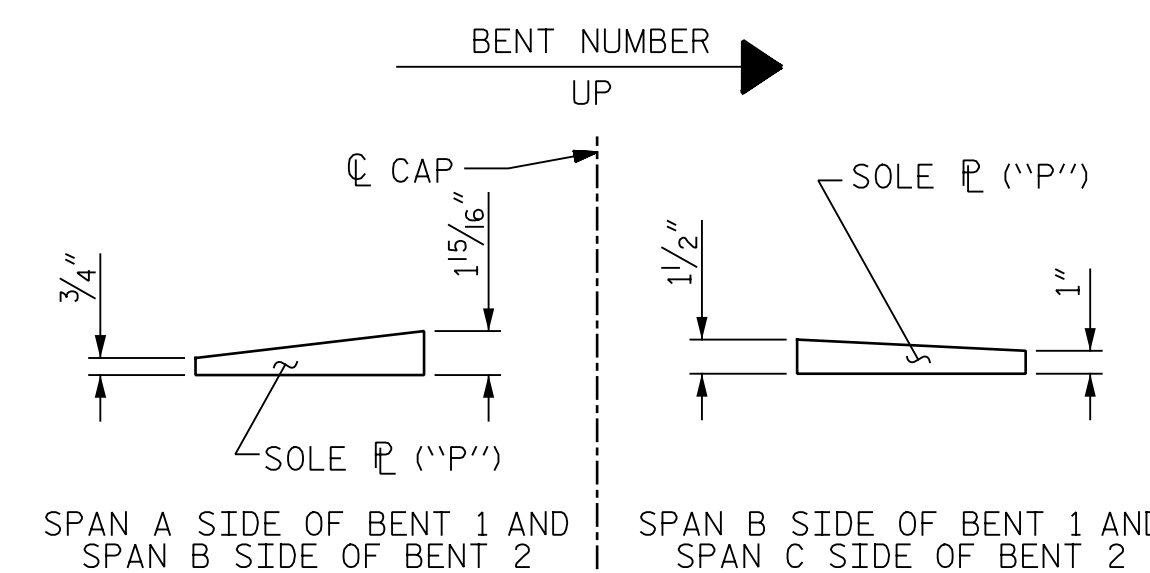
END VIEW



STUB COLUMN ANCHOR BOLTS



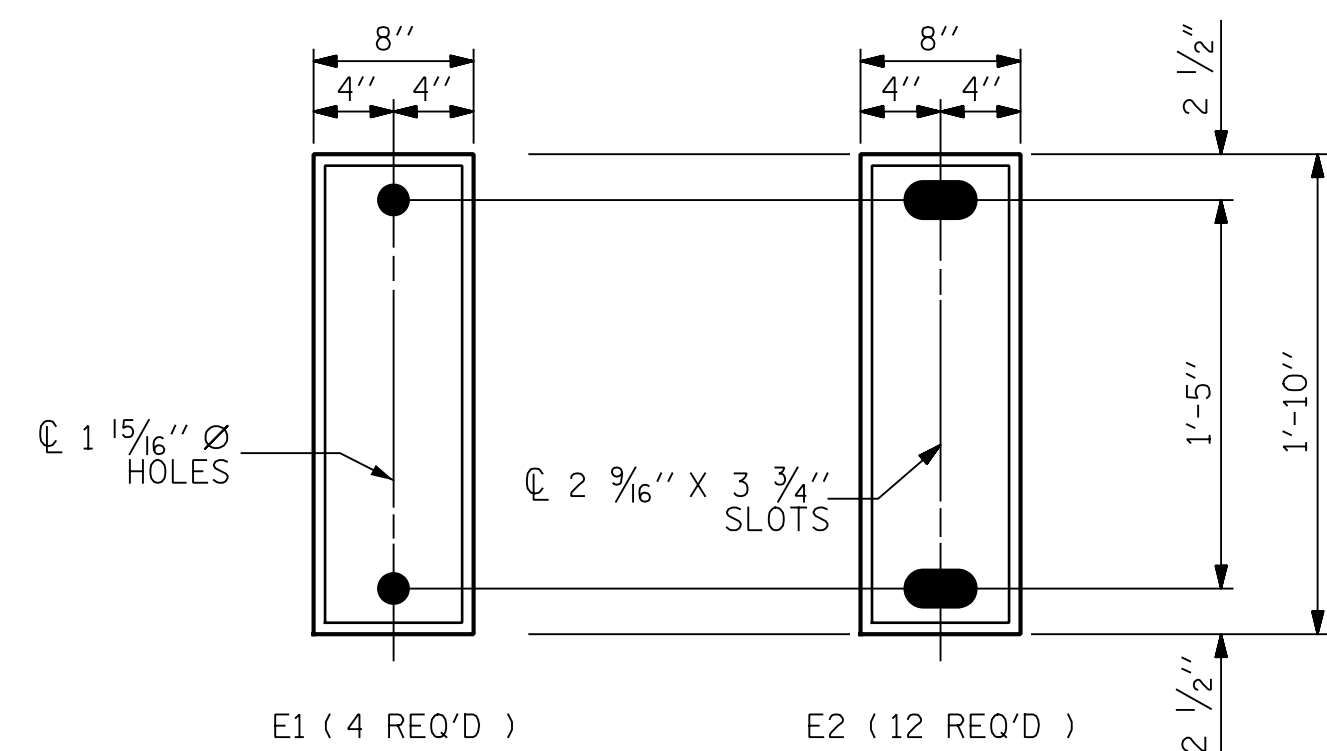
TYPICAL SECTION OF ELASTOMERIC BEARINGS



P1 (4 REQ'D)

P2 (12 REQ'D)

SOLE PLATE DETAILS ('P')



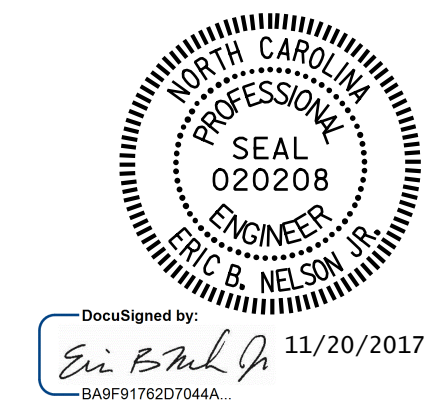
PLAN VIEW OF ELASTOMERIC BEARING

TYPE I

DRAWN BY: M.A. LEE DATE: 10/2017  
 CHECKED BY: R. NELSON DATE: 10/2017

PLANS PREPARED BY:  
**Gannett Fleming**  
 Excellence Delivered As Promised  
 2610 Wycliff Road  
 Suite 102  
 Raleigh, NC 27607-3073  
 (919) 420-7660  
 NC Lic. No. F-0270

DOCUMENT NOT CONSIDERED FINAL UNLESS ALL SIGNATURES COMPLETED



PROJECT NO. I-5889A  
BUNCOMBE COUNTY  
 BRIDGE NO. 377

STATE OF NORTH CAROLINA DEPARTMENT OF TRANSPORTATION RALEIGH					
ELASTOMERIC BEARINGS DETAILS BEAM 2-5					
REVISIONS					SHEET NO.
NO.	BY:	DATE:	NO.	BY:	DATE:
1			3		
2			4		
					TOTAL SHEETS 208
					S-179