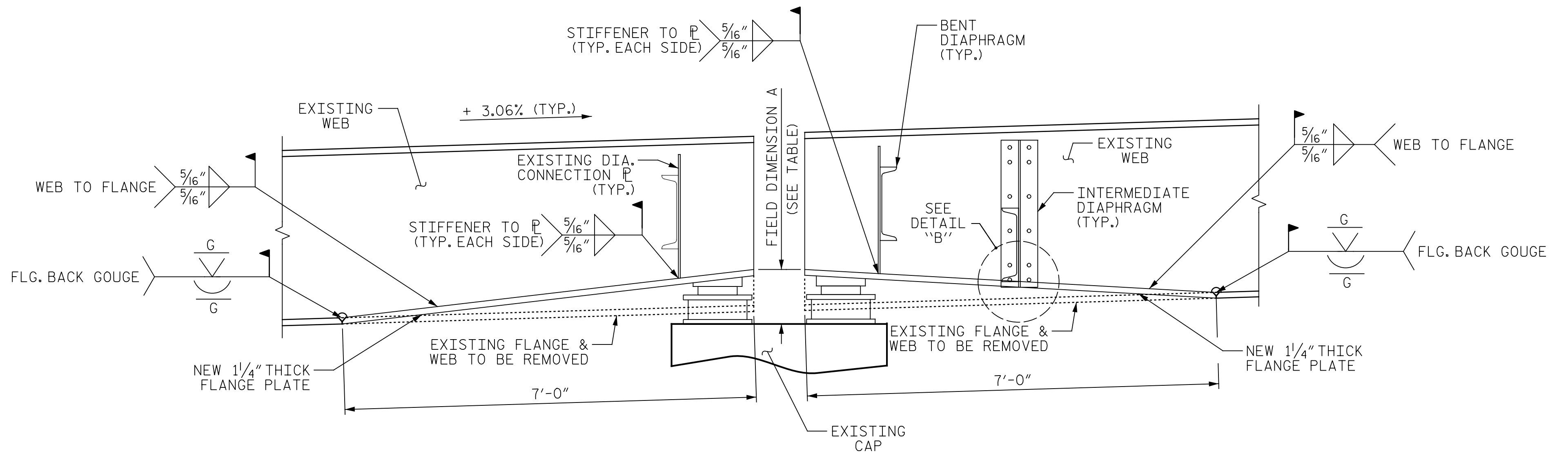
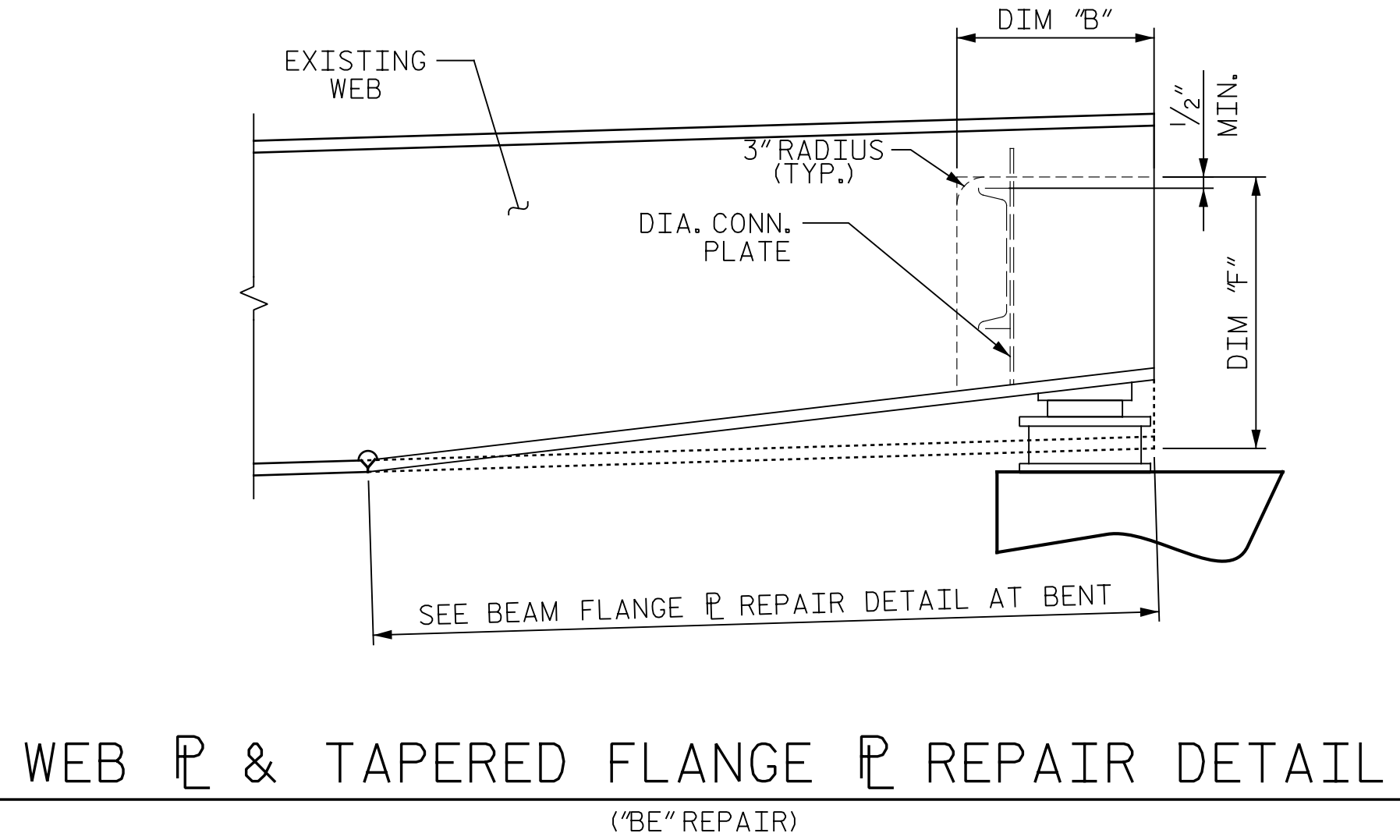
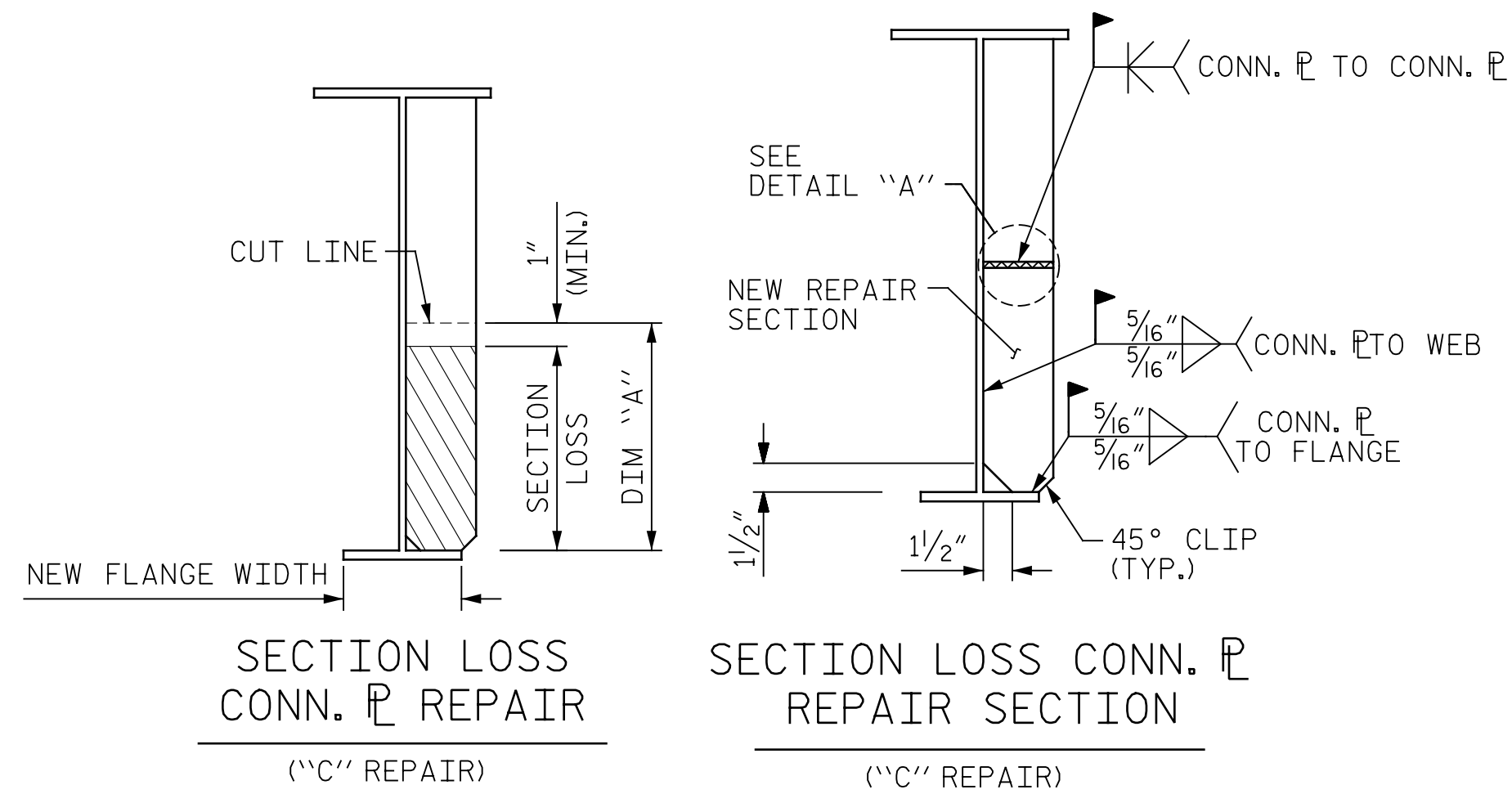


BEAM END DETAIL FOR BENT 1 SPAN A  
AND BENT 2 SPAN B  
BEAM END DETAIL FOR BENT 1 SPAN B  
AND BENT 2 SPAN C ARE OPPOSITE HAND

**BOTTOM FLANGE DETAILS**

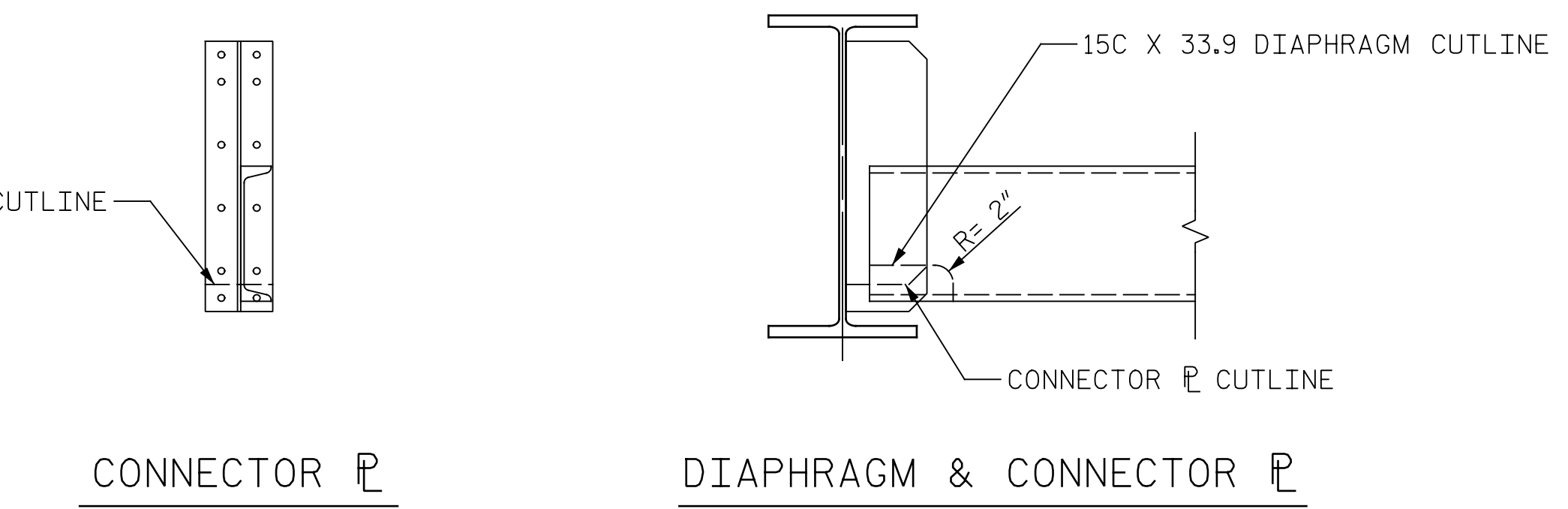


**TAPERED FLANGE REPAIR DETAIL FOR BEAMS 2-5**  
(“BE” REPAIR)

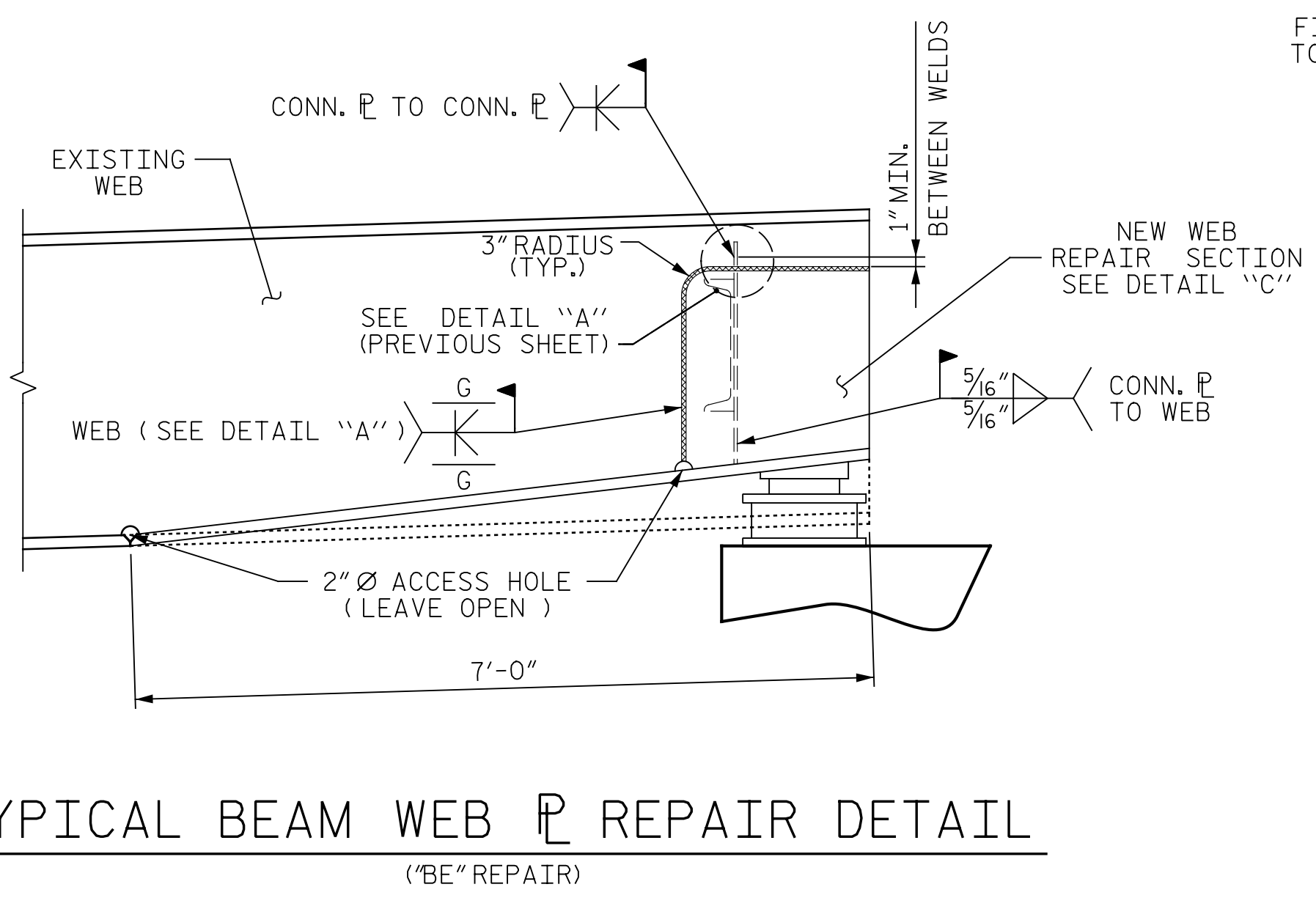


**WEB & TAPERED FLANGE REPAIR DETAIL**  
(“BE” REPAIR)

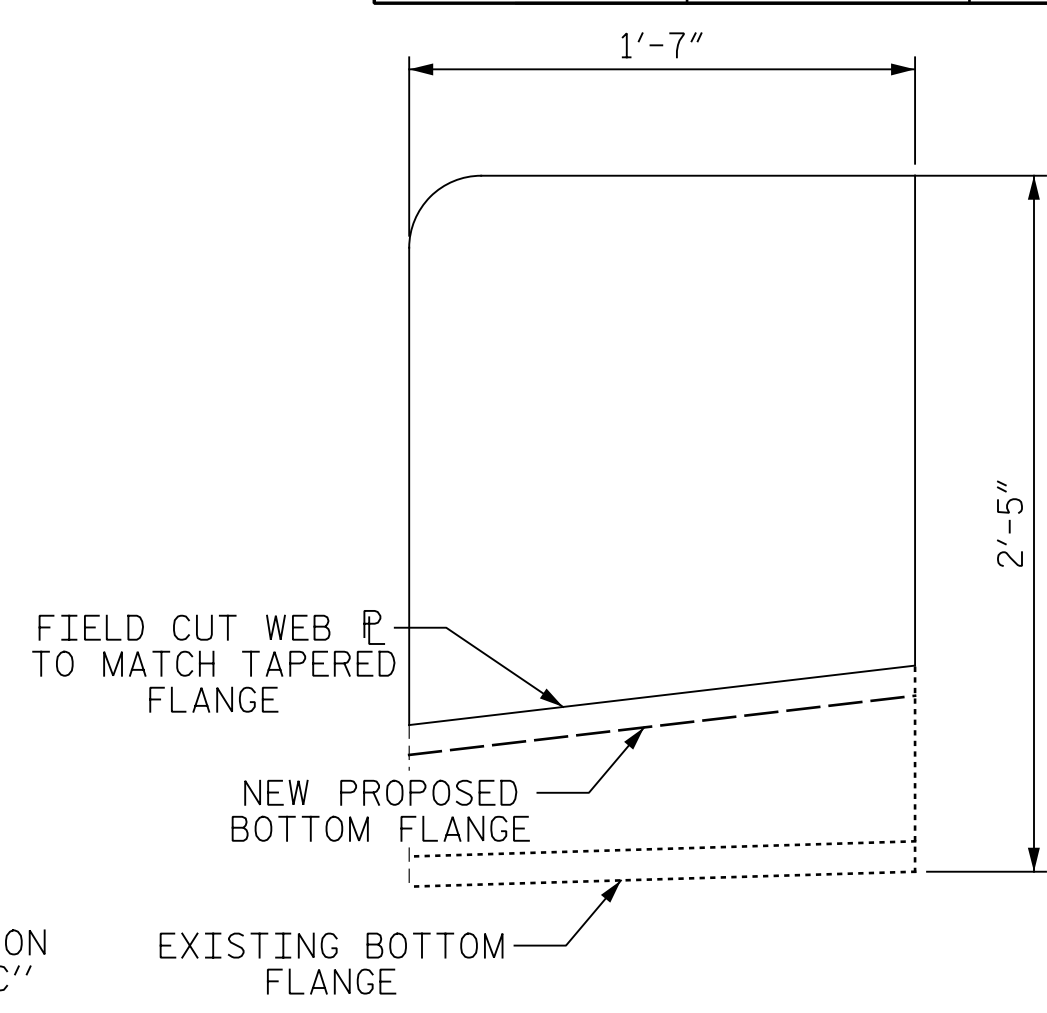
ANTICIPATED BEAM FLANGE REPAIR LOCATIONS			
SPAN	BEAM	LOCATION	FIELD DIM "A"
A	2-5	BENT 1	11 3/16"
B	2-5	BENT 1	10 9/16"
B	2-5	BENT 2	11 3/16"
C	2-5	BENT 2	10 9/16"



**DETAIL B - STEEL DIAPHRAGM MODIFICATION**  
(AT INTERMEDIATE DIAPHRAGMS)



**TYPICAL BEAM WEB REPAIR DETAIL**  
(“BE” REPAIR)



**DETAIL "C"**

PROJECT NO. I-5889A  
BUNCOMBE COUNTY  
BRIDGE NO. 377



STATE OF NORTH CAROLINA  
DEPARTMENT OF TRANSPORTATION  
RALEIGH

**BEAMS 2-5  
BEAM END REPAIR  
DETAILS**

DRAWN BY: J. BOYER DATE: 10/2017  
CHECKED BY: R. NELSON DATE: 10/2017

PLANS PREPARED BY:  
**Gannett Fleming**  
Excellence Delivered As Promised

2610 Wycliff Road  
Suite 102  
Raleigh, NC 27607-3073  
(919) 420-7660  
[NC Lic. No. F-0270]

DOCUMENT NOT CONSIDERED  
FINAL UNLESS ALL  
SIGNATURES COMPLETED

REVISIONS				SHEET NO.	
NO.	BY:	DATE:	NO.	BY:	DATE:
1			3		
2			4		

TOTAL SHEETS: 208