



**NOTES:**

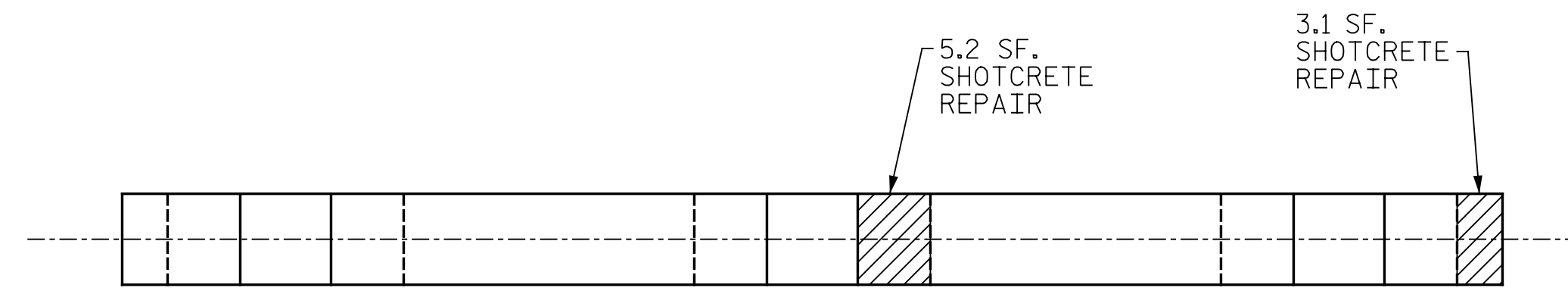
REPAIR LOCATIONS AND ESTIMATE OF QUANTITIES ARE GIVEN WITH THE BEST INFORMATION AVAILABLE. IF ADDITIONAL REPAIRS NOT SHOWN ON THE DRAWINGS ARE DEEMED NECESSARY BY THE INSPECTOR OR ENGINEER THE CONTRACTOR SHALL NOTE ON THE DRAWINGS THE APPROXIMATE LOCATION AND DESCRIPTION OF THE REPAIRS AND ADJUST THE ACTUAL QUANTITIES ENTERED INTO THE REPAIR QUANTITY TABLE.

SHOTCRETE REPAIRS MAY BE REPLACED WITH CONCRETE REPAIRS WITH THE APPROVAL OF THE ENGINEER.

FOR SHOTCRETE REPAIRS, SEE SPECIAL PROVISIONS.

FOR CONCRETE REPAIR DETAILS, SEE "TYPICAL CAP & COLUMN REPAIR DETAILS" SHEET.

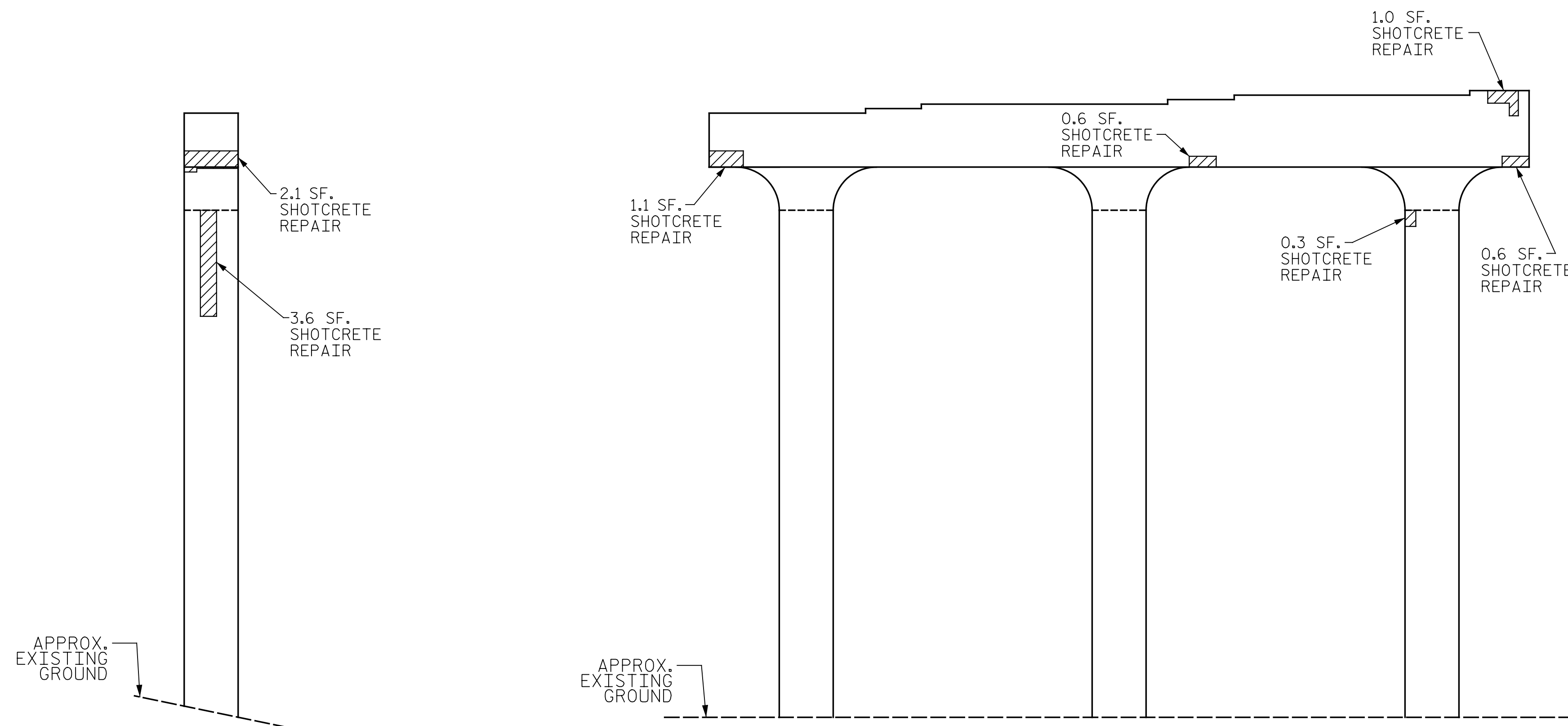
-  - SHOTCRETE REPAIR
-  - CONCRETE REPAIR



SPAN B

SPAN C

BOTTOM OF CAP



ELEVATION  
(EAST FACE)

BENT 2  
(SPAN C SIDE)

END VIEW  
(SOUTH FACE)

PROJECT NO. I-5889A  
BUNCOMBE COUNTY  
BRIDGE NO. 369



DocuSigned by:  
*Eric B. Nelson* 11/16/2017  
B48F91782D7044A

STATE OF NORTH CAROLINA  
DEPARTMENT OF TRANSPORTATION  
RALEIGH

**BENT 2**  
**SPAN C FACE**

DRAWN BY : M.A. LEE DATE : 9/2017  
CHECKED BY : R. NELSON DATE : 10/2017

PLANS PREPARED BY:  
 **Gannett Fleming**  
Excellence Delivered *As Promised*

2610 Wycliff Road  
Suite 102  
Raleigh, NC 27607-3073  
(919) 420-7660  
[NC Lic. No. F-0270]

DOCUMENT NOT CONSIDERED  
FINAL UNLESS ALL  
SIGNATURES COMPLETED

REVISIONS						SHEET NO.
NO.	BY:	DATE:	NO.	BY:	DATE:	S-145
1			3			TOTAL SHEETS
2			4			208