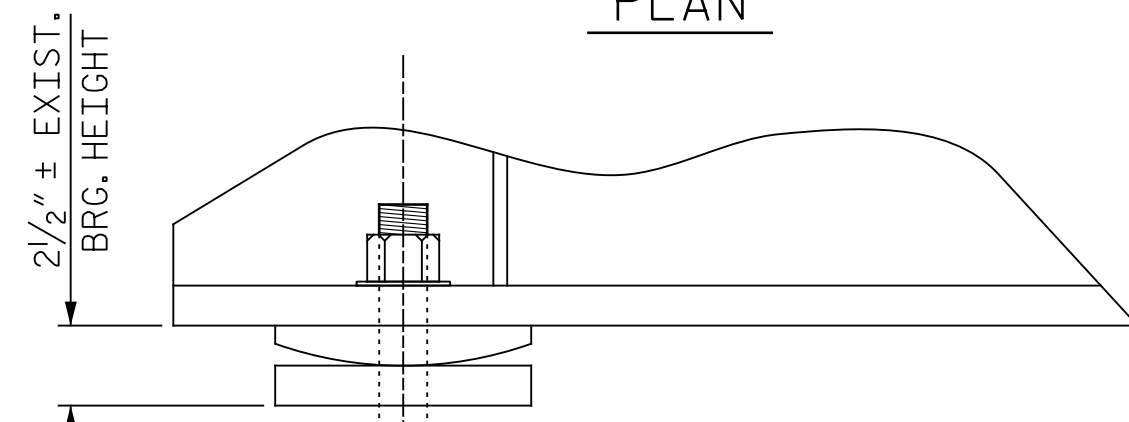
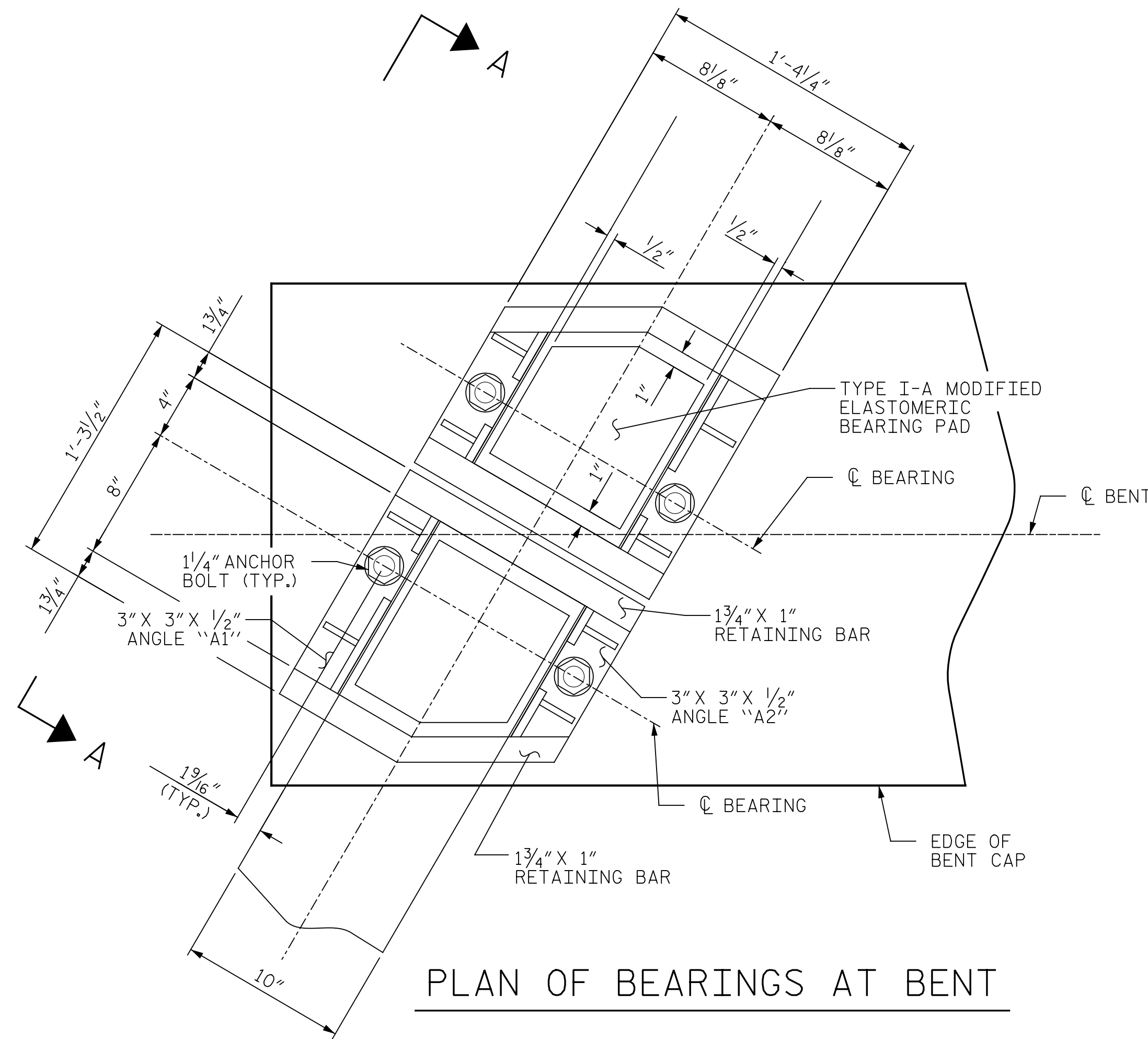


PLAN

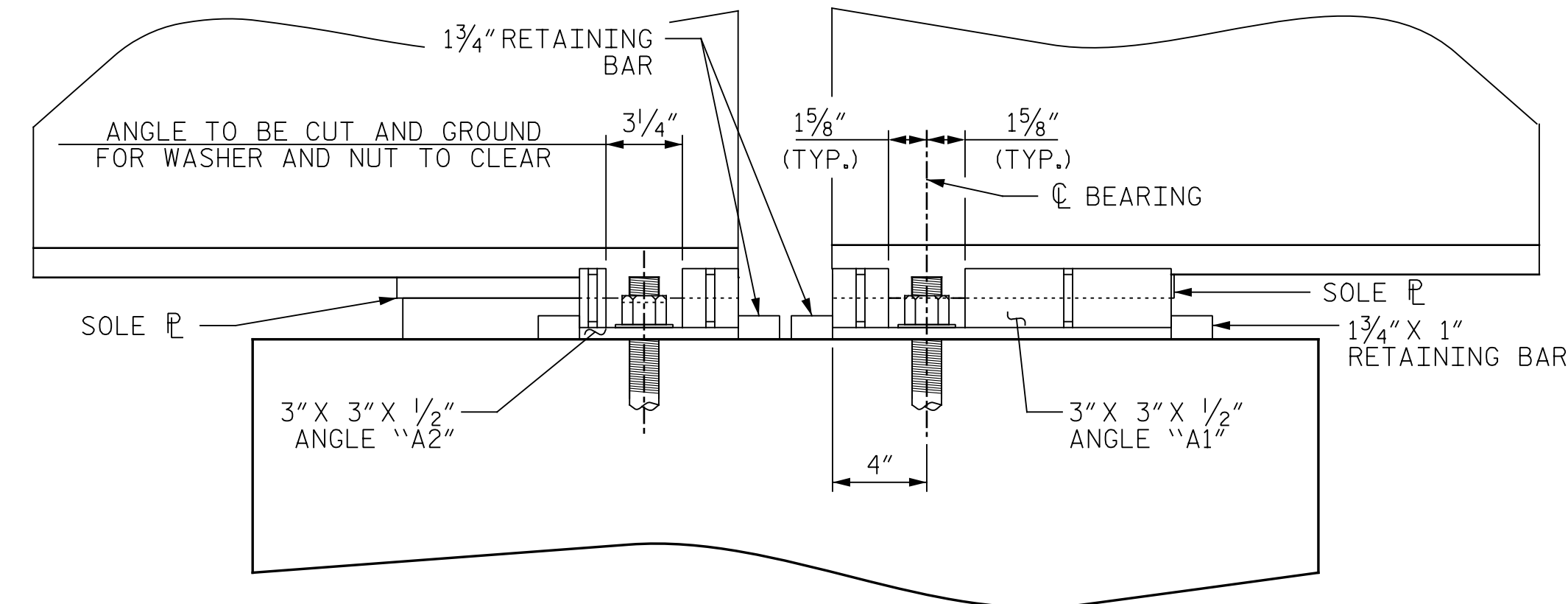


ELEVATION

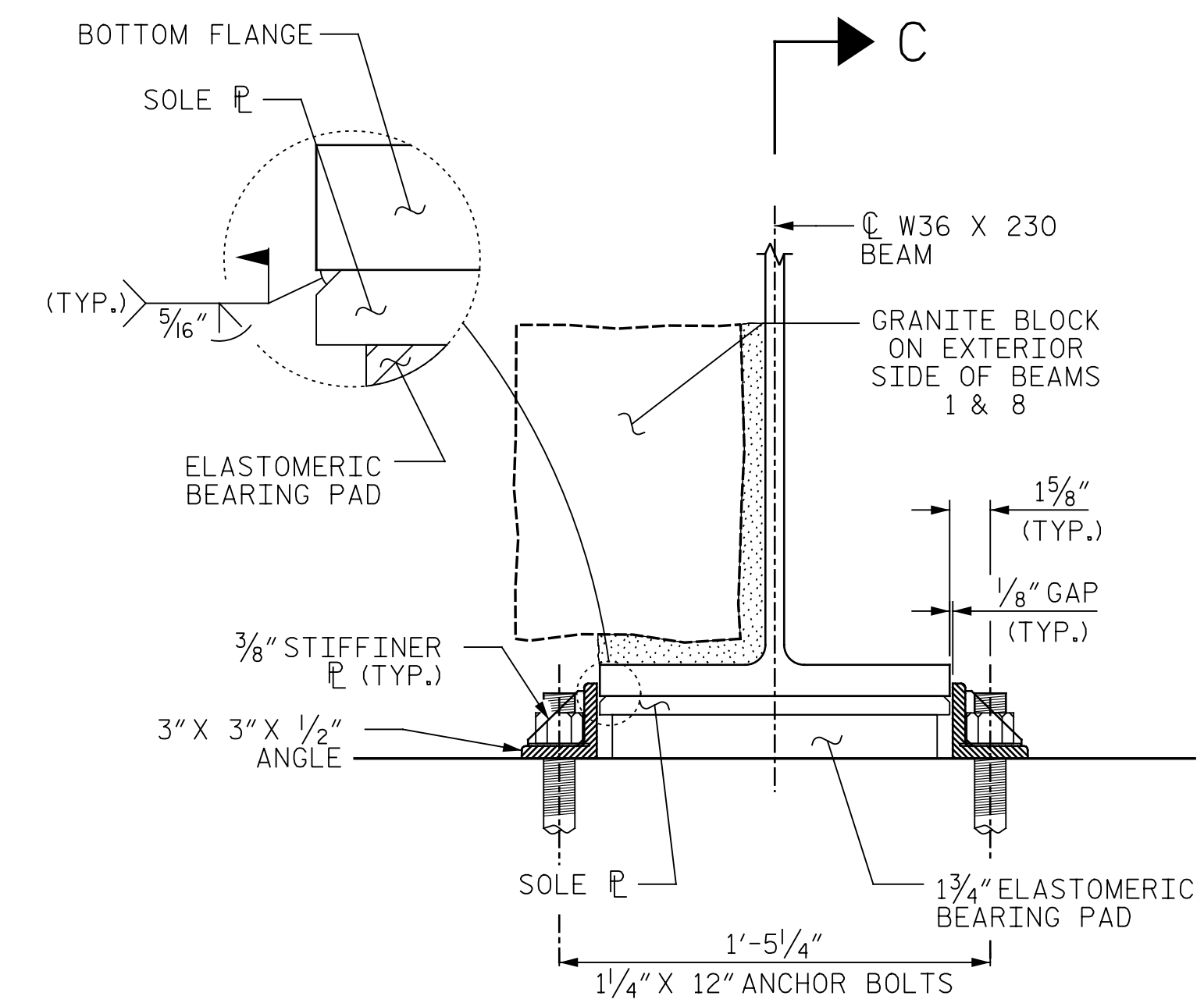
EXISTING BEARING DETAILS



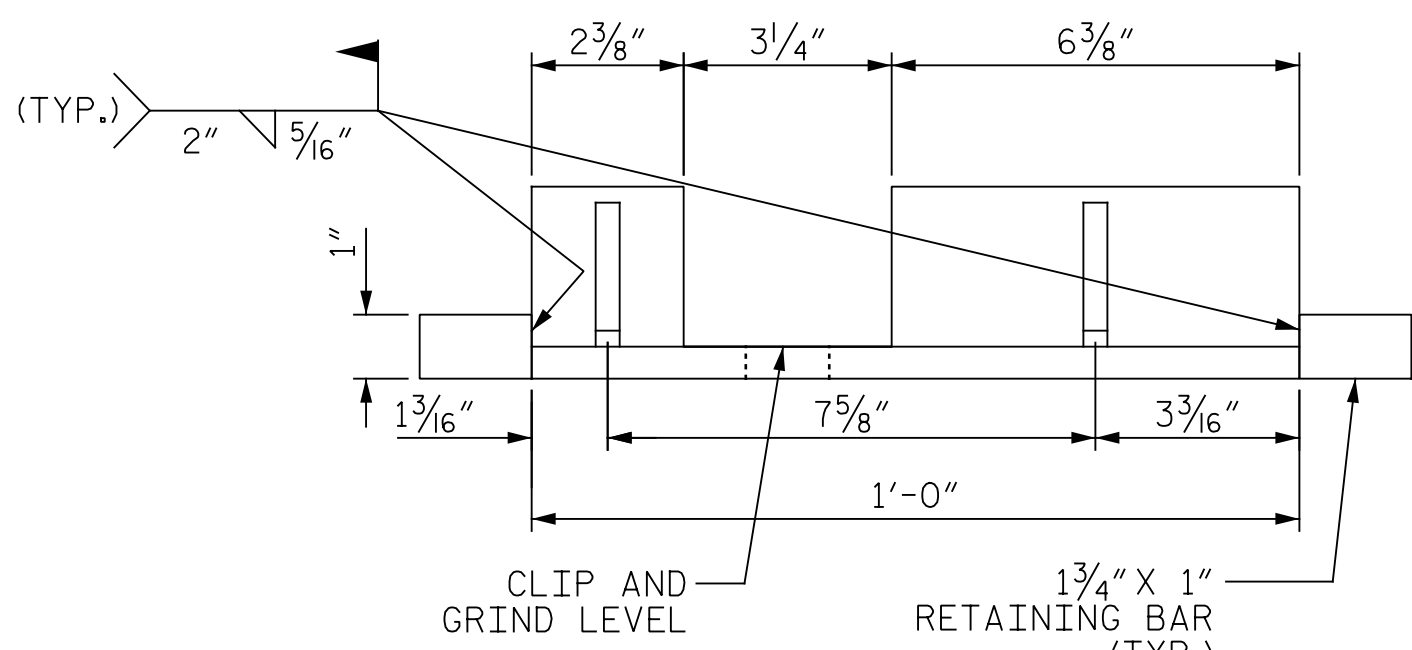
PLAN OF BEARINGS AT BENT



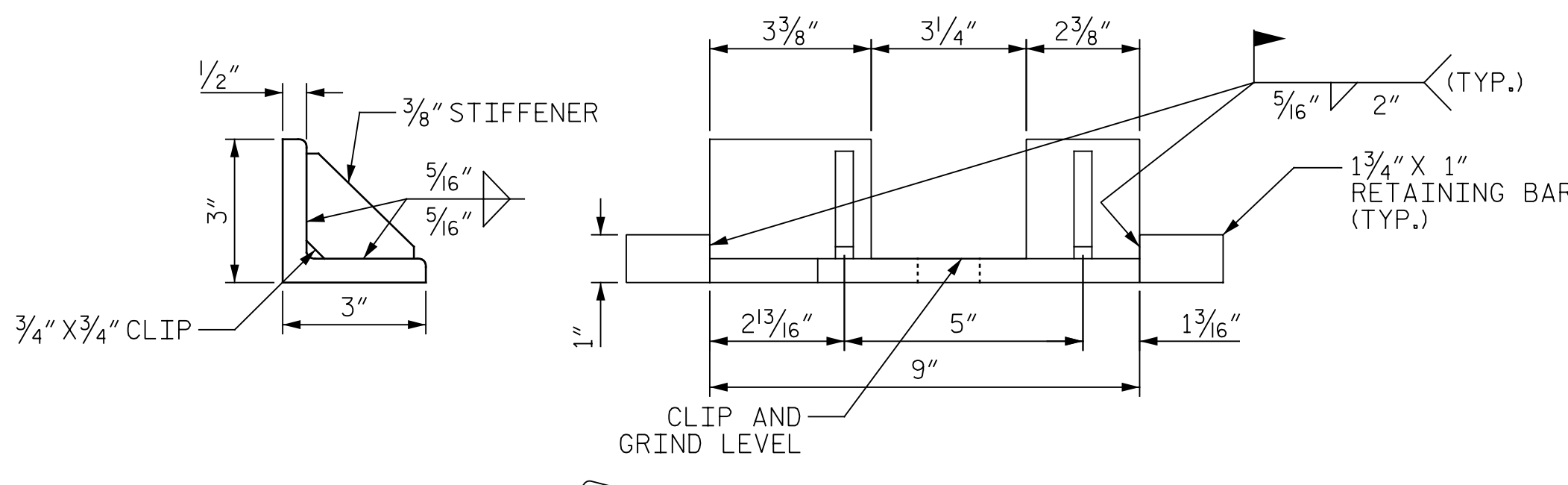
SECTION A-A



SECTION B-B

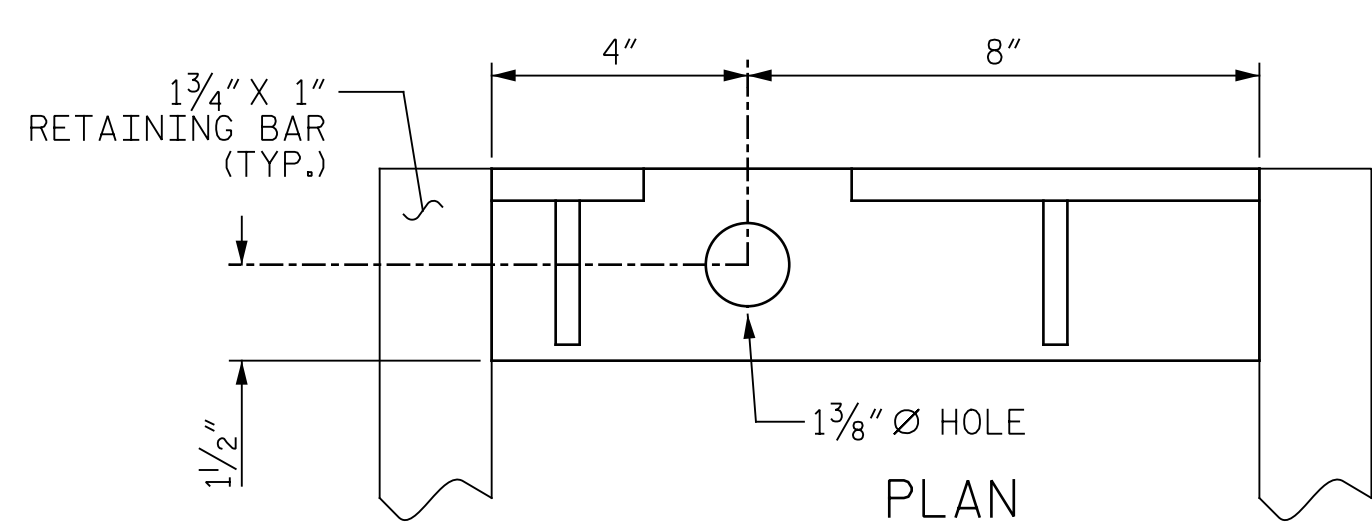


ELEVATION



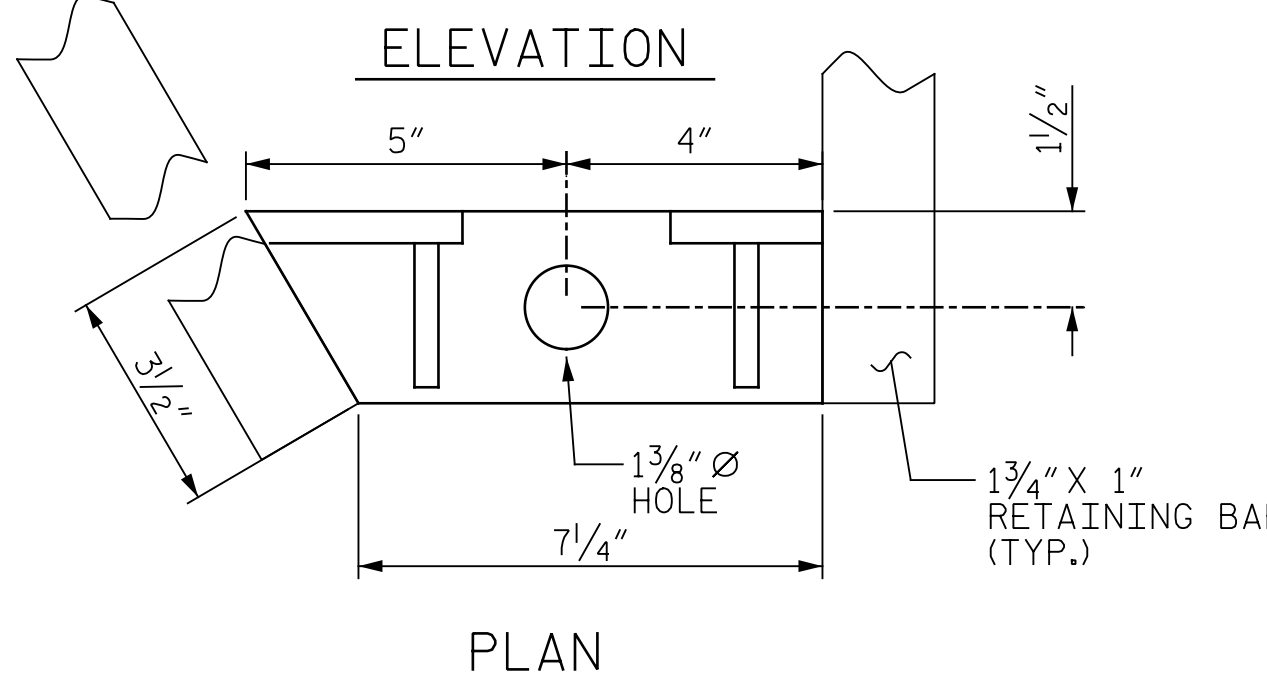
SIDE VIEW

ELEVATION



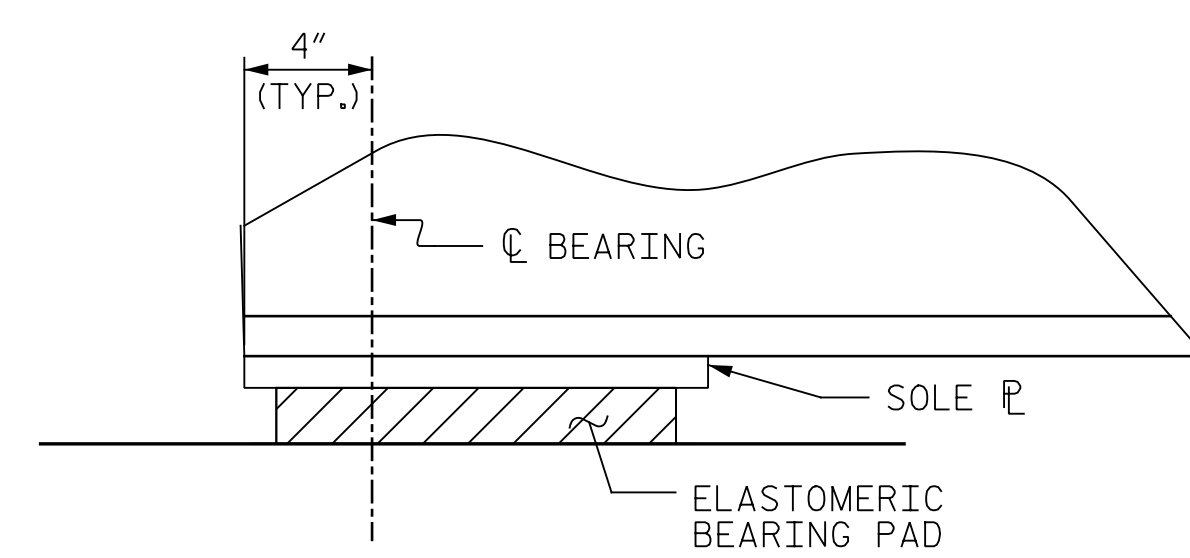
PLAN

"A1" ANGLE KEEPER



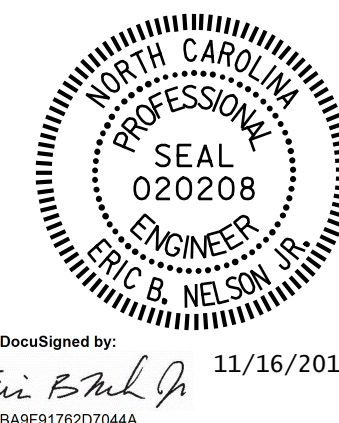
PLAN

"A2" ANGLE KEEPER



SECTION C-C

PROJECT NO. I-5889A
 BUNCOMBE COUNTY
 BRIDGE NO. 366



STATE OF NORTH CAROLINA
 DEPARTMENT OF TRANSPORTATION
 RALEIGH
 BEARING & KEEPER DETAILS

DRAWN BY: M.A.LEE DATE: 10/2017
 CHECKED BY: R.NELSON DATE: 10/2017

PLANS PREPARED BY:
Gannett Fleming
 Excellence Delivered As Promised
 2610 Wycliff Road
 Suite 102
 Raleigh, NC 27607-3073
 (919) 420-7660
 NC Lic. No. F-0270

DOCUMENT NOT CONSIDERED
 FINAL UNLESS ALL
 SIGNATURES COMPLETED

REVISIONS				SHEET NO.	
NO.	BY:	DATE:	NO.	BY:	DATE:
1			3		
2			4		

TOTAL SHEETS: 208