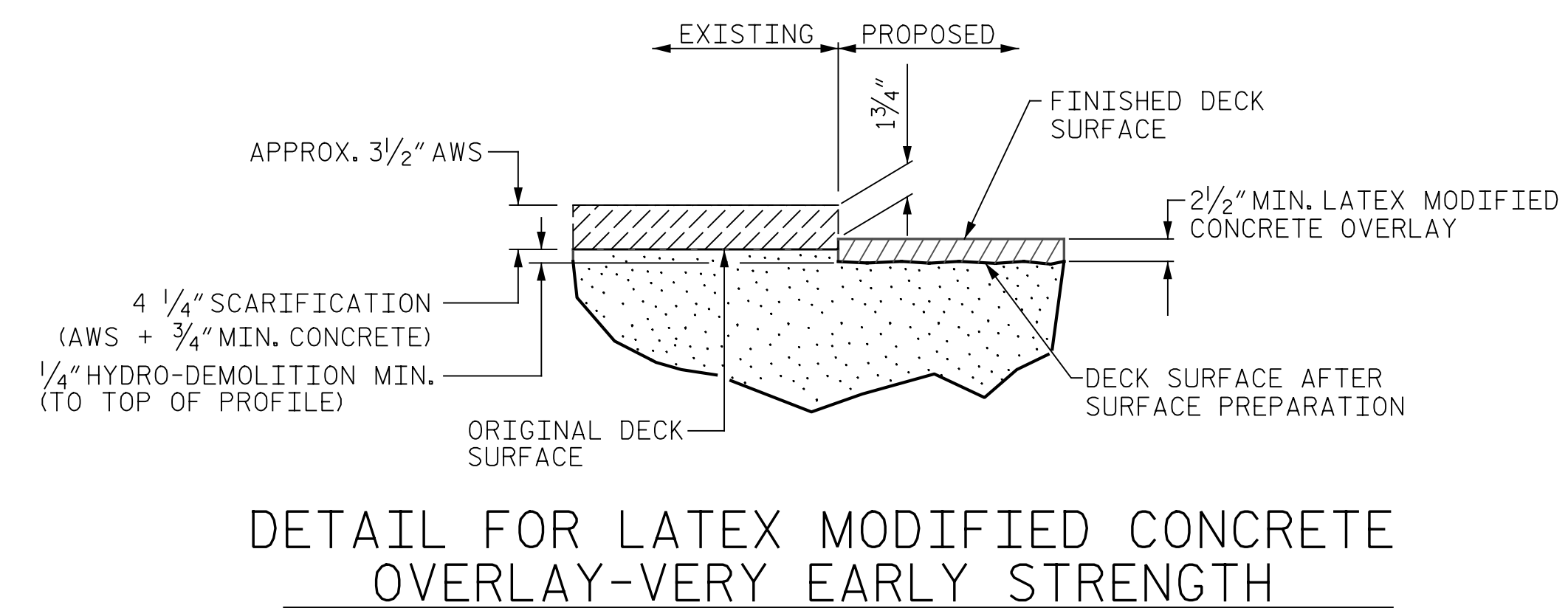
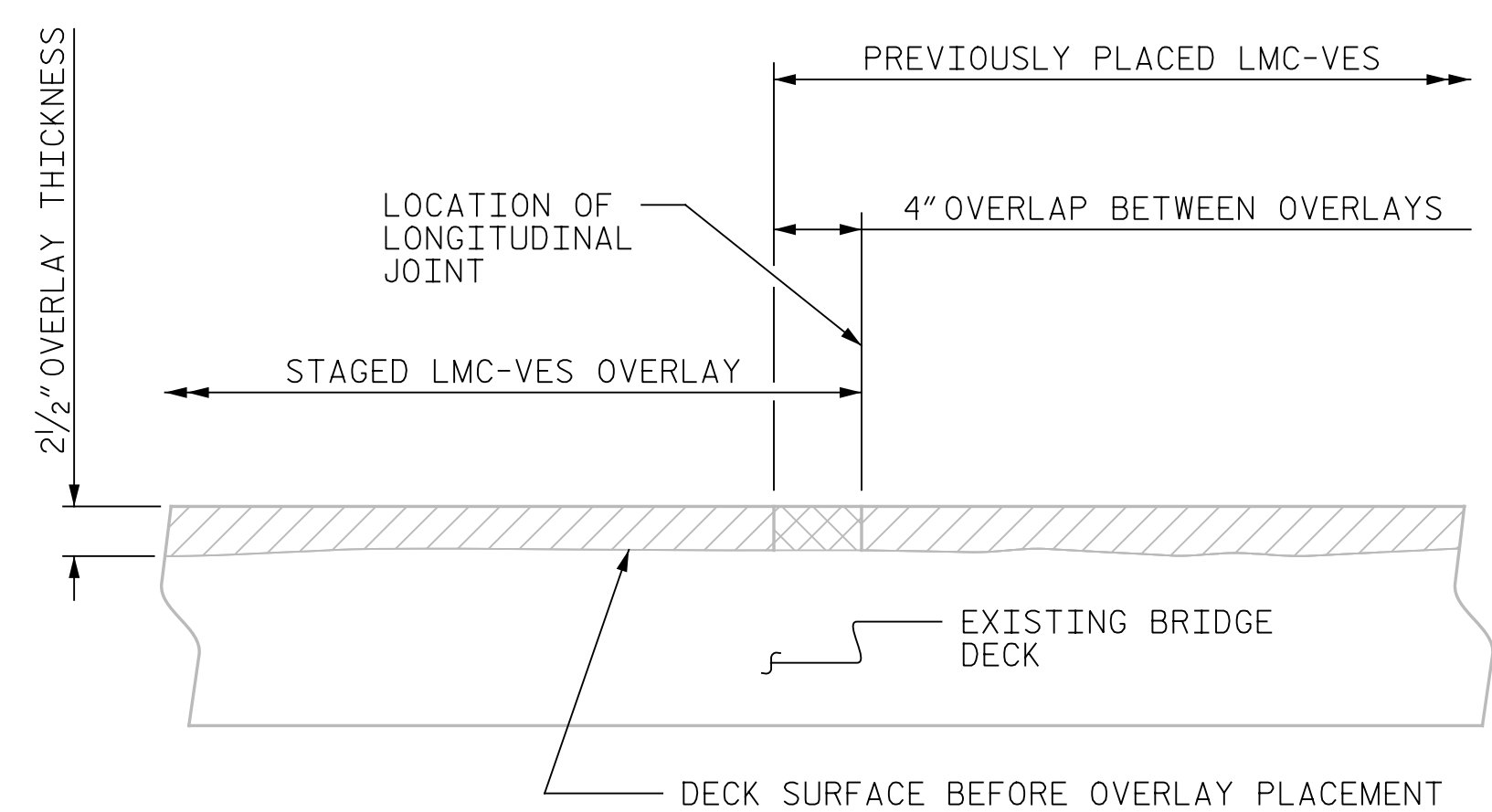
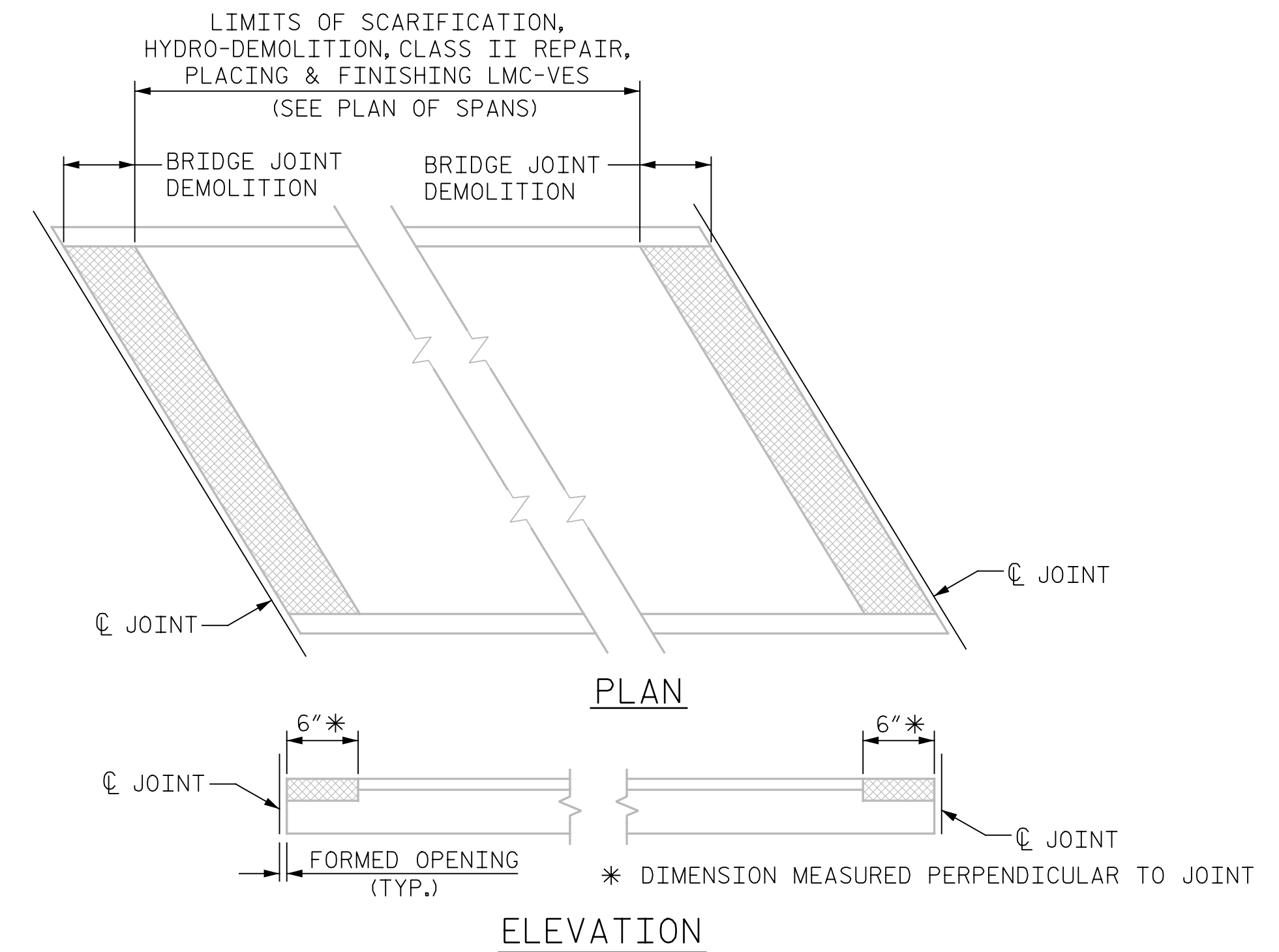
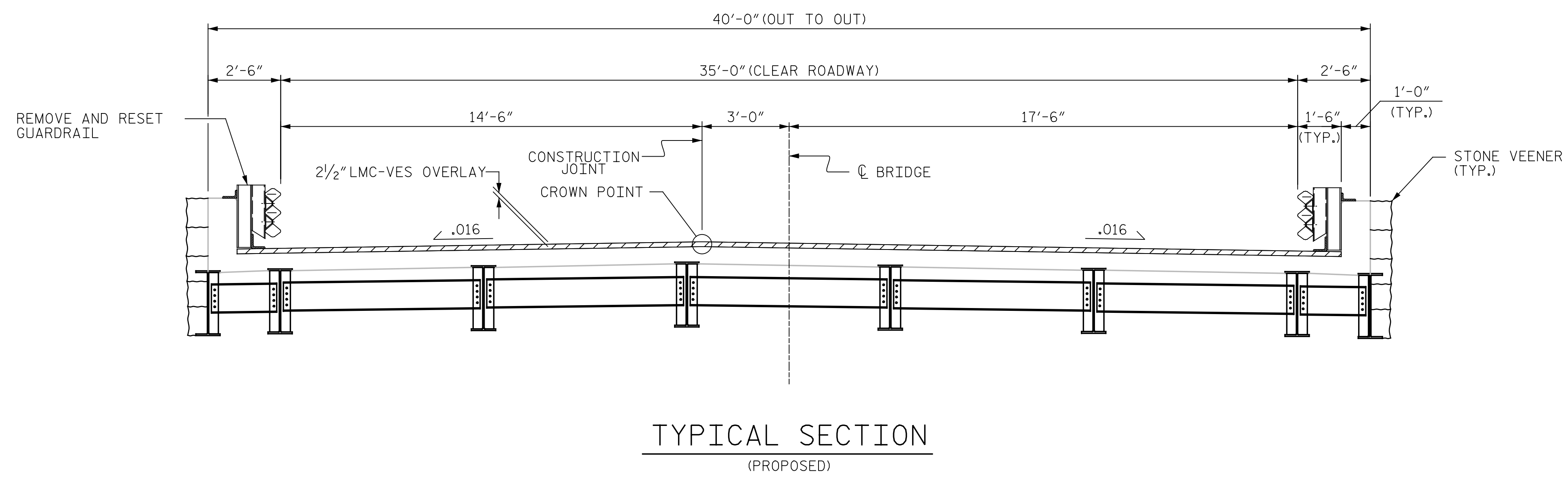
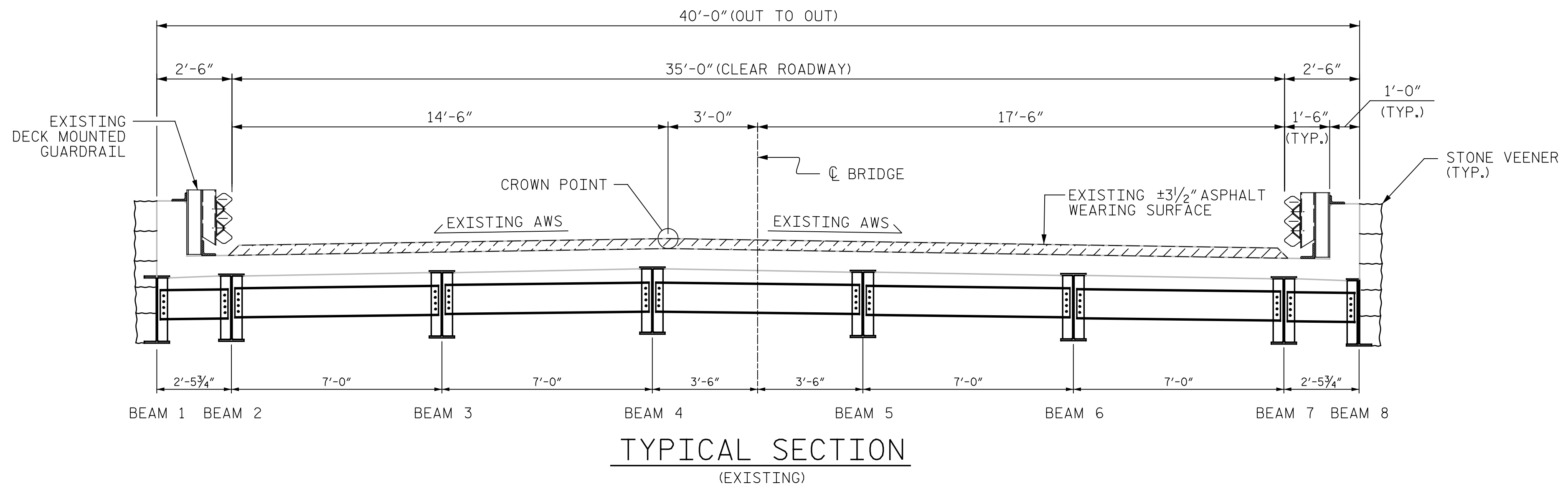


NOTE:

SEE TRANSPORTATION MANAGEMENT PLANS FOR LANE WIDTHS, SEQUENCING AND OTHER TRAFFIC CONTROL MEASURES FOR STAGING OF OVERLAY SURFACE PREPARATION AND LMC-VES PLACEMENT.

WHEN PREPARING THE SURFACE FOR AN LMC-VES OVERLAY ADJACENT TO A PREVIOUSLY PLACED LMC-VES STAGE, THE PREVIOUSLY PLACED LMC-VES SHALL BE REMOVED FOR A DISTANCE OF 4 INCHES FROM THE EDGE OF THE LMC-VES. THE SURFACE OF THE NEW STAGE AREA, ALONG WITH THE 4 INCH OVERLAY AREA, SHALL BE PREPARED AS PER THE OVERLAY SURFACE PREPARATION SPECIAL PROVISION. NEW LMC-VES SHALL BE PLACED IN THE 4 INCH OVERLAP AS PART OF THE NEW LMC-VES STAGE PLACEMENT.



PROJECT NO. I-5889A
BUNCOMBE COUNTY
BRIDGE NO. 358



STATE OF NORTH CAROLINA
DEPARTMENT OF TRANSPORTATION
RALEIGH

TYPICAL SECTION & OVERLAY DETAILS

DRAWN BY : M.A.LEE DATE : 9/2017
CHECKED BY : R.NELSON DATE : 10/2017

PLANS PREPARED BY:
Gannett Fleming
2610 Wycliff Road
Suite 102
Raleigh, NC 27607-3073
(919) 420-7660
NC Lic. No. F-0270

DOCUMENT NOT CONSIDERED FINAL UNLESS ALL SIGNATURES COMPLETED

REVISIONS						SHEET NO.
NO.	BY:	DATE:	NO.	BY:	DATE:	S-88
1			3			TOTAL SHEETS
2			4			208