

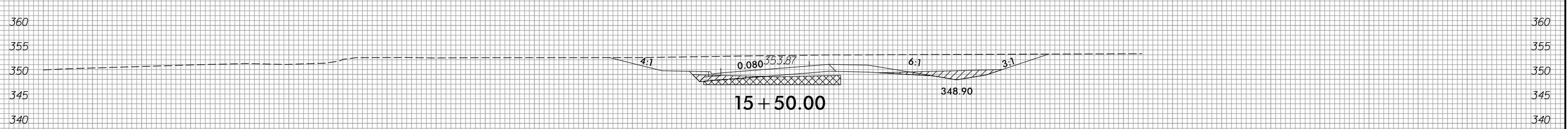
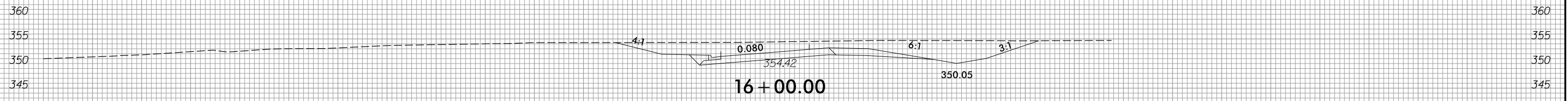
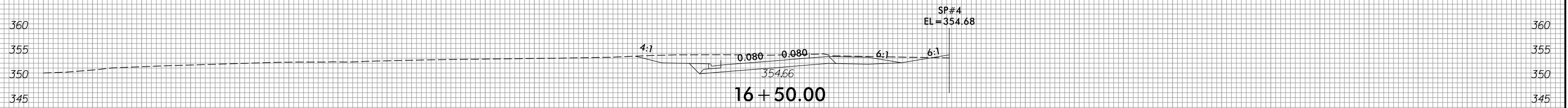
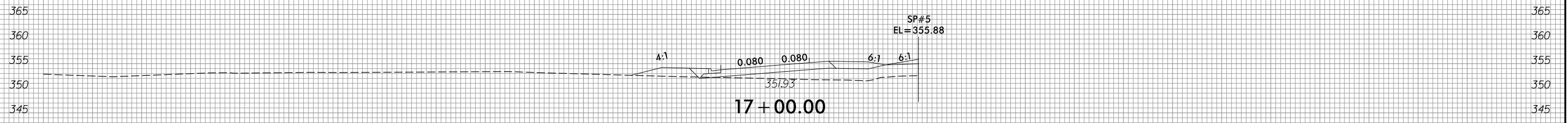
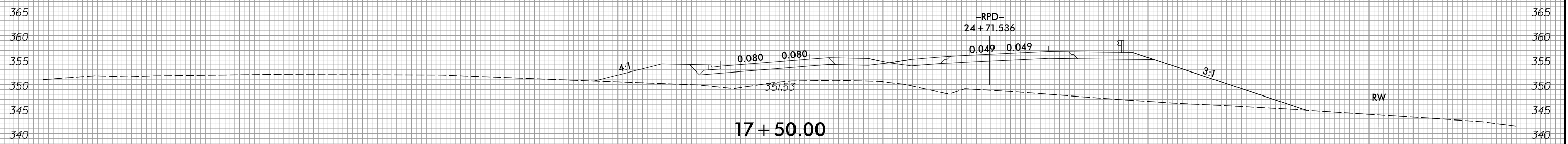
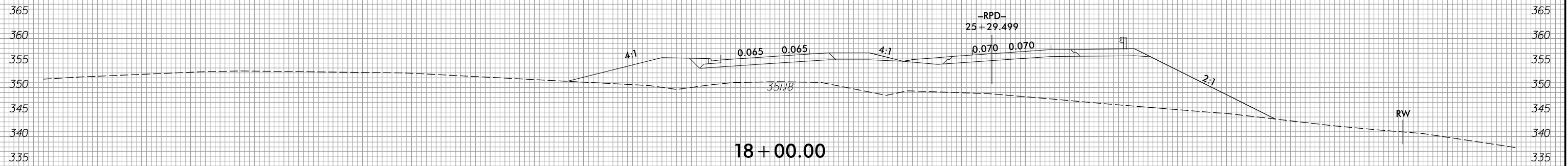
8/23/99



PROJ. REFERENCE NO.
U-5315A&B

SHEET NO.
X-37

150 140 130 120 110 100 90 80 70 60 50 40 30 20 10 0 10 20 30 40 50 60 70 80 90 100 110 120 130 140 150



-LPD-

150 140 130 120 110 100 90 80 70 60 50 40 30 20 10 0 10 20 30 40 50 60 70 80 90 100 110 120 130 140 150

I:\13\2017
RtRoadway\XSC\U5315A_Rdy_xp1.LPD.dgn
mivison