

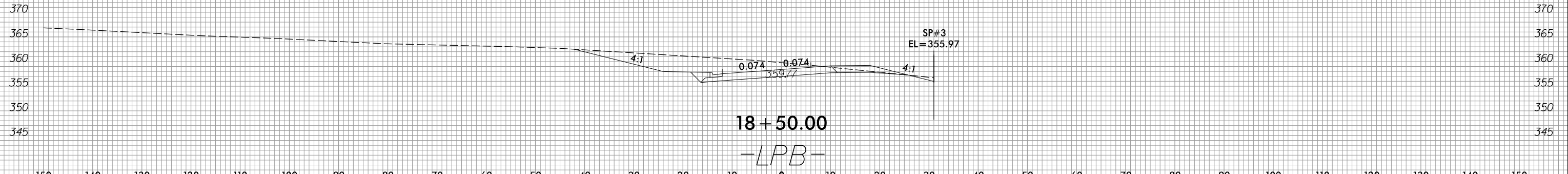
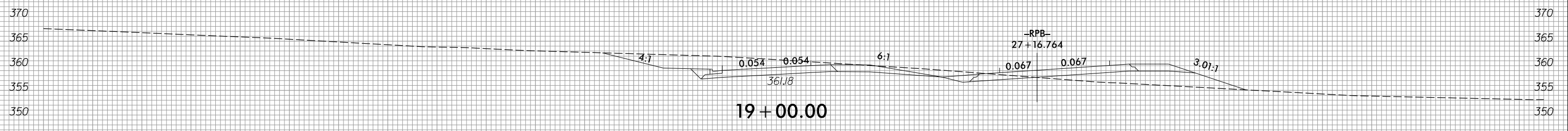
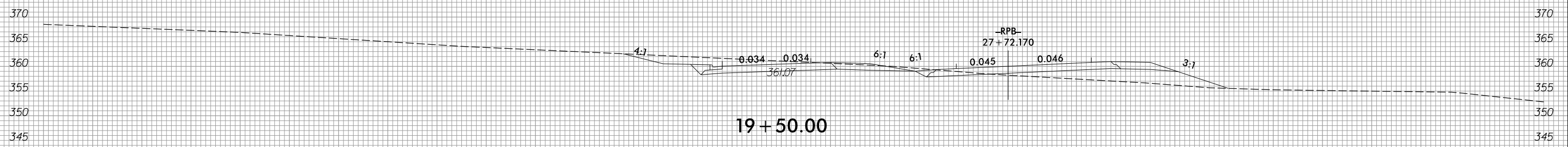
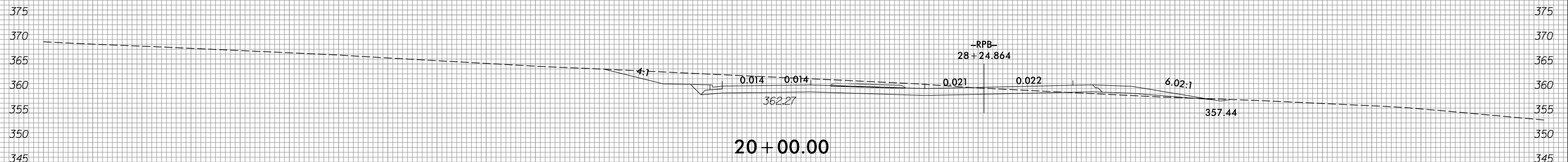
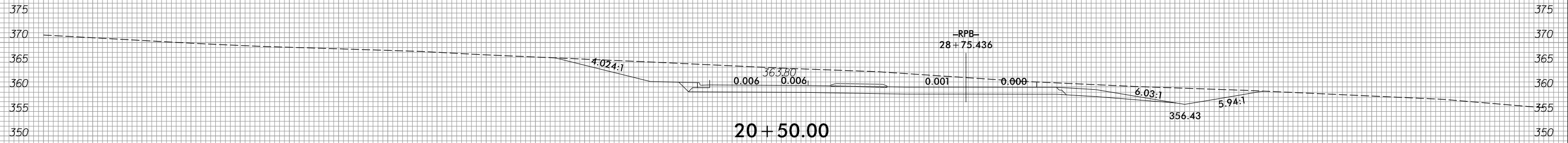
8/23/99



PROJ. REFERENCE NO.  
U-5315A&B

SHEET NO.  
X-26

150 140 130 120 110 100 90 80 70 60 50 40 30 20 10 0 10 20 30 40 50 60 70 80 90 100 110 120 130 140 150



150 140 130 120 110 100 90 80 70 60 50 40 30 20 10 0 10 20 30 40 50 60 70 80 90 100 110 120 130 140 150

I:\13\2017  
Rd\Roadway\XSC\U5315\_Rdy\_xp1\_LP.B.dgn  
Division