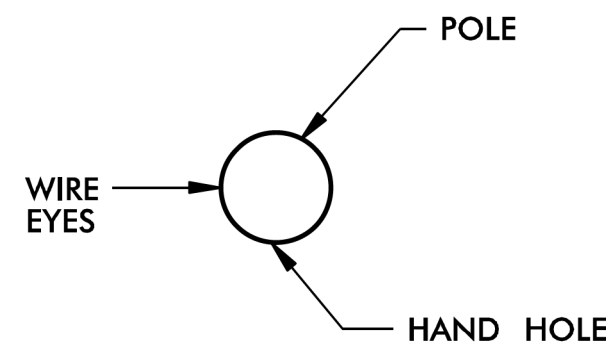
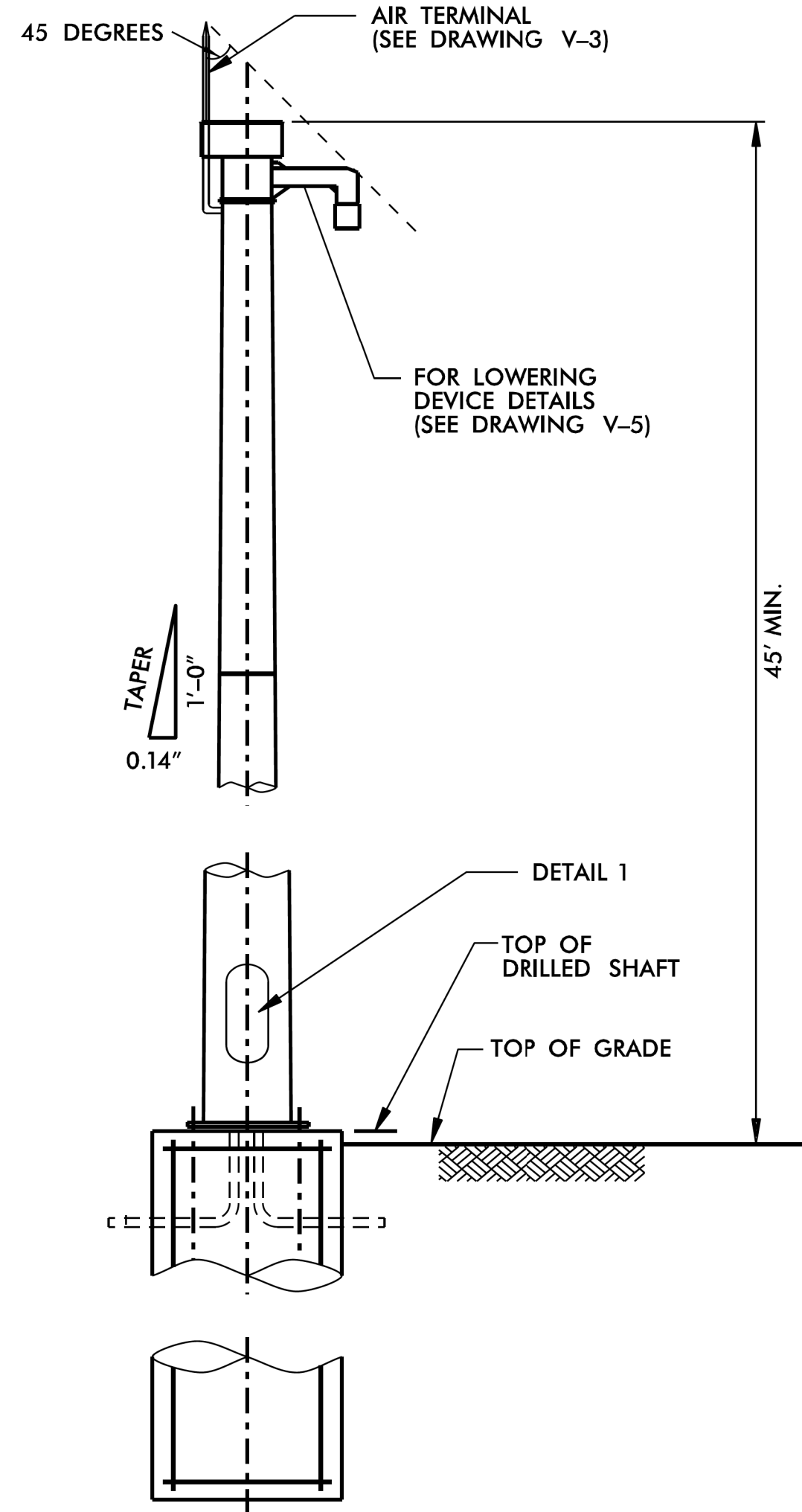


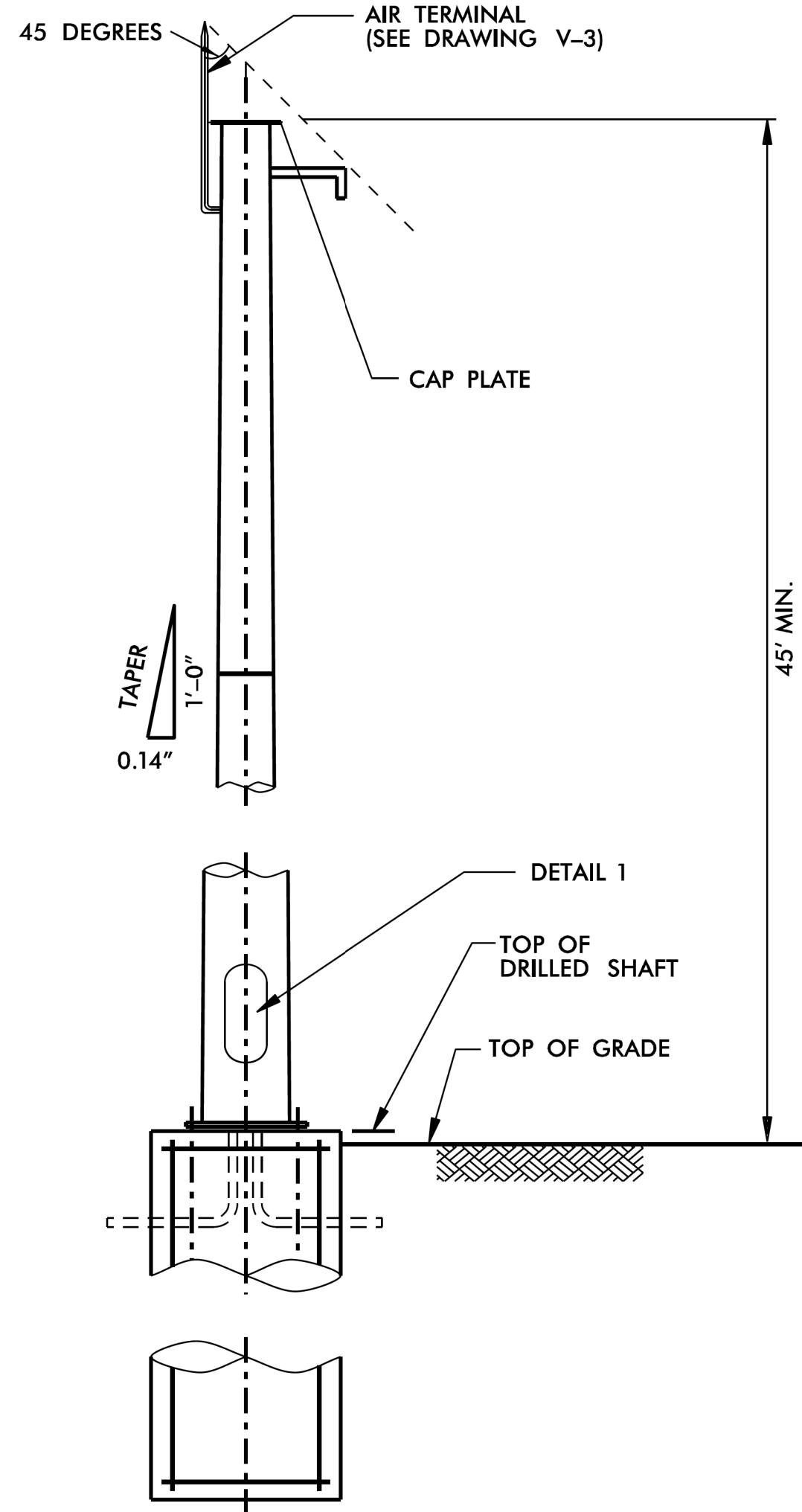
ORIENTATION VIEW



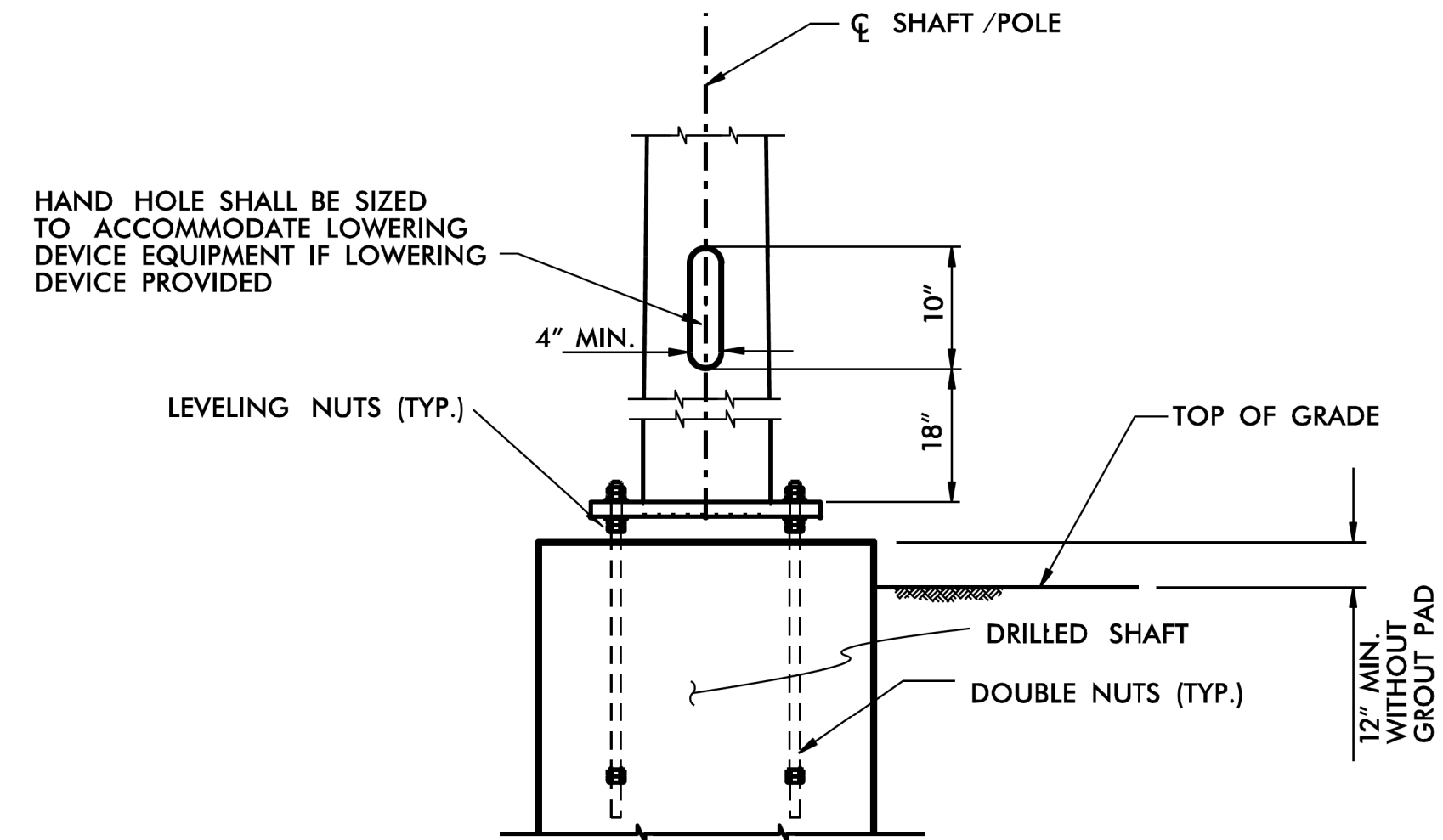
ORIENTATION VIEW



WITH LOWERING DEVICE ELEVATION



WITHOUT LOWERING DEVICE ELEVATION



DETAIL 1

HAND HOLE SHALL BE SIZED TO ACCOMMODATE LOWERING DEVICE EQUIPMENT IF LOWERING DEVICE PROVIDED

- NOTE
1. ALL WORK AND NEW EQUIPMENT SHALL BE DESIGNED AND INSTALLED ACCORDING TO THE REQUIREMENTS AND FUNCTIONALITY DESCRIBED IN THE RFP.
 2. BANDING TO ATTACH CABINET AND ANY CONDUITS SHALL NOT INTERFERE WITH THE HAND HOLE.

*****SYTIME*****
 *****PLANNING*****
 *****DESIGN*****

REV. NO.	BY	DATE	DESCRIPTION
1	DLJ	10/7/14	Border content and labeling only

ATKINS 5200 77 Center Drive, Suite 50
 Charlotte, North Carolina 28217
 (704) 522-7275 NCBEEES #F-0326

ITS STANDARD DETAILS
 CCTV
 STEEL POLE

SCALE: N.T.S.	NORTH CAROLINA TURNPIKE AUTHORITY	SHEET NO. V-2
DATE: August, 2011		
DWG. BY: B. Slocum		
DESIGN BY: A. Badgett / D. Jones		
APPROVED: A. Lelowski		

11/13/2017
 R:\Projects\cctv\ITS\KON\U5315_ITS_standard-detail1.dgn
 dsccrs

DOCUMENT NOT CONSIDERED FINAL
 UNLESS ALL SIGNATURES COMPLETED

PLANS PREPARED BY :

RK&K

RUMMEL, KLEPPER & KAHL, LLP
 900 RIDGEFIELD DRIVE SUITE 350
 RALEIGH, NORTH CAROLINA 27609-3960
 NC LICENSE NO. F-0112 • (919) 878-9560

Prepared for the Offices of:

750 N. Greenfield Place, Garner, NC 27529

SCALE: N/A

NORTH CAROLINA TURNPIKE AUTHORITY
 ITS STANDARD DETAIL

DIVISION 05 WAKE COUNTY TOWN OF CARY

PLAN DATE: NOVEMBER 2017 REVIEWED BY: C.B. HOLDEN

PREPARED BY: D.T. SEARS REVIEWED BY:

REVISIONS	INIT.	DATE

CADD File name: u5315_its_standard-detail1.dgn