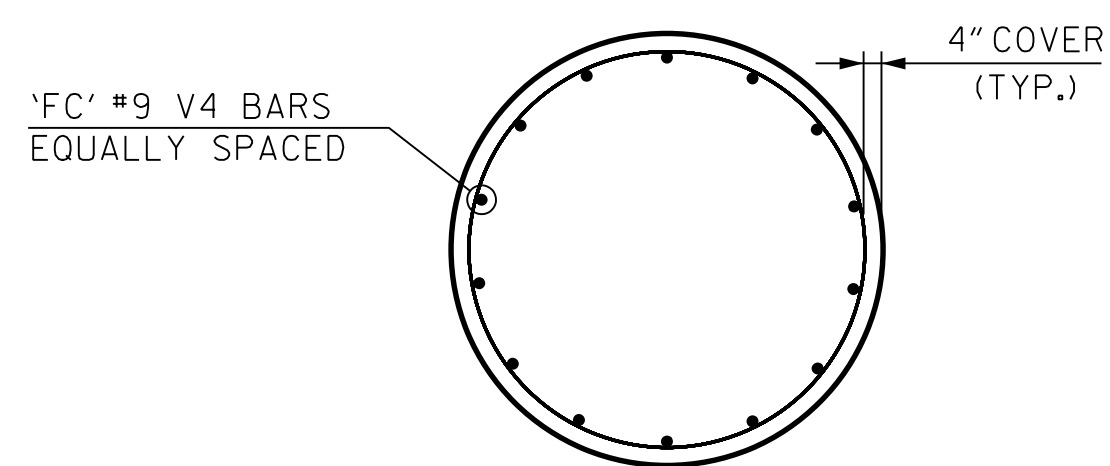
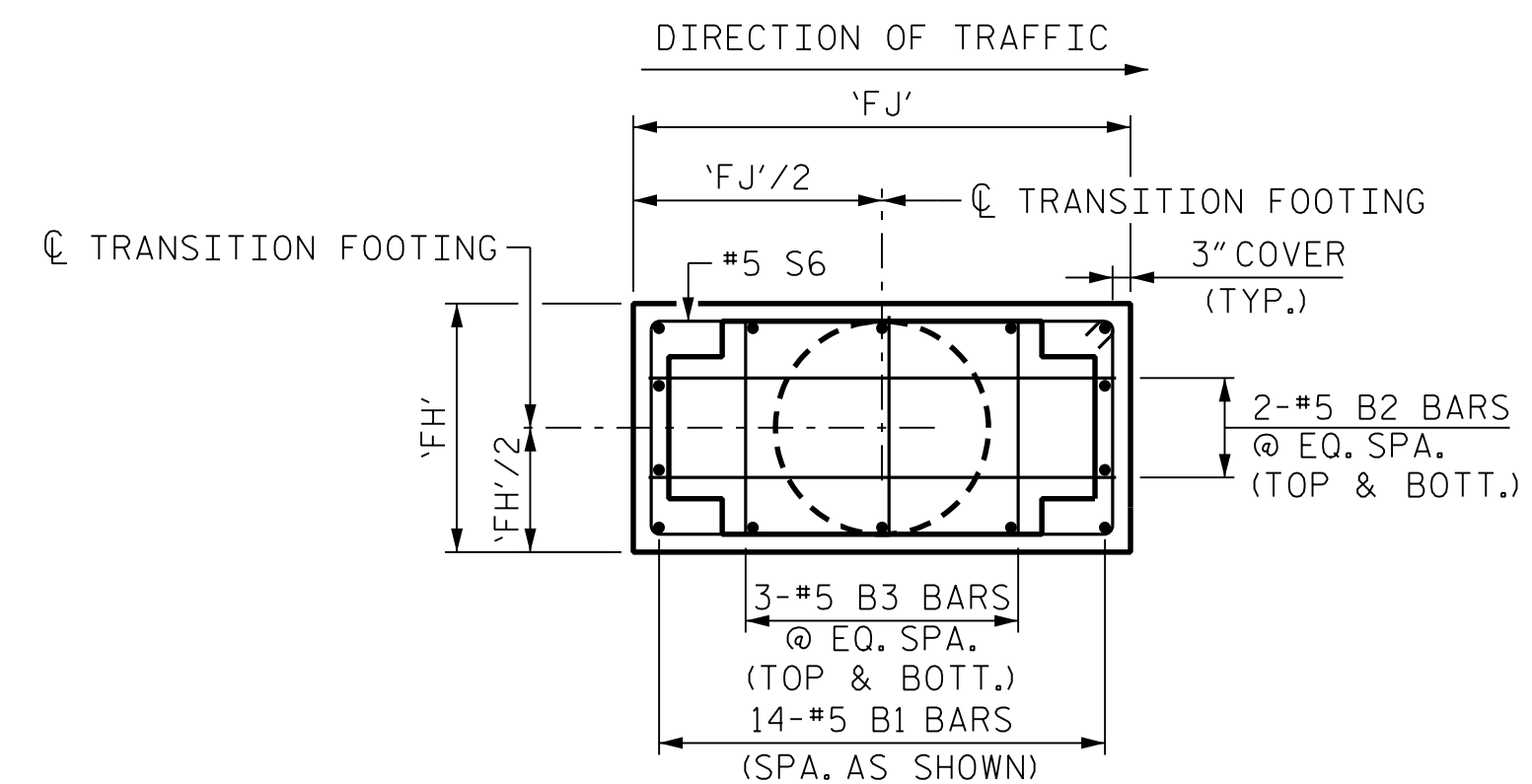


DRILLED SHAFT ELEVATION

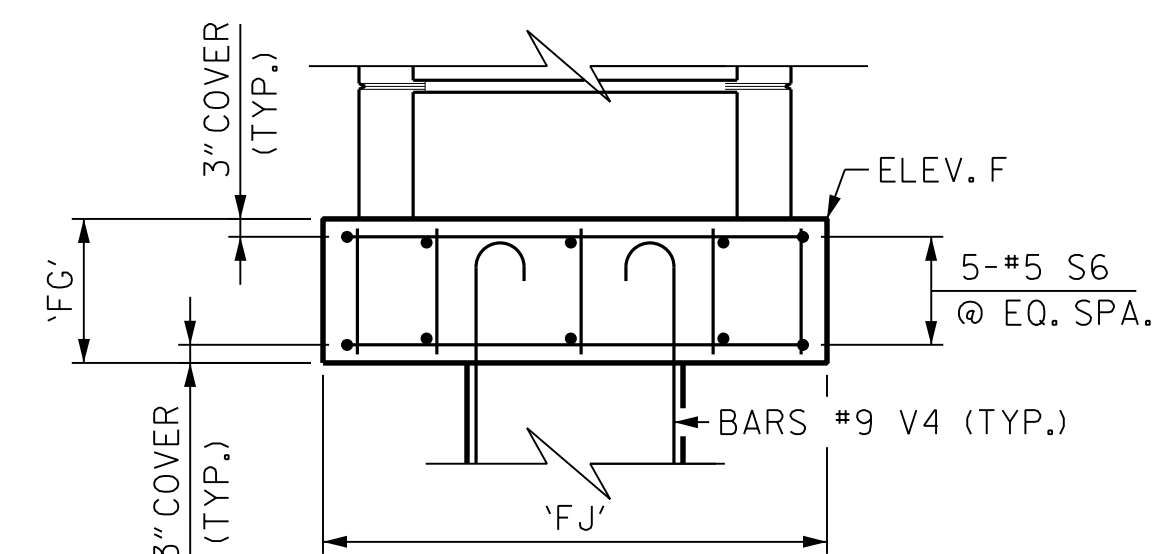


DRILLED SHAFT PLAN



TYPE B1 TRANSITION FOOTING PLAN

(SINGLE DRILLED SHAFT FOUNDATION)

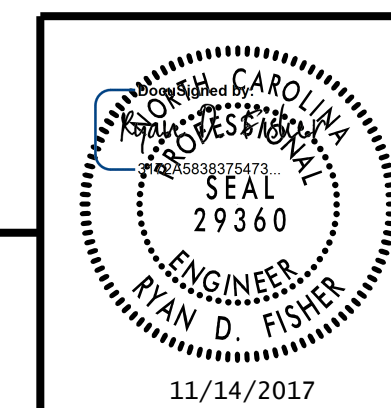


TYPE B1 TRANSITION FOOTING ELEVATION

(SINGLE DRILLED SHAFT FOUNDATION)

PROJECT NO. U-5315 A & B
WAKE COUNTY
 STATION: _____

STATE OF NORTH CAROLINA
 DEPARTMENT OF TRANSPORTATION
 RALEIGH
OVERHEAD STRUCTURES
 FOUNDATION DETAILS



RK&K
 RUMMEL, KLEPPER & KAHL, LLP
 900 RIDGEFIELD DRIVE SUITE 350
 RALEIGH, NC 27609-3960 (919) 878-9560
 NC LICENSE NUMBER: F-0112

REVISIONS				SHEET NO.		
NO.	BY:	DATE:	NO.	BY:	DATE:	TOTAL SHEETS
1			3			12
2			4			

**DOCUMENT NOT CONSIDERED FINAL
 UNLESS ALL SIGNATURES COMPLETED**

11/13/2017 R:\DGN\11050_SD_OHS_007.dgn

DRAWN BY : B. A. HAAG DATE : AUG 2017
 CHECKED BY : R. D. FISHER DATE : AUG 2017
 DESIGN ENGINEER OF RECORD : R. D. FISHER DATE : AUG 2017