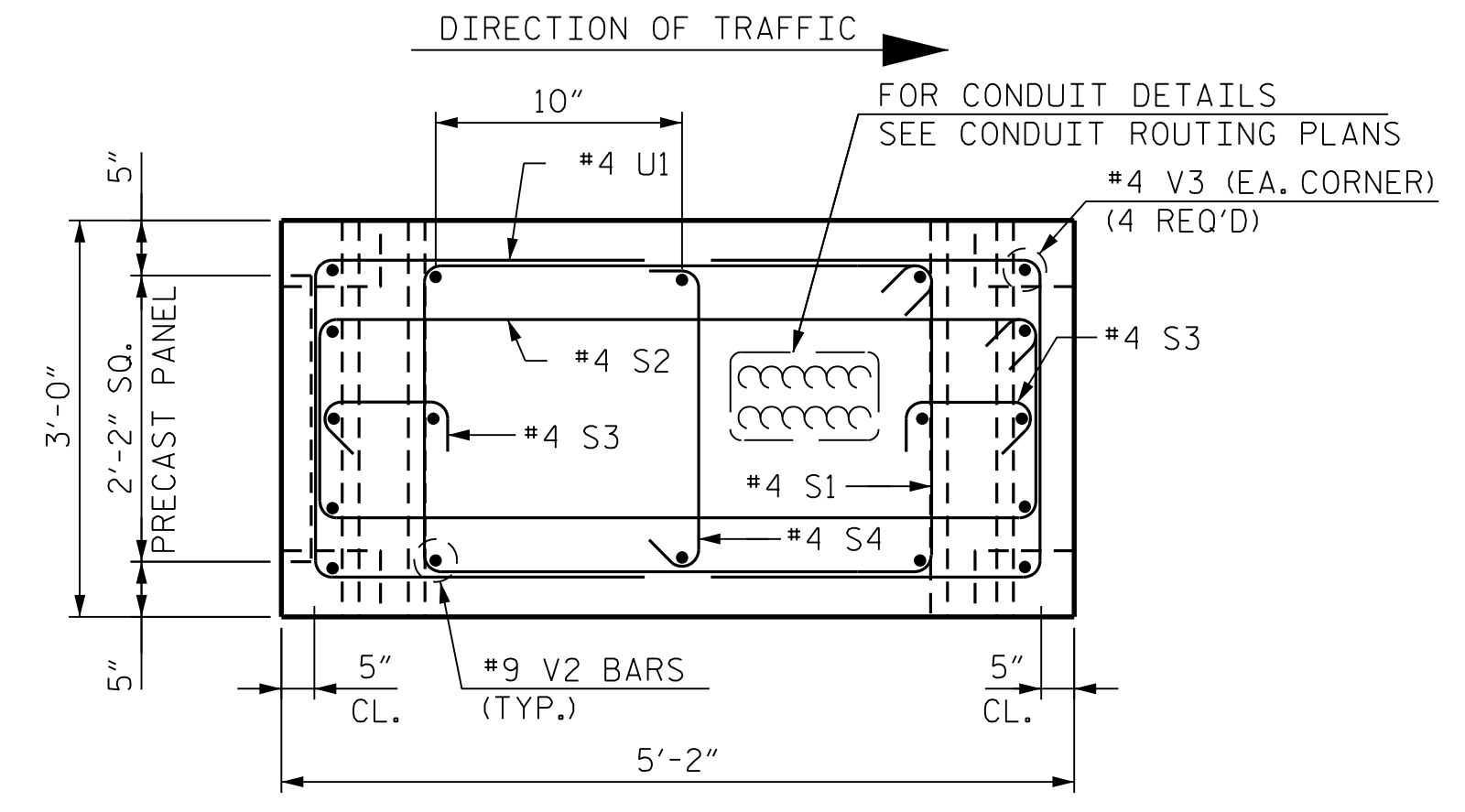
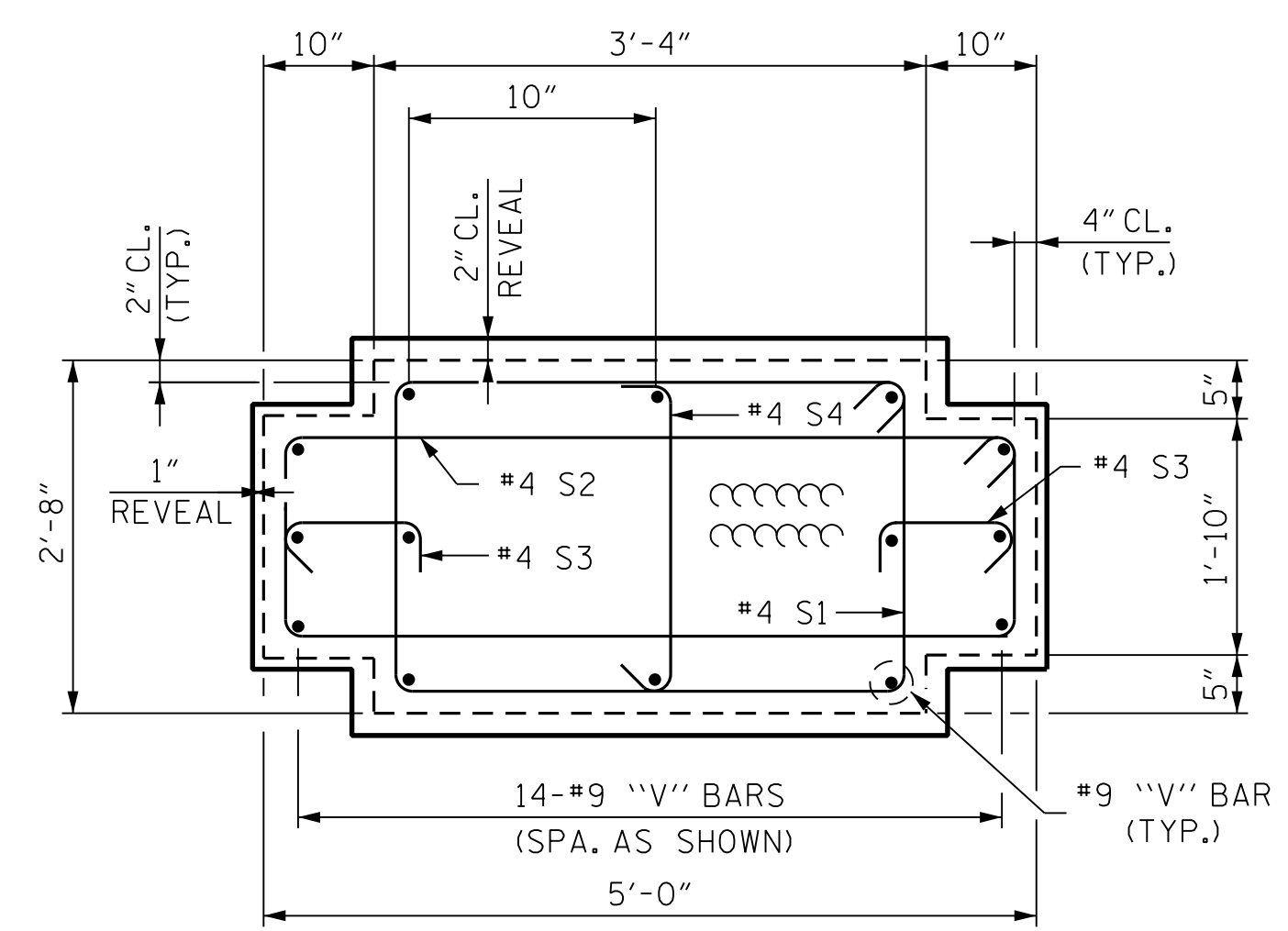


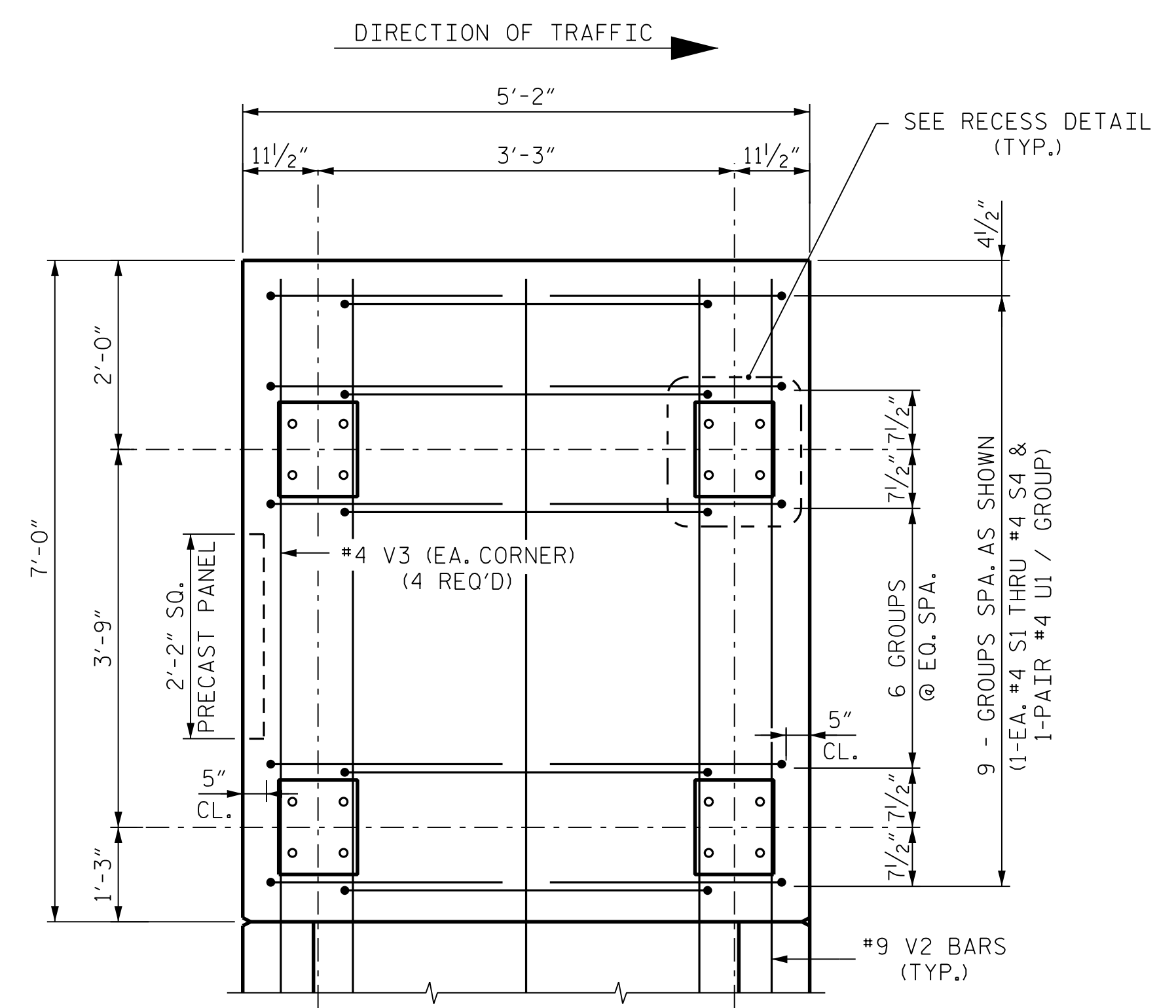
COLUMN ELEVATION



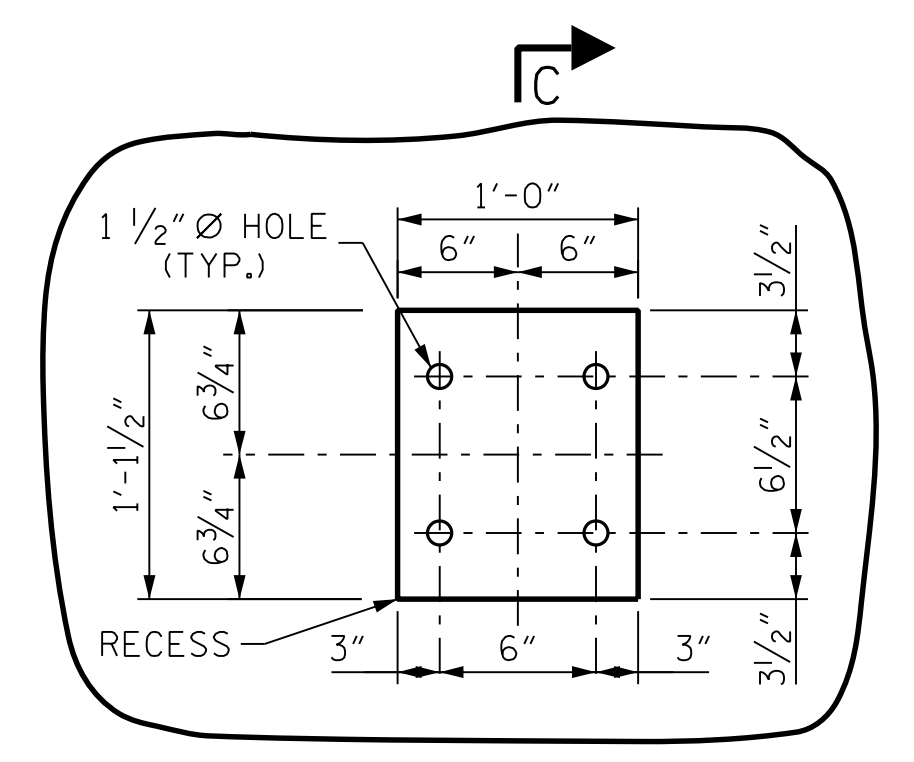
SECTION A-A



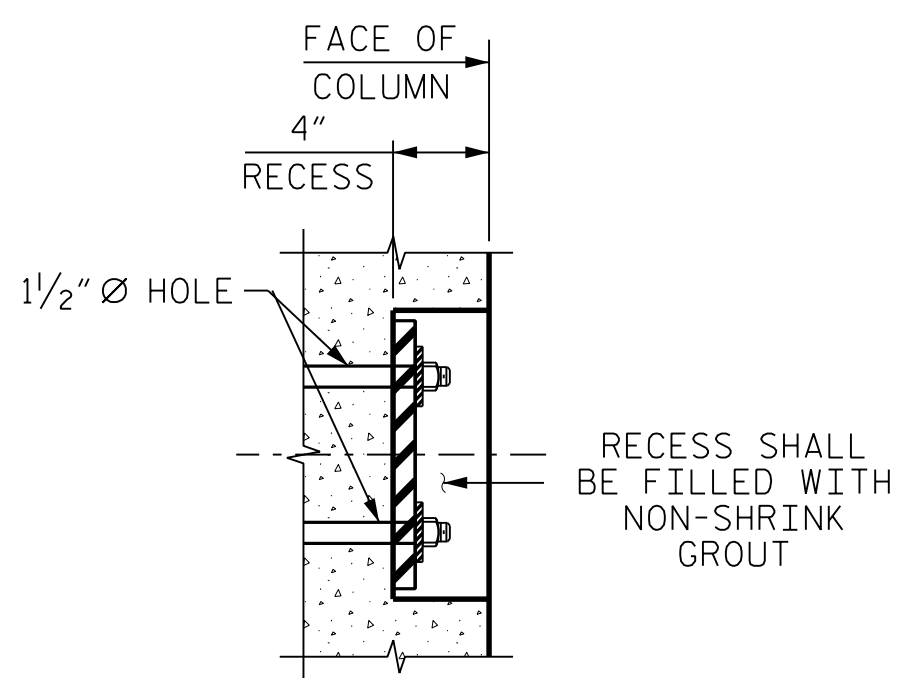
SECTION B-B



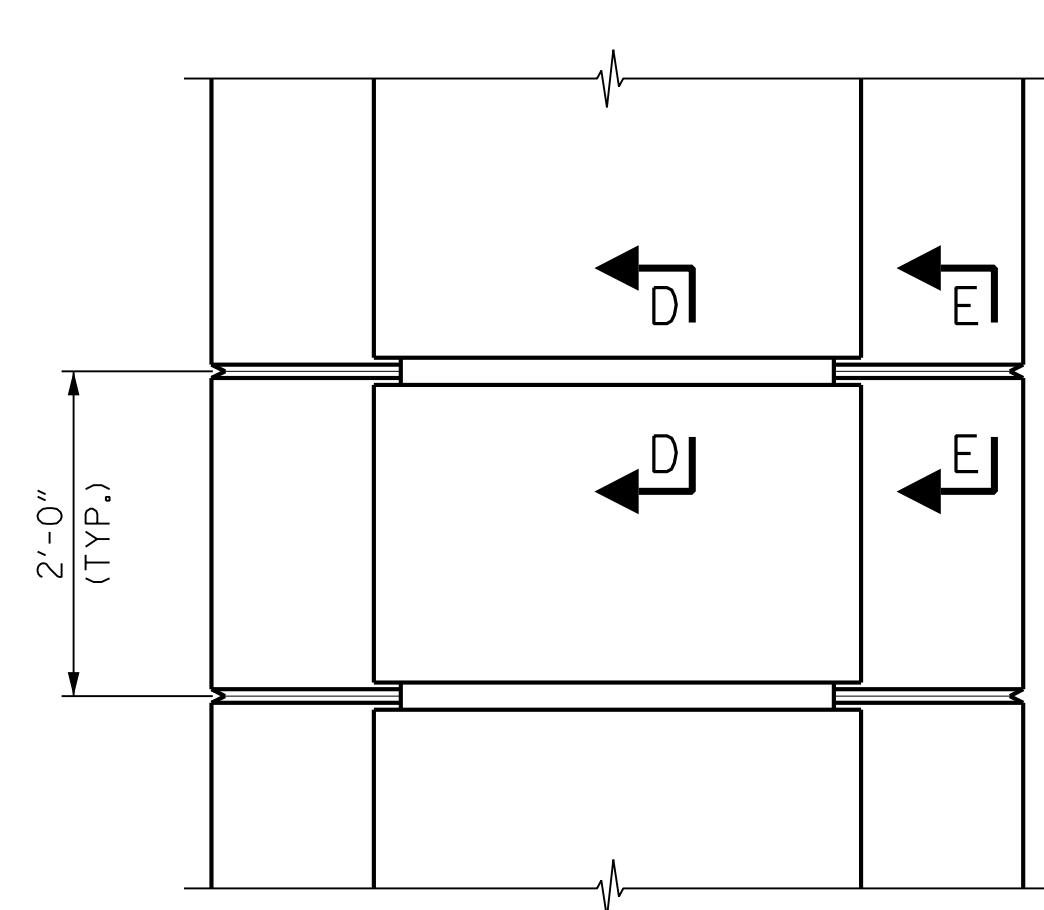
CAP ELEVATION



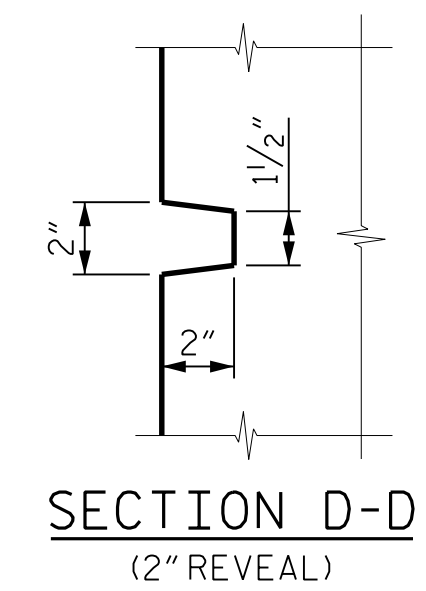
RECESS DETAIL



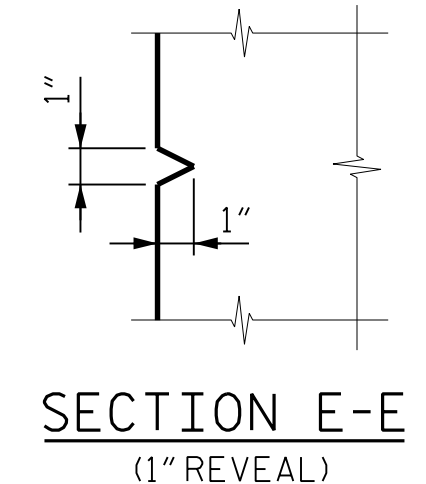
SECTION C-C



COLUMN RUSTICATION DETAILS



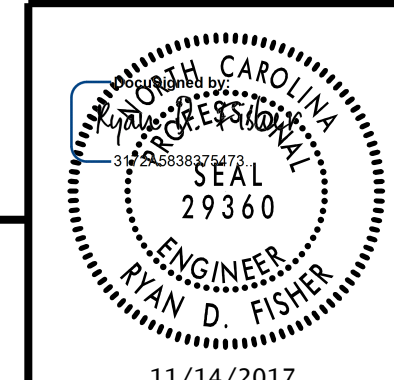
SECTION D-D (2" REVEAL)



SECTION E-E (1" REVEAL)

PROJECT NO. U-5315 A & B
WAKE COUNTY
 STATION: _____
 SHEET 2 OF 2

STATE OF NORTH CAROLINA
 DEPARTMENT OF TRANSPORTATION
 RALEIGH
OVERHEAD STRUCTURES
 COLUMN REINFORCING DETAILS-
 GANTRY



RK&K
 RUMMEL, KLEPPER & KAHL, LLP
 900 RIDGEFIELD DRIVE SUITE 350
 RALEIGH, NC 27609-3960 (919) 878-9560
 NC LICENSE NUMBER: F-0112

11/14/2017

REVISIONS				SHEET NO.	
NO.	BY:	DATE:	NO.	BY:	DATE:
1			3		
2			4		

**DOCUMENT NOT CONSIDERED FINAL
 UNLESS ALL SIGNATURES COMPLETED**

TOTAL SHEETS
12

11/13/2017 R:\DGN\11050_SD_OHS_006.dgn

DRAWN BY : B. A. HAAG DATE : AUG 2017
 CHECKED BY : R. D. FISHER DATE : AUG 2017
 DESIGN ENGINEER OF RECORD : R. D. FISHER DATE : AUG 2017