

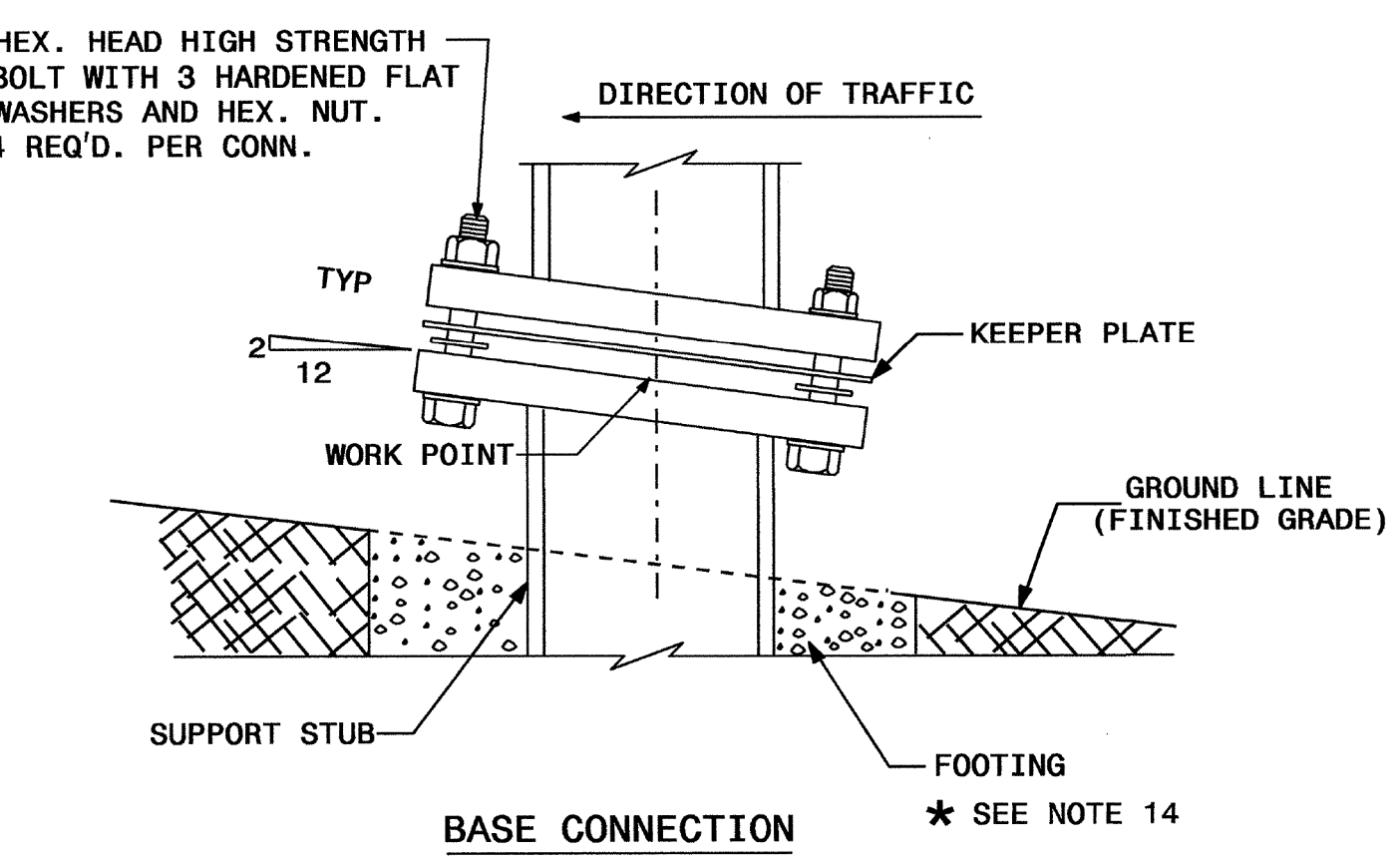
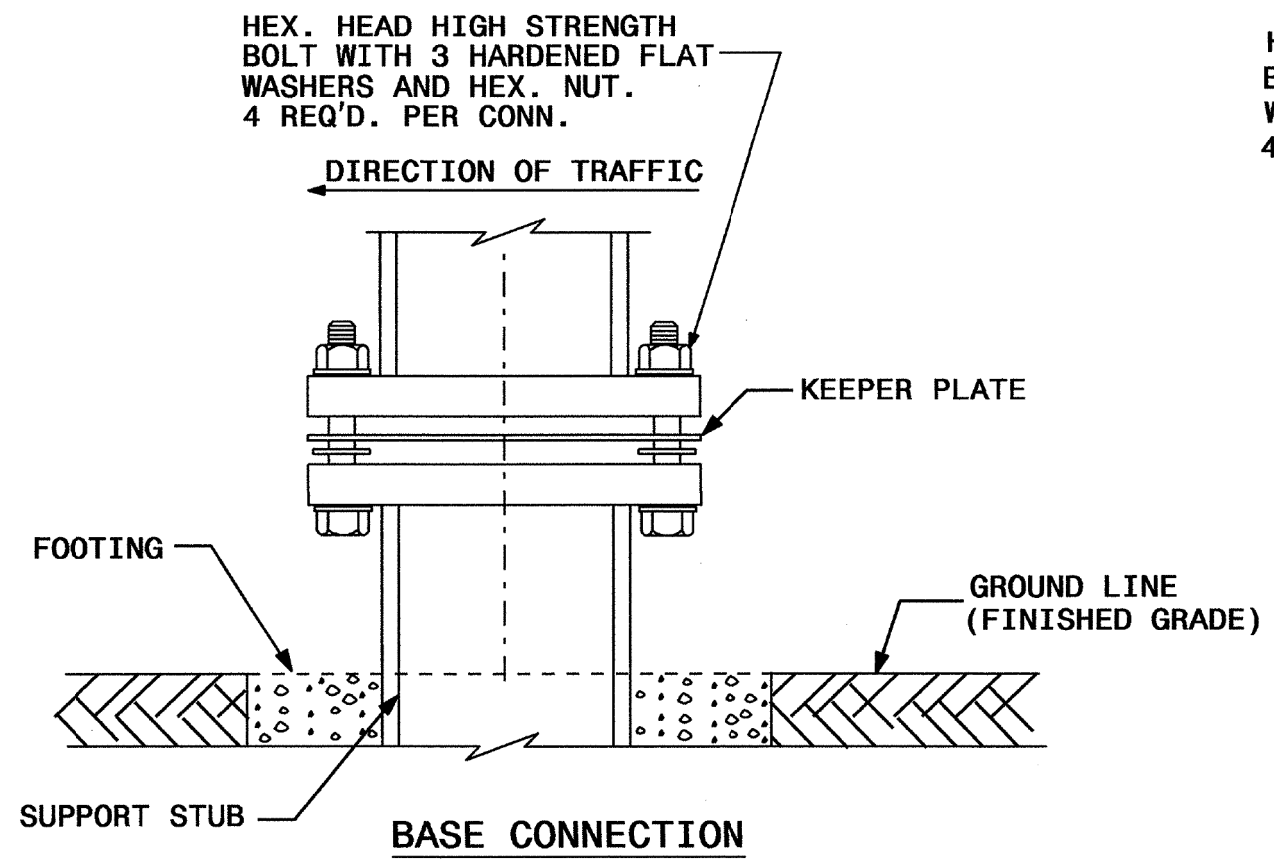
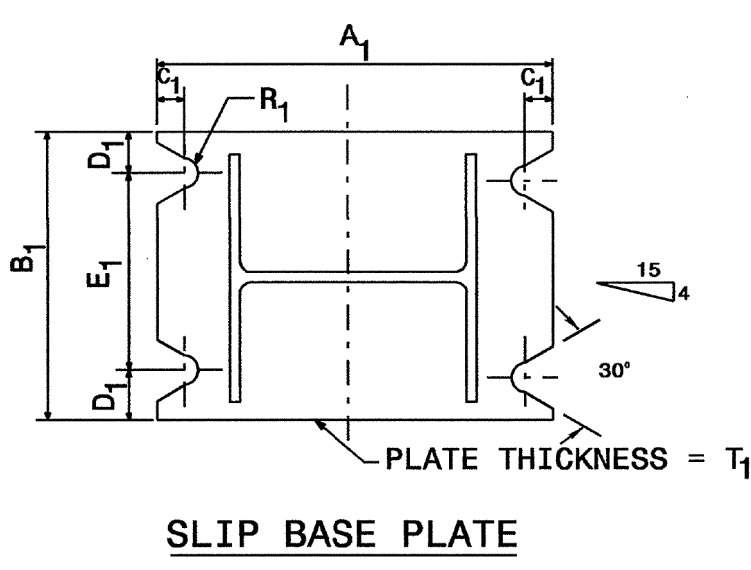
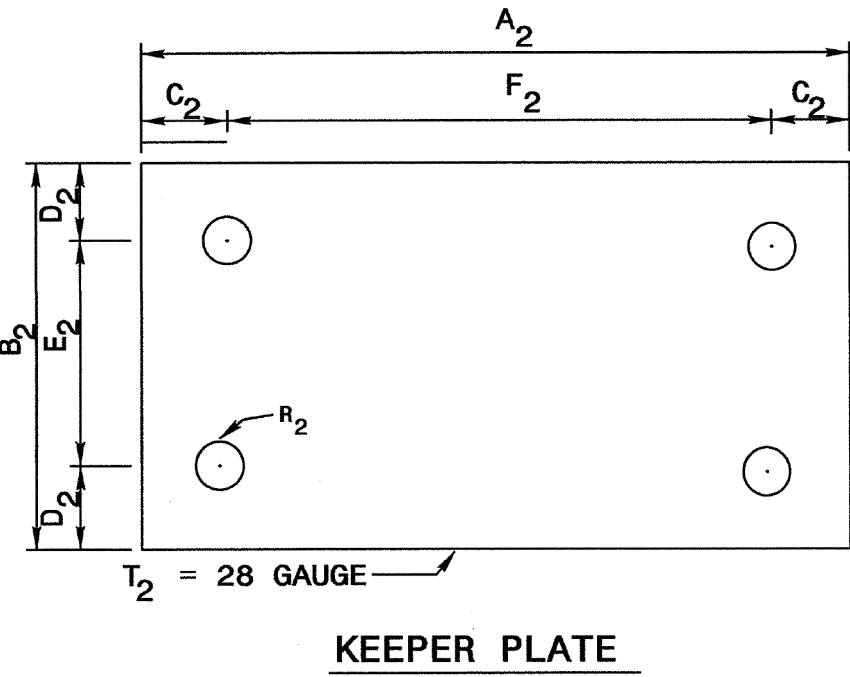
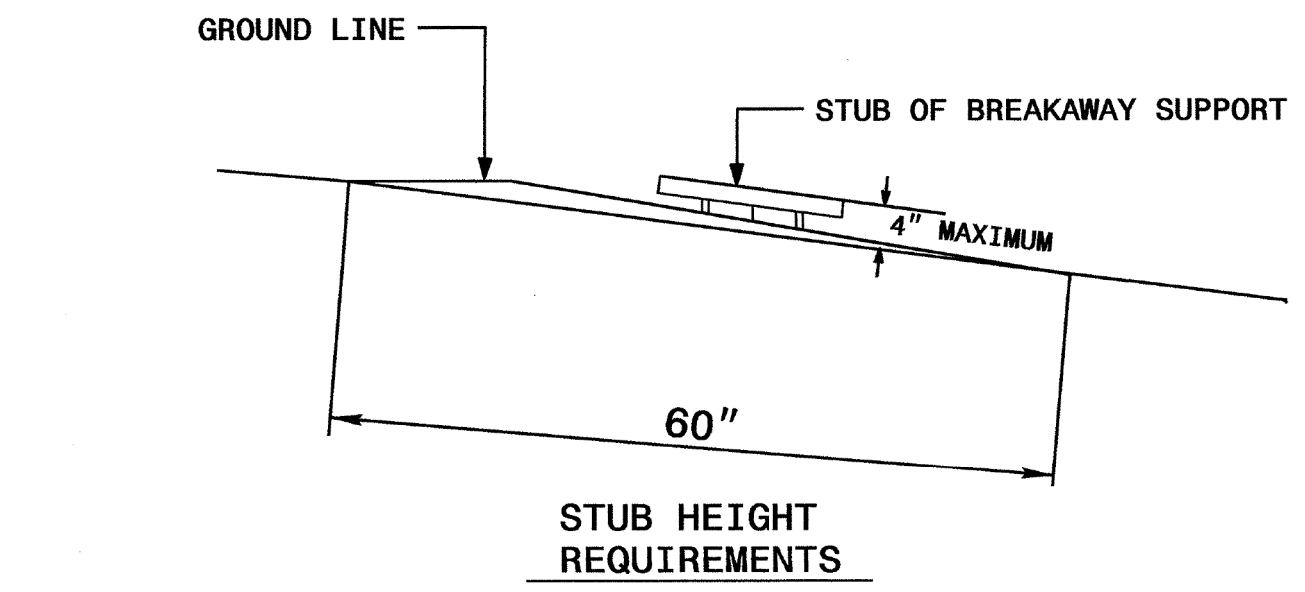
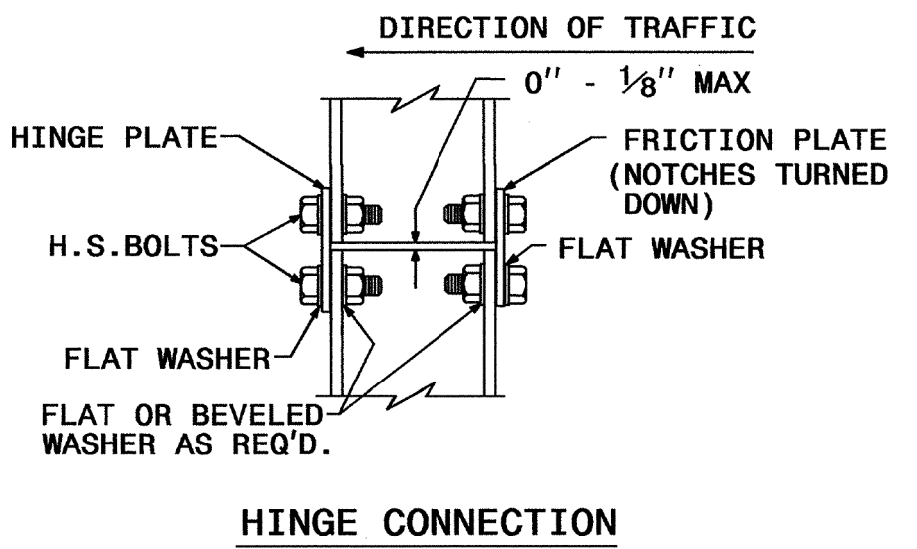
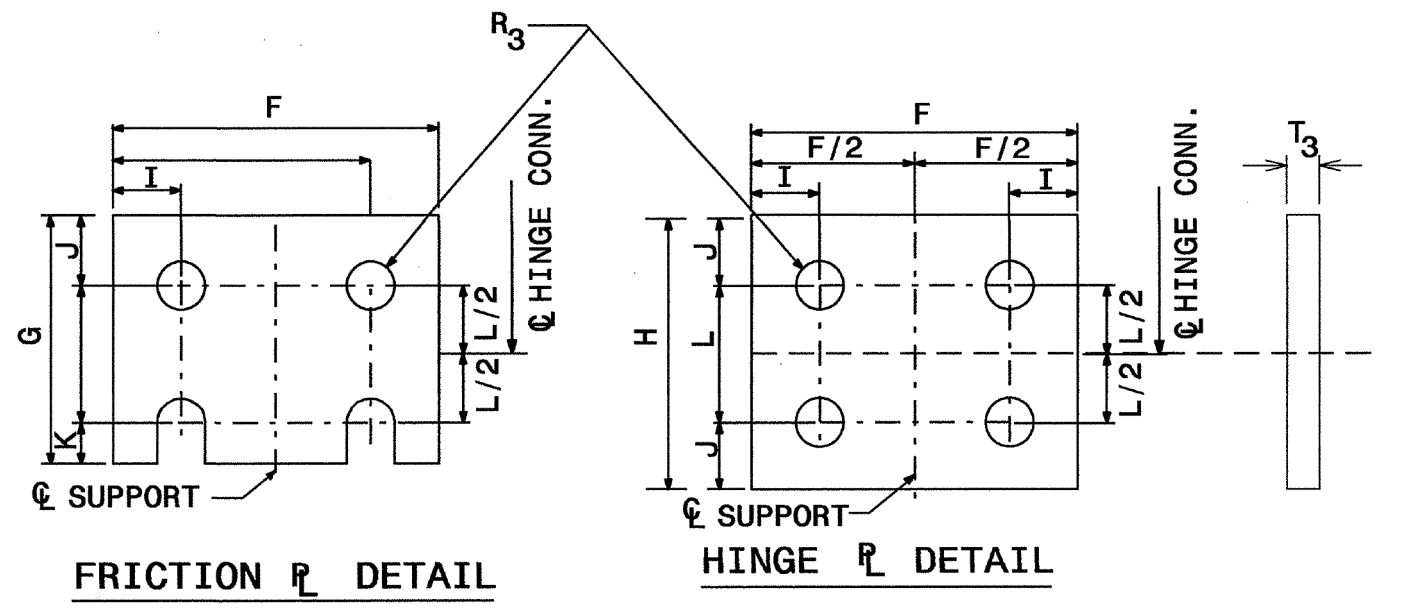
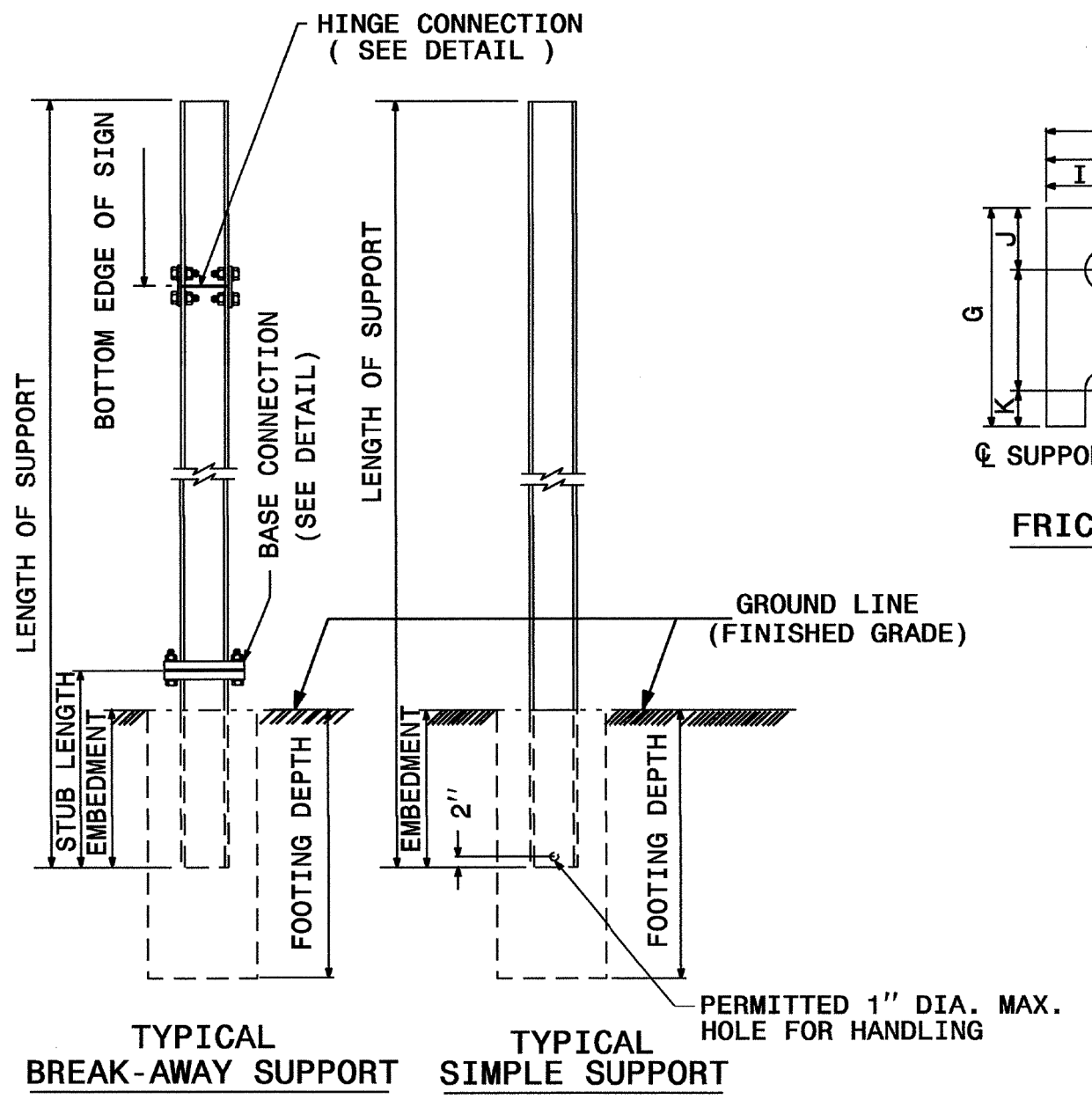
TIP NO. U-5315 A&B	SHEET NO. SIGN-02D
APPROVED: _____	
DATE: _____	
SEAL	
<small>DocuSigned by: Barry Brandt 11/13/2017</small>	
DOCUMENT NOT CONSIDERED FINAL UNLESS ALL SIGNATURES COMPLETED	

STATE OF
 NORTH CAROLINA
 DEPT. OF TRANSPORTATION
 DIVISION OF HIGHWAYS
 RALEIGH, N.C.

1-12

**ENGLISH STANDARD DRAWING FOR
 GROUND MOUNTED SIGN SUPPORTS**

SHEET 1 OF 3
903D10



SEE SHEET 2 OF 3 FOR
 BASE CONNECTION DATA
 HINGE CONNECTION DATA
 & FOUNDATION DATA.
 SEE SHEET 3 OF 3 FOR
 GENERAL NOTES.

STATE OF
 NORTH CAROLINA
 DEPT. OF TRANSPORTATION
 DIVISION OF HIGHWAYS
 RALEIGH, N.C.

1-12

**ENGLISH STANDARD DRAWING FOR
 GROUND MOUNTED SIGN SUPPORTS**

SHEET 1 OF 3
903D10

9/11/2017
 R:\Trafic\Signing\CADD\Signing_Layout_Plans\Pages\5315_sgn_1_S-02D.dgn
 NJM

PLANS PREPARED BY :
RK&K
 RUMMEL, KLEPPER & KAHL, LLP
 900 RIDGEFIELD DRIVE SUITE 350
 RALEIGH, NORTH CAROLINA 27609-3960
 NC LICENSE NO. F-0112 (919) 878-9560
 FOR
 THE NORTH CAROLINA
 TURNPIKE AUTHORITY

**REVISED SIGNING
 ROADWAY STANDARD DRAWING**