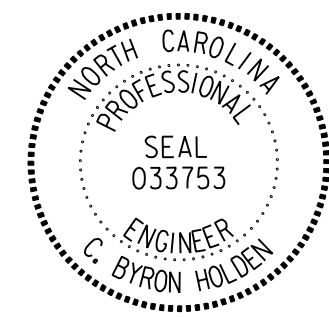
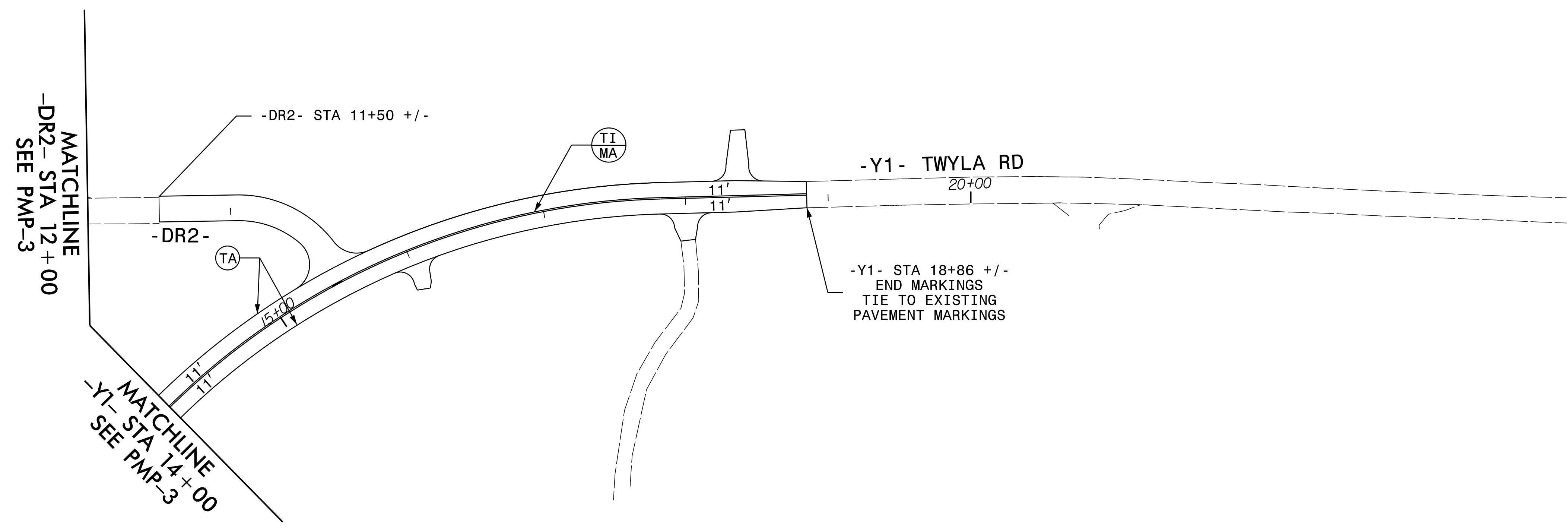
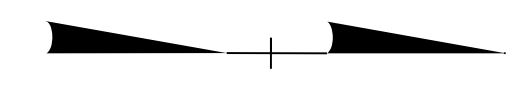


TIP NO. U-5315 A&B	SHEET NO. PMP-8
APPROVED: <i>C. Byron Holden</i> DATE: 11/11/2017	
SEAL 	
DOCUMENT NOT CONSIDERED FINAL UNLESS ALL SIGNATURES COMPLETED	



PLANS PREPARED BY:
RK&K
 RUMMEL, KLEPPER & KAHL, LLP
 900 RIDGEFIELD DRIVE, SUITE 350
 RALEIGH, NORTH CAROLINA 27609
 NC LICENSE NO. F-0112
 1-888-521-4455 OR 919-878-9560

PAVEMENT MARKING DETAIL

11/9/2017
 U-5315_Pmp_psh08.dgn
 C:\Users\csh08\Documents