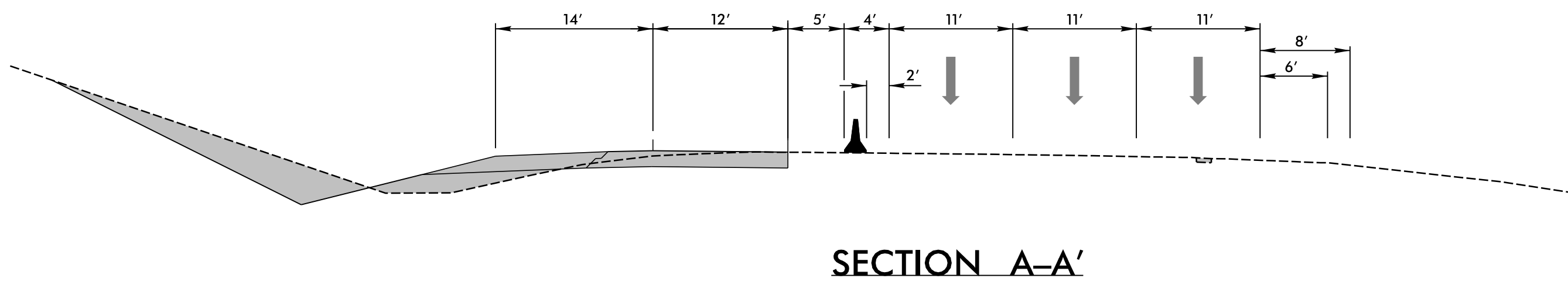


SEE FINAL PAVEMENT MARKING PLANS FOR PAVEMENT MARKINGS ON NORTHBOUND NC 540.

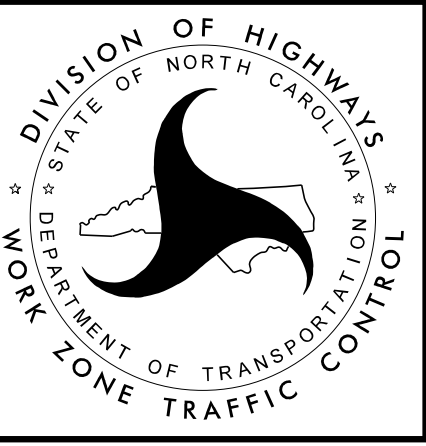


DOCUMENT NOT CONSIDERED FINAL
UNLESS ALL SIGNATURES COMPLETED

APPROVED: *[Signature]* DATE: 11/11/2017

SEAL

NORTH CAROLINA PROFESSIONAL ENGINEER
SEAL 033753
BYRON HOLDEN



PHASE II DETAIL

11/29/2017
U5315_Tmp_P2_psh16.dgn
ds@ars