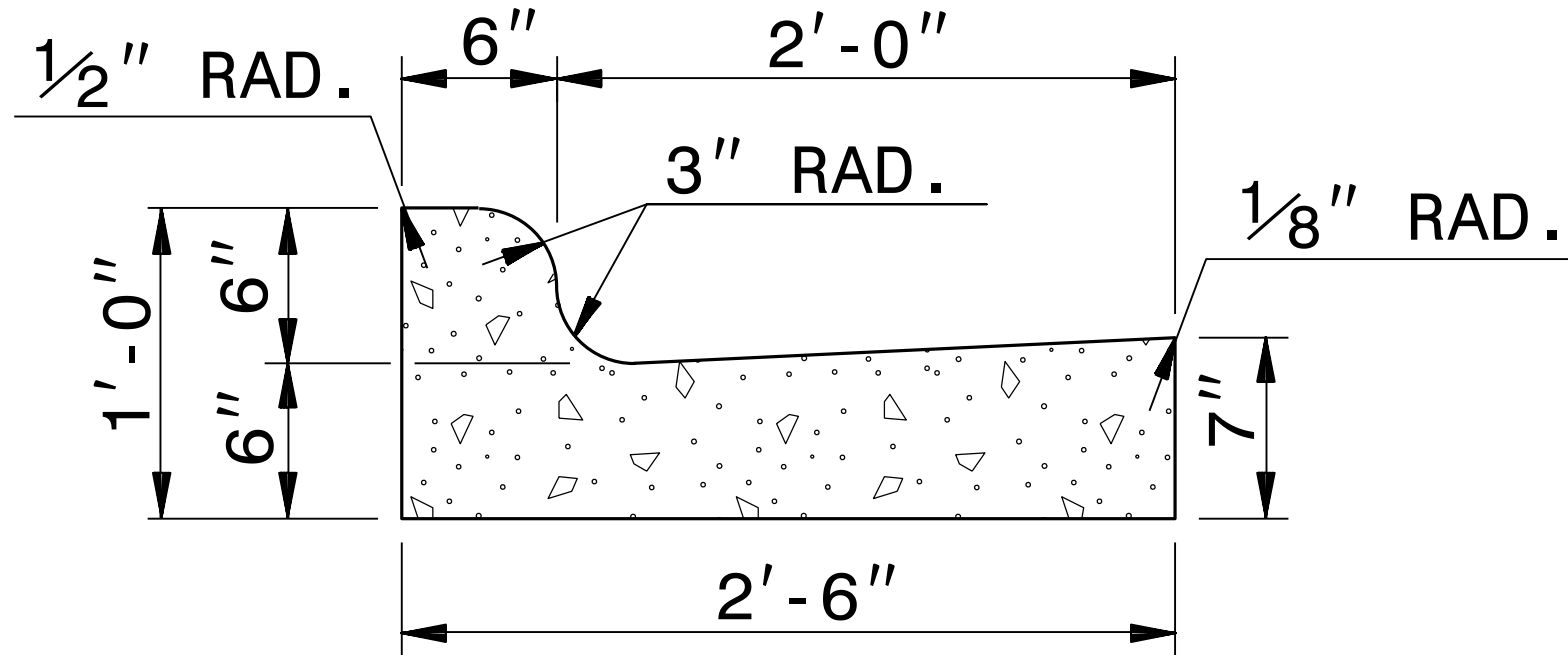
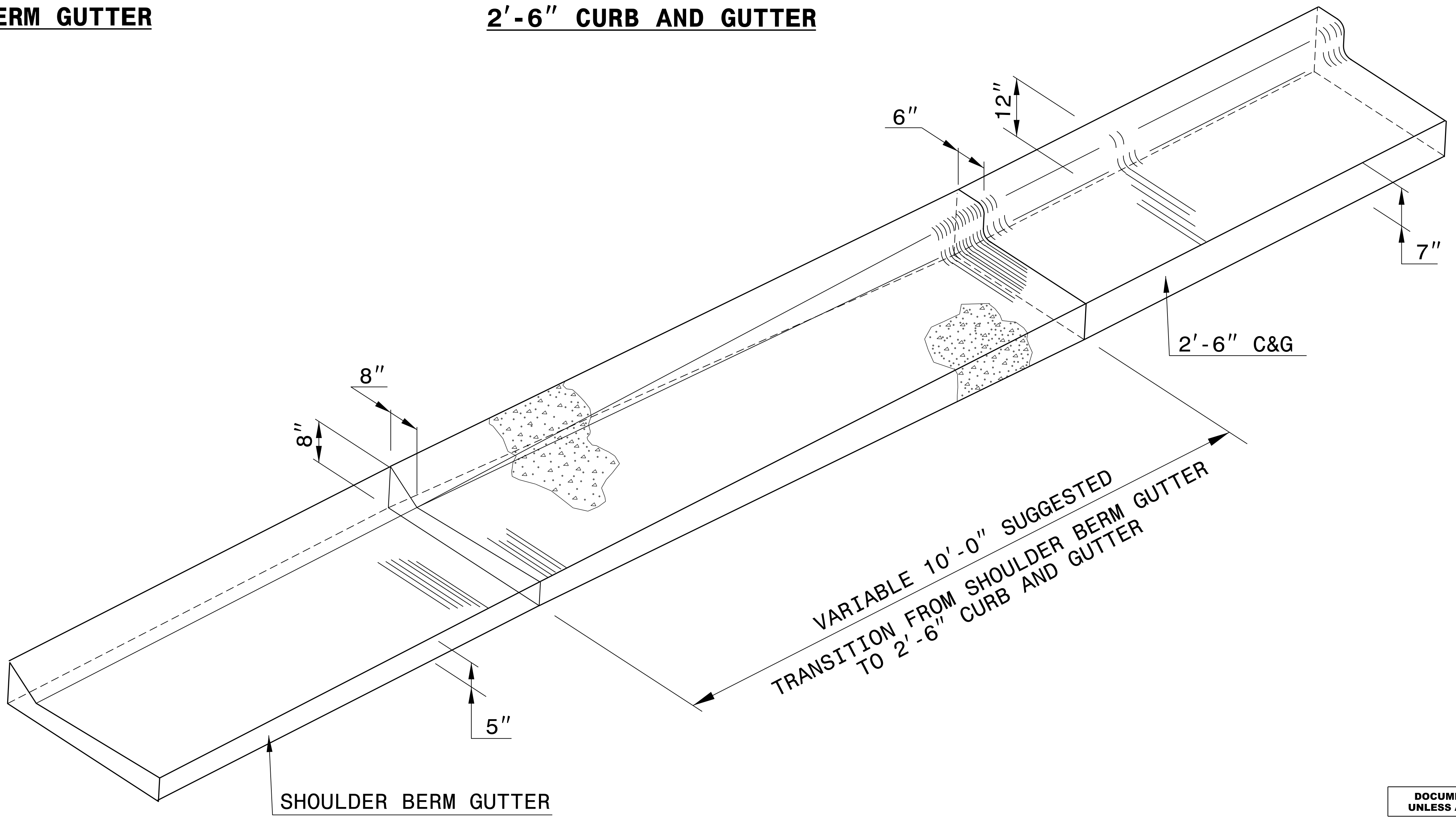


**SHOULDER BERM GUTTER**

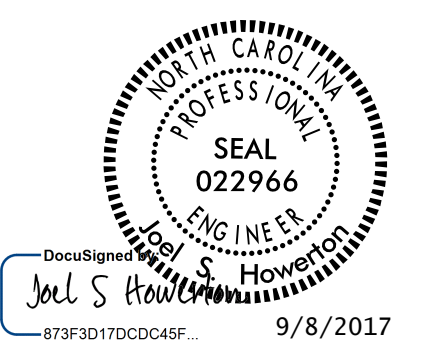


**2'-6" CURB AND GUTTER**

\*NOTE: SEE STD. DWG. 846.01 FOR GENERAL NOTES



**ISOMETRIC VIEW OF TRANSITION**



DOCUMENT NOT CONSIDERED FINAL UNLESS ALL SIGNATURES COMPLETED

**CONTRACT STANDARDS AND DEVELOPMENT UNIT**  
 Office 919-707-6950 FAX 919-250-4119

**DETAIL OF SHOULDER BERM GUTTER TO 2'-6" CURB & GUTTER TRANSITION SECTION**

ORIGINAL BY: E.E. WARD DATE: 5-29-02  
 MODIFIED BY: DATE: \_\_\_\_\_  
 CHECKED BY: DATE: \_\_\_\_\_  
 FILE SPEC.: /usr/details/stand/cgtransit.dgn

08-SEP-2017 08:41 S:\Contracts\ContractDetails\stand\c&g transition sections.dgn Jhowerton AT USD-292595